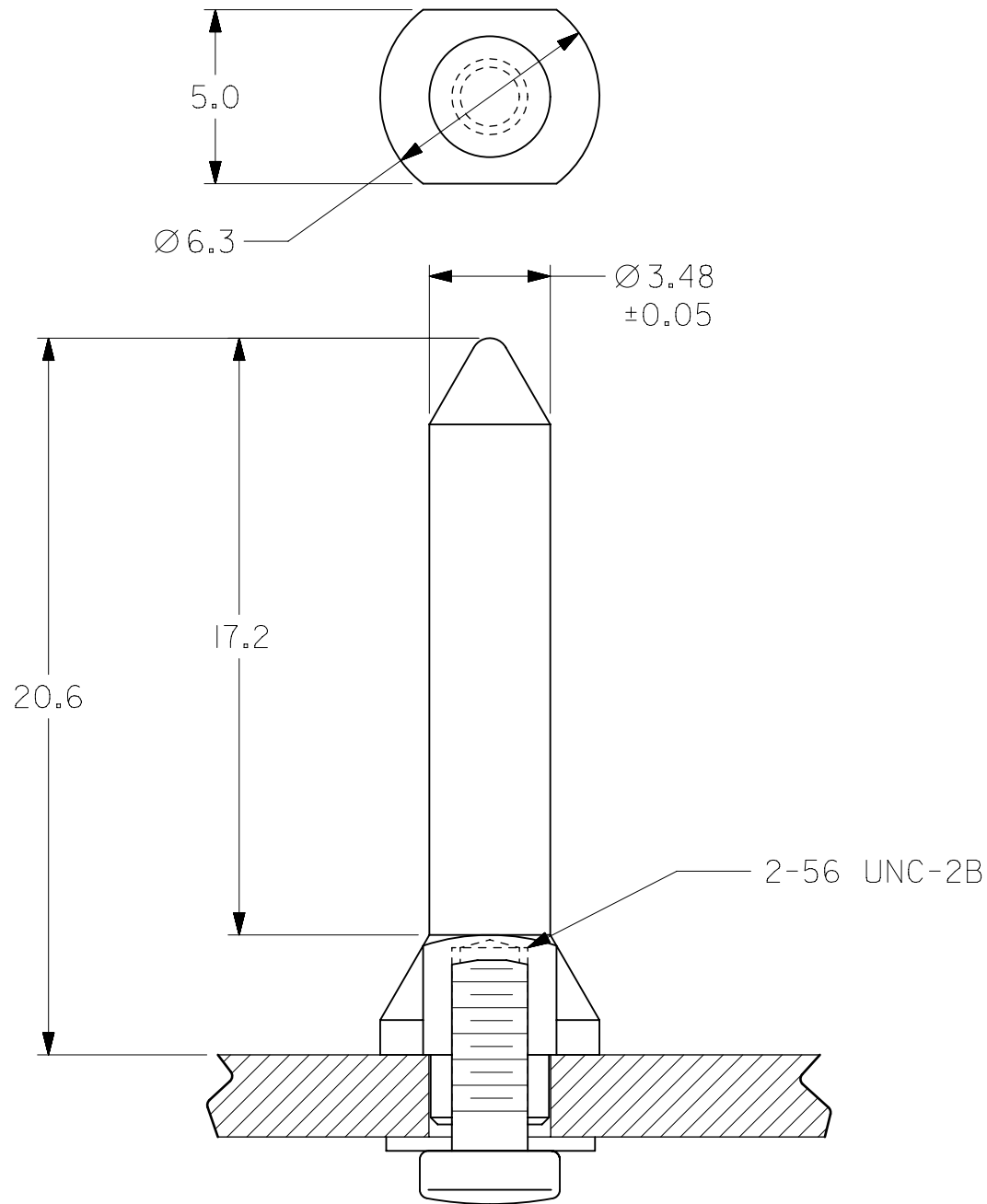
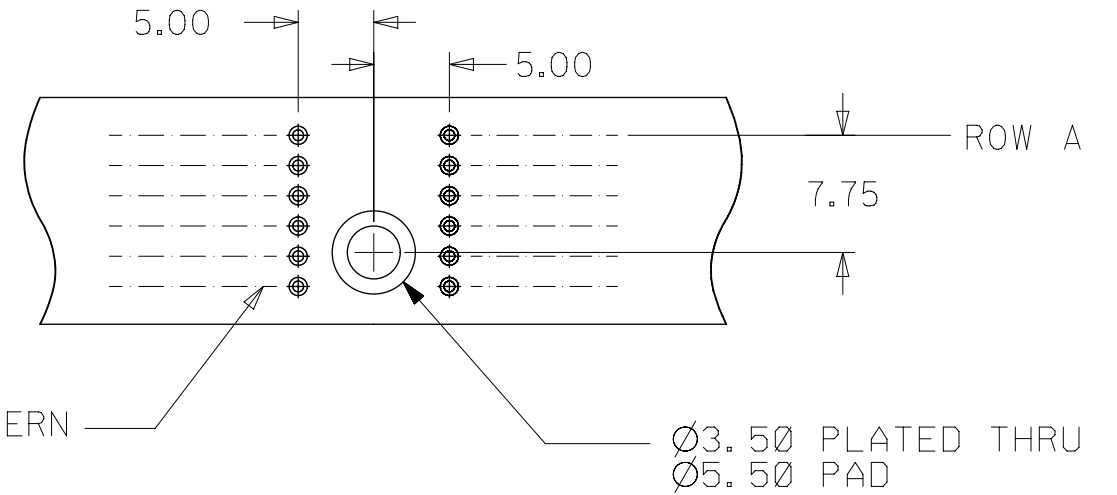


PART NUMBER	DESCRIPTION	SEMS SCREW	BOARD THICKNESS
73962-0000	STAND ALONE POST	NOT SUPPLIED	VARIOUS
73962-2000	KIT: POST w/ SCREW	<b>73774-1015</b>	<b>2.50 - 5.25 mm</b>

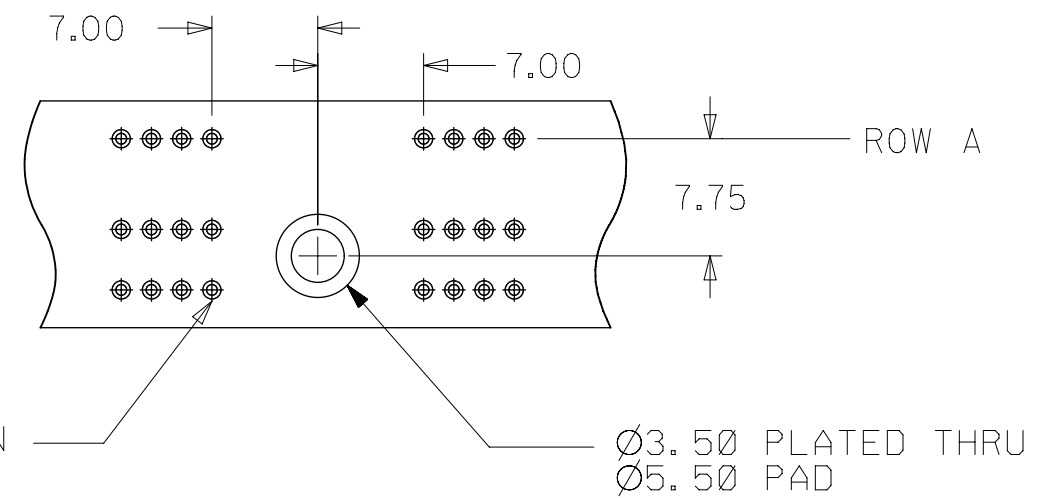


- NOTES:
1. MATERIAL: STAINLESS STEEL
  2. FINISH: PASSIVATE
  3. THIS PART CONFORMS TO MOLEX PRODUCT SPECIFICATION PS-73670-9999
  4. PARTS ARE BULK PACKED

BACKPLANE SIGNAL HOLE PATTERN  
SCALE 2:1



BACKPLANE POWER HOLE PATTERN  
SCALE 2:1



PRE-RELEASE  
REFERENCE  
USE ONLY

THIS DRAWING CONTAINS INFORMATION THAT IS PROPRIETARY TO MOLEX ELECTRONIC TECHNOLOGIES, LLC AND SHOULD NOT BE USED WITHOUT WRITTEN PERMISSION											
DIMENSION UNITS <b>mm</b>		SCALE <b>5:1</b>		CURRENT REV DESC: REMOVED OBSOLETE PART NUMBER AS PER PCN#511698.				<b>molex</b>			
GENERAL TOLERANCES (UNLESS SPECIFIED)				EC NO: 742551							
				DRWN: SANTHN 2023/03/30				HDM BACKPLANE MODULE GUIDE POST SALES ASSEMBLY			
4 PLACES ±				CHK'D: GGA 2023/05/12				PRODUCT CUSTOMER DRAWING			
3 PLACES ±				APPR: GGA 2023/05/12				DOCUMENT NUMBER			
2 PLACES ± 0.13				INITIAL REVISION:				SD-73962-002		DOC TYPE	
1 PLACE ± 0.25				DRWN: J JONIAK 2005/09/29				PSD		DOC PART	
0 PLACES ±				APPR: J JONIAK 2005/09/29				001		REVISION	
ANGULAR TOL ± 0.5°				THIRD ANGLE PROJECTION				G			
DRAFT WHERE APPLICABLE MUST REMAIN WITHIN DIMENSIONS				DRAWING <b>B-SIZE</b>		SERIES <b>73962</b>		MATERIAL NUMBER SEE CHART		CUSTOMER GENERAL MARKET	
								SHEET NUMBER 1 OF 1			