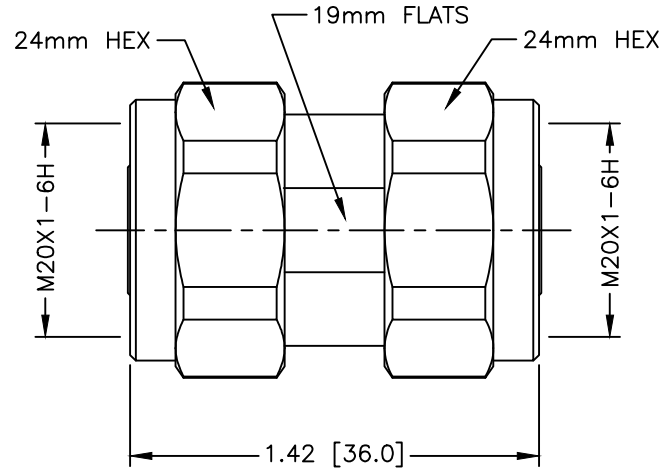


PART NO.		<b>RFD-4195-1951</b>		
REV	DESCRIPTION	DWN	DATE	APPROVED
-	ENGINEERING RELEASE	CZS	04/04/18	JDMc



### SPECIFICATIONS:

IMPEDANCE: 50Ω  
 FREQUENCY RANGE: 0-3 GHz  
 VSWR: ≤1.08  
 3RD INTERMODULATION: ≤-155 dBc @ 700 MHz  
 INSULATION RESISTANCE: 5000 MΩ  
 DIELECTRIC WITHSTANDING VOLTAGE: ≥2500 VRMS,  
 50Hz, @ SEA LEVEL  
 DURABILITY: 500 MATING CYCLES  
 TEMPERATURE RANGE: -40°C TO 85°C

CUSTOMER OUTLINE DRAWING	
ALL DIMENSIONS ARE REFERENCE ONLY	
UNLESS OTHERWISE SPECIFIED: DIMENSIONS ARE IN INCHES AND [MILLIMETERS]	
DRAWN	04/04/18
C. ZUNIGA	
CHECKED	
ORJ DRAWN	04/04/18
C. ZUNIGA	

**RoHS  
COMPLIANT**

PROPRIETARY AND CONFIDENTIAL  
 THIS DRAWING CONTAINS  
 INFORMATION PROPRIETARY TO  
 RF INDUSTRIES. ANY  
 UNAUTHORIZED USE OF THIS  
 DRAWING IS EXPRESSLY  
 PROHIBITED WITHOUT WRITTEN  
 PERMISSION FROM RF  
 INDUSTRIES. ANY VIOLATION IS  
 PUNISHABLE UNDER U.S.  
 COPYRIGHT LAWS.

**RFconnectors**  
 DIVISION OF RF INDUSTRIES, LTD. (858) 549-6345 FAX  
 7610 MIRAMAR RD.  
 SAN DIEGO, CA 92126  
 (858) 549-6340

## 4.1-9.5 PLUG BARREL ADAPTER

#	DESCRIPTION	QTY	MATERIAL	FINISH
5	SHELL	2	BRASS	WHITE BRONZE
4	O-RING	2	RUBBER	---
3	CONTACT	1	BRASS	SILVER
2	INSULATOR	1	PTFE	---
1	BODY	1	BRASS	WHITE BRONZE

SIZE	CABLE GROUP	DWG NO.	REV
A	N/A	<b>RFD-4195-1951</b>	---
SCALE:	ENGINEERING ID:	SHEET 1 OF 1	
NTS	000000		