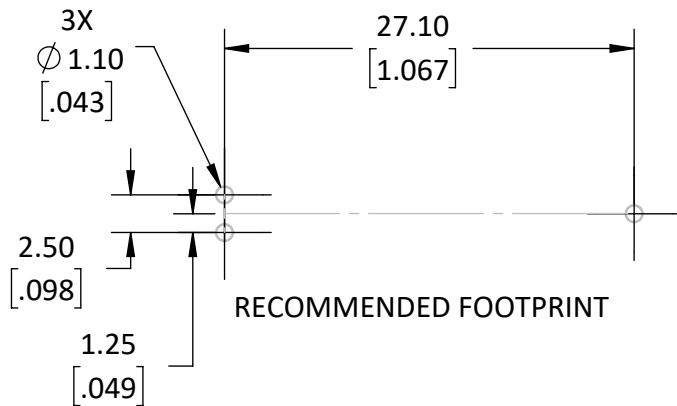


NOTES: (UNLESS OTHERWISE SPECIFIED)

1. ALL DIMENSIONS ARE IN MILLIMETERS [IN].
2. DIMENSIONS APPLY AFTER FINISHING.
3. MANUFACTURE TO BE COMPLIANT WITH EU RoHS DIRECTIVE, USE MATERIALS THAT DO NOT CONTAIN REACH SUBSTANCES OF VERY HIGH CONCERN >1000ppm, AND USE DRC CONFLICT-FREE SOURCED MATERIALS.
4. ELECTRICAL SPECIFICATIONS ARE FOR LISTED FOR REFERENCE ONLY.
 1. CONTACT RESISTANCE: NTE 30mΩ
 2. INSULATION RESISTANCE: 1GΩ MAX
 3. DIELECTRIC RESISTANCE: 500VAC
5. MECHANICAL PROPERTIES
 1. MATERIAL: LPC, WHITE, UL94V-0
 2. OPERATING TEMPERATURE: -25° - +85°C
 3. THROUGH HOLE DIAMETER 1.20mm
6. PACKAGE IN TRAY



WARNING: THIS DRAWING CONTAINS PROPRIETARY INFORMATION THAT IS THE SOLE PROPERTY OF LINX TECHNOLOGIES, AND SHALL BE TREATED AS SUCH. NO DISCLOSURE OR REPRODUCTION OF THIS DOCUMENT IS PERMITTED, IN WHOLE OR IN PART, WITHOUT THE EXPRESS WRITTEN PERMISSION OF LINX TECHNOLOGIES OR ITS DESIGNATED AGENTS.

MATERIAL:	INTERPRET DIMENSIONS AND TOLERANCES PER ASME Y14.5.		PROJECTION:
LCP CuSnP	X ± .5 .XX ± .20 .XXX ± .100	ANGLES: ±1° SURFACE: √	
FINISH: WHITE Sn 100μ"	DRAWN: JHAGER	DT: 5/27/22	
	ENGR: SHAWN H	DT: 5/27/22	

Linx

159 ORT LANE
MERLIN, OR 97532

TITLE:
**BATTERY HOLDER THRU MOUNT
CR2032 SOLDER**

SIZE	DWG. NO.	REV
A	BAT-HLD-014-THM	A
SCALE: 2:1	DO NOT SCALE DRAWING	SHEET 1 OF 1