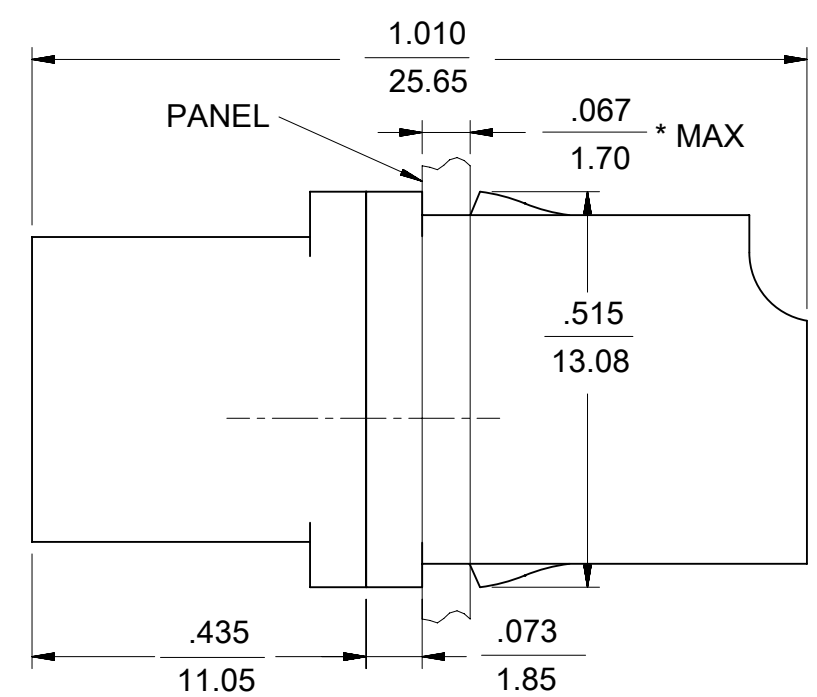
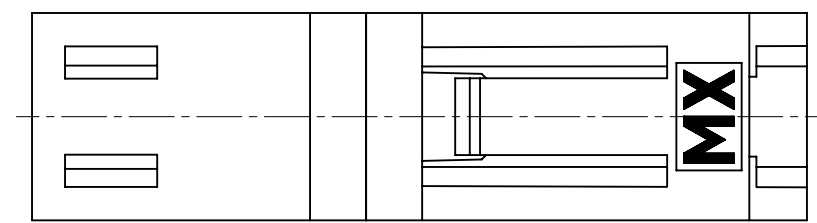
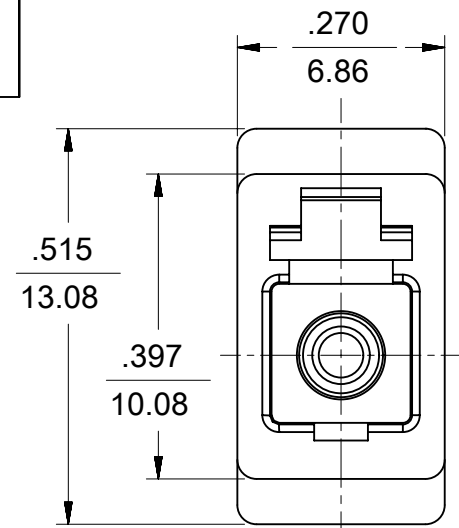
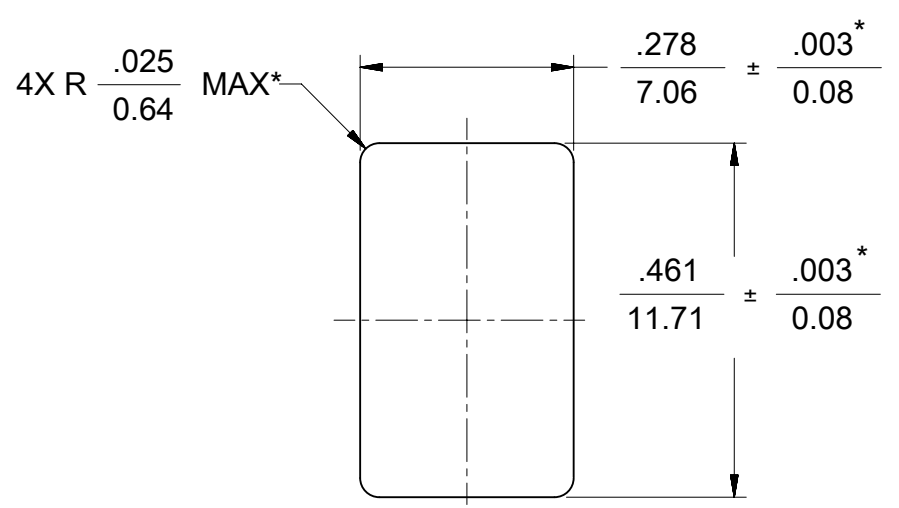
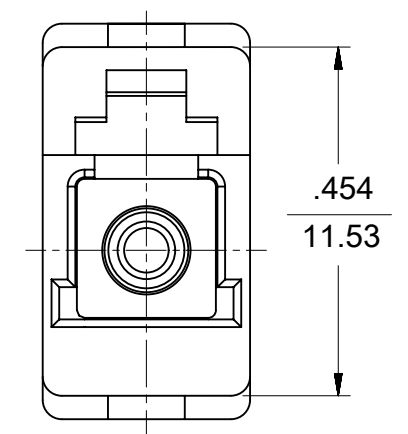


ADAPTER P/N	COLOR	SPLIT SLEEVE MATERIAL
106124-1000	BLUE	ZIRCONIA - ZrO <sub>2</sub>
106124-0010	BEIGE	
106124-1050	GREEN	
106124-0000	BLUE	
106124-1010	BEIGE	



(DUST CAPS ARE NOT SHOWN)



RECOMMENDED PANEL CUTOUT  
 PANEL THICKNESS  $\frac{.067}{1.70}$  MAX.

NOTES:  
 1. ALL DIMENSIONS ARE FOR REFERENCE ONLY, EXCEPT WHEN MARKED WITH (\*).

THIS DRAWING CONTAINS INFORMATION THAT IS PROPRIETARY TO MOLEX ELECTRONIC TECHNOLOGIES, LLC AND SHOULD NOT BE USED WITHOUT WRITTEN PERMISSION											
DIMENSION UNITS <b>IN/MM</b>		SCALE <b>4:1</b>		CURRENT REV DESC:						<b>molex</b>	
GENERAL TOLERANCES (UNLESS SPECIFIED)				EC NO: 652962							
		MM	INCH	DRWN: SKRISHNAMU01		2021/05/28		LC ADAPTER, LOW PROFILE			
4 PLACES ±				CHK'D: WCHEN		2021/08/24		PRODUCT CUSTOMER DRAWING			
3 PLACES ±				APPR: WCHEN		2021/08/24		DOCUMENT NUMBER			
2 PLACES ±				INITIAL REVISION:				SD-106124-0000			
1 PLACE ±				DRWN: PGIPLIN		2005/10/03		DOC TYPE DOC PART REVISION			
0 PLACES ±				APPR:				PSD 001 C			
ANGULAR TOL ± 0.5°				THIRD ANGLE PROJECTION		DRAWING		MATERIAL NUMBER			
DRAFT WHERE APPLICABLE MUST REMAIN WITHIN DIMENSIONS				B-SIZE		SERIES		CUSTOMER			
				106124		SEE TABLE		GENERAL MARKET			
						SHEET NUMBER		1 OF 1			