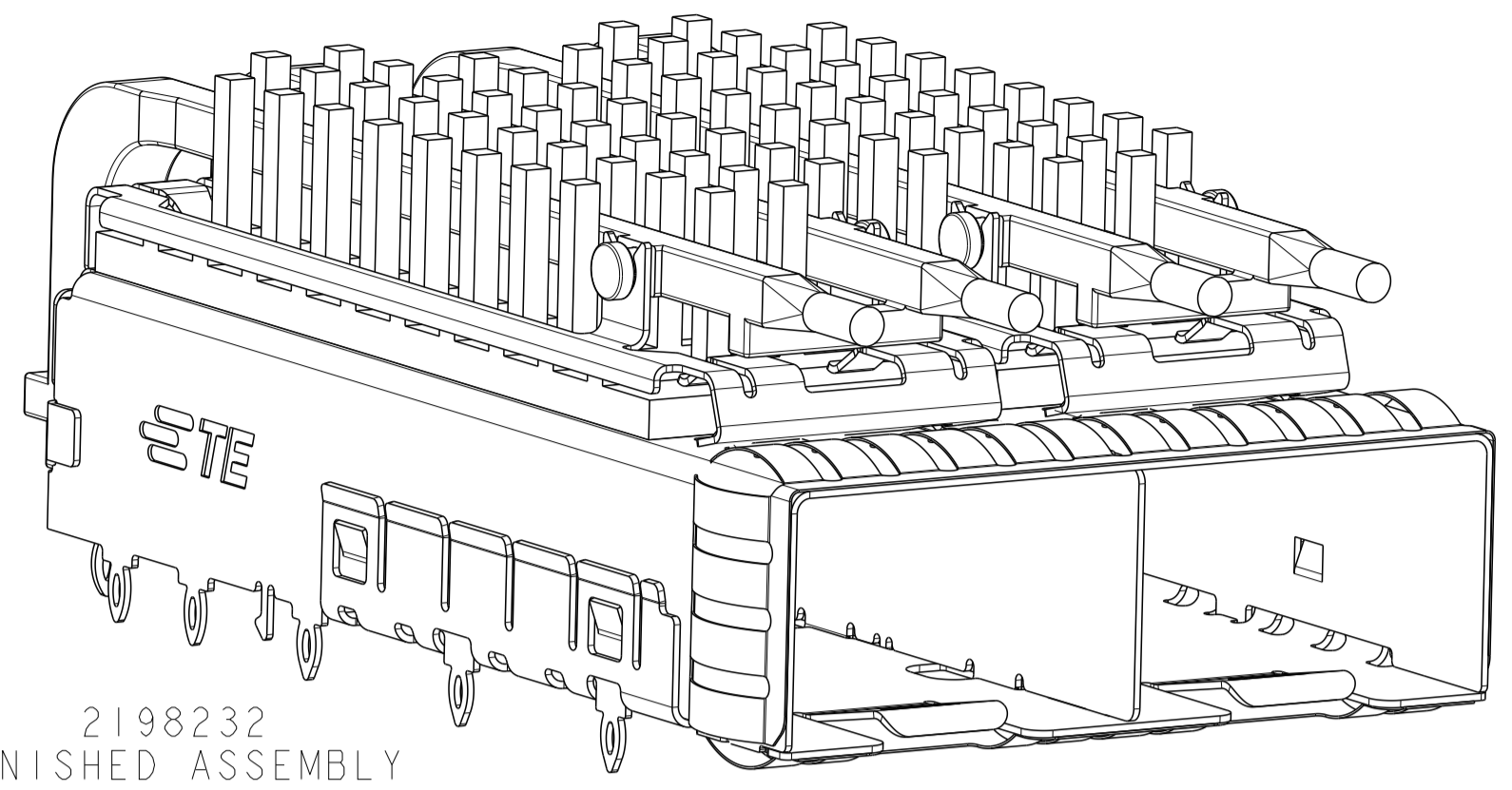


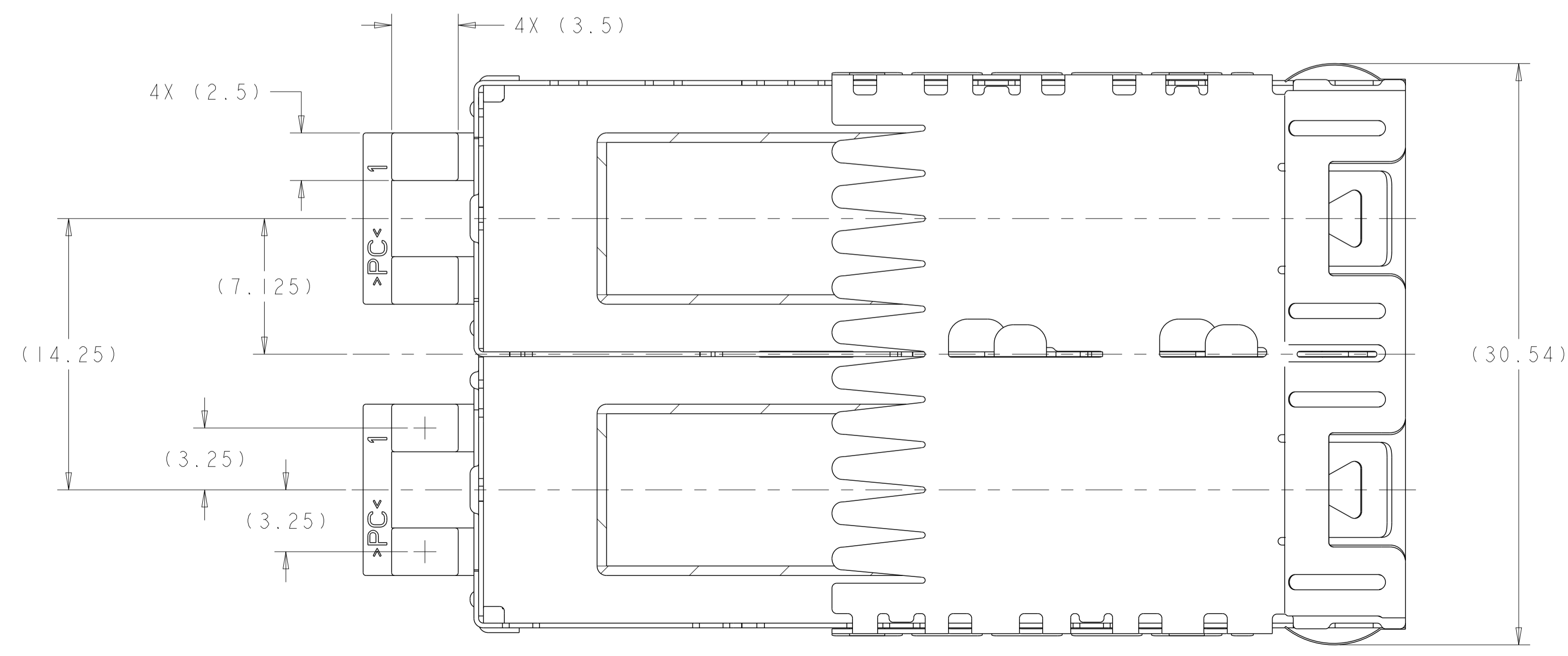
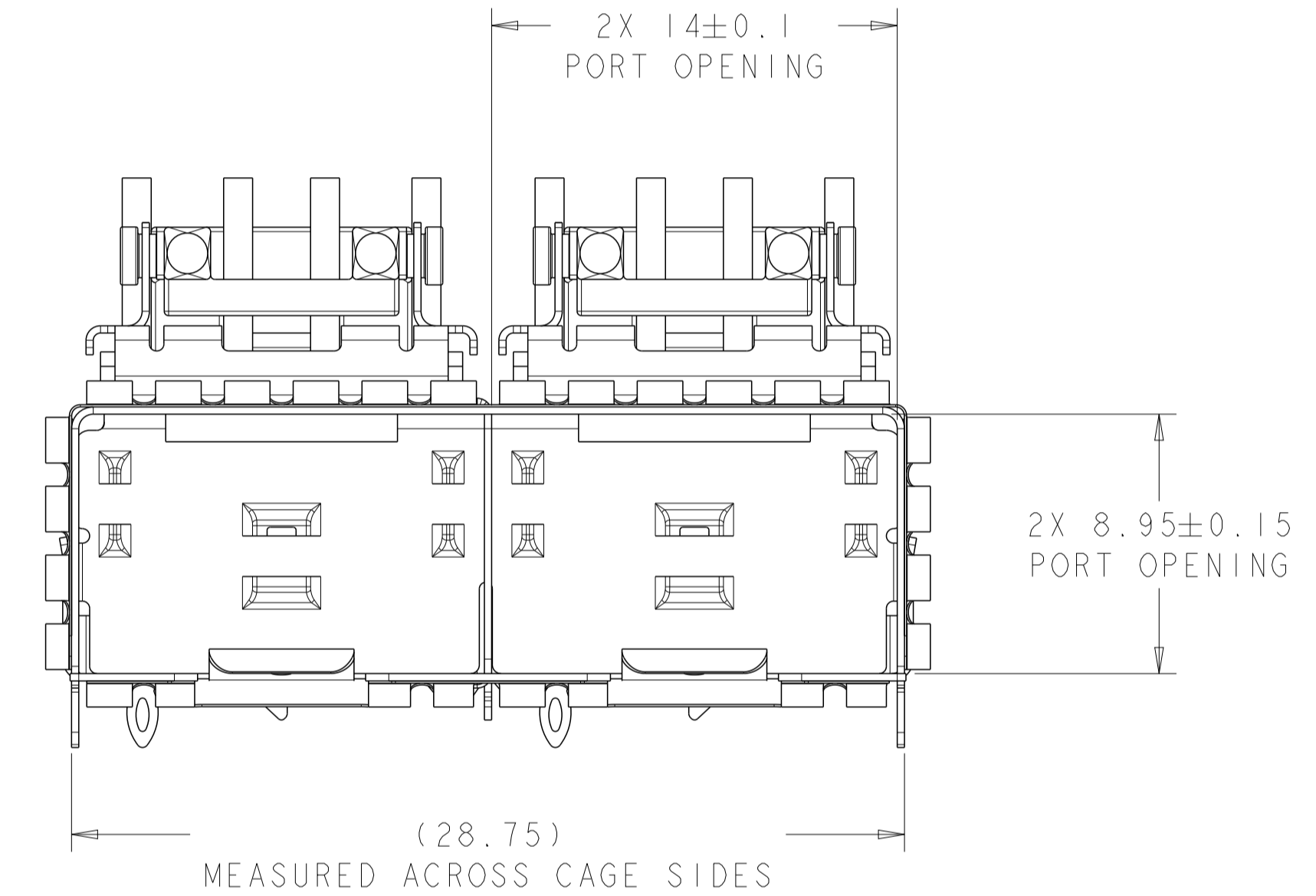
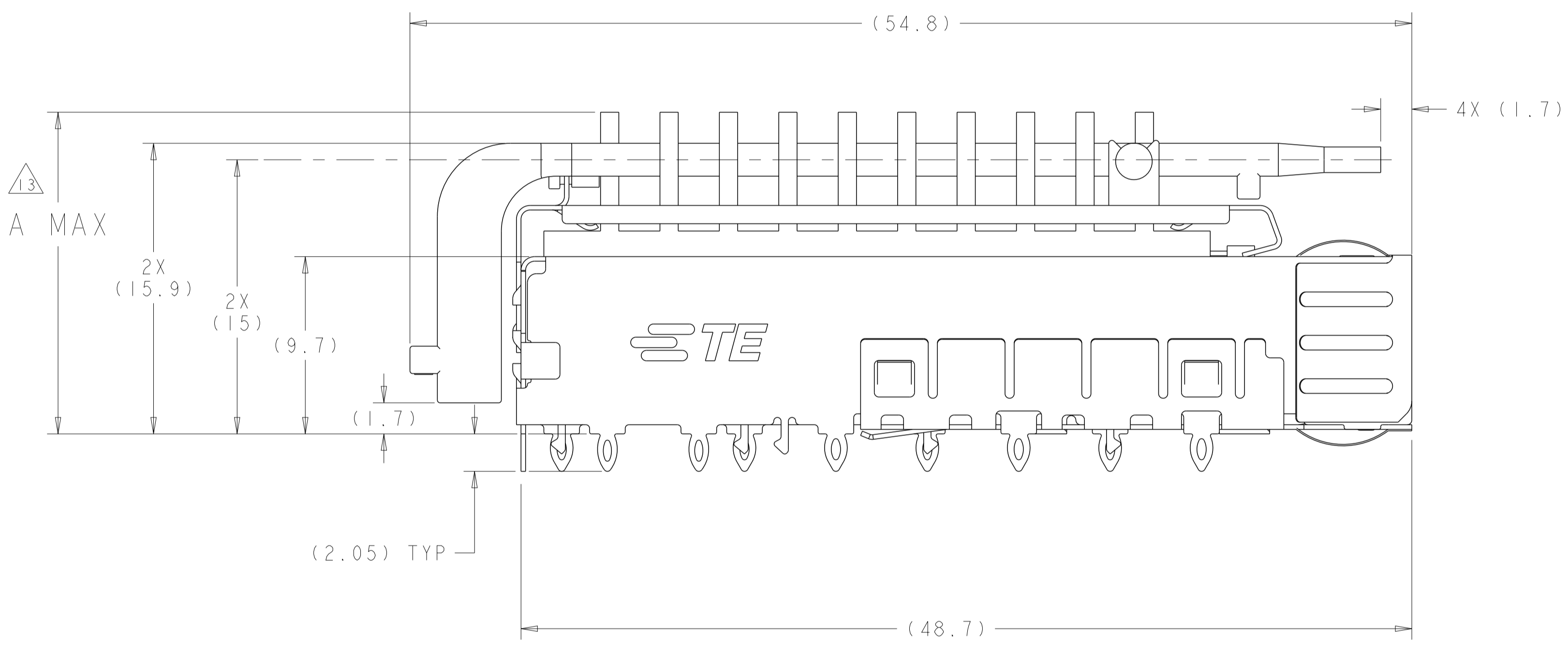
LOC	DIST	REVISIONS					
GP	00	P	LTN	DESCRIPTION	DATE	DWN	APVD
		A		RELEASED PER ECO-12-013192	08OCT2012	BMM	MRS
		A1		RELEASED PER ECO-14-008488	06JUN2014	PP	SH
		A2		RELEASED PER ECN-22-178209	08OCT2022	CZ	SZ



2198232
 FINISHED ASSEMBLY
 SCALE 4:1

- △ MATERIAL:
 CAGE ASSEMBLY: 0.25mm THICK NICKEL SILVER ALLOY
 EMI SPRINGS: COPPER ALLOY
 HEAT SINK: ALUMINUM
 HEAT SINK/LIGHTPIPE CLIP: STAINLESS STEEL.
 LIGHTPIPE: POLYCARBONATE, CLEAR
- △ FINISH:
 SPRINGS: MINIMUM OF 0.8um TIN PLATE OVER MINIMUM OF 0.8um NICKEL UNDERPLATE. NON-PLATED EDGES PERMISSIBLE.
 HEAT SINK: ELECTROLESS NICKEL
 HEAT SINK CLIP: PASSIVATE.
- △ DATUM AND BASIC DIMENSIONS ESTABLISHED BY CUSTOMER.
- △ PADS AND VIAS CHASSIS GROUND.
- 5. MATES WITH SFP MSA COMPLIANT RECEIVERS.
- 6. INTERPRETATION OF DATUM REFERENCE FRAME IN ACCORDANCE WITH SECT 4.4.1.1 OR ASME Y14.5M-1994.
- △ MINIMUM PC BOARD THICKNESS:
 SINGLE SIDED: 1.5mm
 DOUBLE SIDED: 2.25mm
- △ HOLE PATTERN REPEATS FOR EACH PORT, SPACING BETWEEN PORTS IS 14.25mm.
- △ REFERENCE APPLICATION SPEC. 114-13120, HOLE A, FOR RECOMMENDED DRILL HOLE DIAMETER AND PLATING THICKNESS.

- △ REFERENCE APPLICATION SPEC. 114-13120, HOLE B, FOR RECOMMENDED DRILL HOLE DIAMETER AND PLATING THICKNESS.
- 11. CERTAIN MATING TRANCEIVERS MAY REQUIRE ADDITIONAL PCB THICKNESS THAT WOULD NEED TO BE DETERMINED BY THE CUSTOMER.
- 12. PRODUCT COMPLIES WITH SPECIFICATION SFF-8433 IMPROVED PLUGGABLE FORM FACTOR FOR SFP+ GANGED CAGES.
- △ DIMENSION APPLIES PRIOR TO INSERTION OF SFP MODULE.
- △ HEATSINK, HEATSINK CLIP, AND LIGHTPIPE SHIPPED UNASSEMBLED TO CAGE ASSEMBLY. CAGE ASSEMBLY TO BE PRESSED INTO PCB PRIOR TO ATTACHING HEATSINK, HEATSINK CLIP, AND LIGHTPIPE TO THE CAGE ASSEMBLY.
- △ PACKAGED AS A COMPLETE ASSEMBLY.
- △ WITH PAINTED LIGHT PIPE, FOUR SIDES BE PAINTED.



△13	13.2	PCI	3-2198232-1
△13	13.2	PCI	2198232-5
△13	13.2	PCI	2-2198232-1
△13	22.5	NETWORKING, TALL	2198232-4
△13	18.1	NETWORKING, SHORT	2198232-3
△13	15.5	SAN	2198232-2
△13	13.2	PCI	2198232-1
	A MAX	DESCRIPTION	PART NUMBER

THIS DRAWING IS A CONTROLLED DOCUMENT.

DIMENSIONS: mm

TOLERANCES UNLESS OTHERWISE SPECIFIED:

0 PLC	±0.13
1 PLC	±0.1
2 PLC	±0.08
3 PLC	±0.05
4 PLC	±0.05
ANGLES	±0.5
FINISH	±0.1

MATERIAL: △1

FINISH: △2

Customer Drawing

APVD: B. MATTHEWS, 01NOV2011
 CHK: M. SCHMITT, 01NOV2011
 NAME: M. SCHMITT, 01NOV2011
 PRODUCT SPEC: 108-2364
 APPLICATION SPEC: 114-13120
 WEIGHT: -

STE TE Connectivity

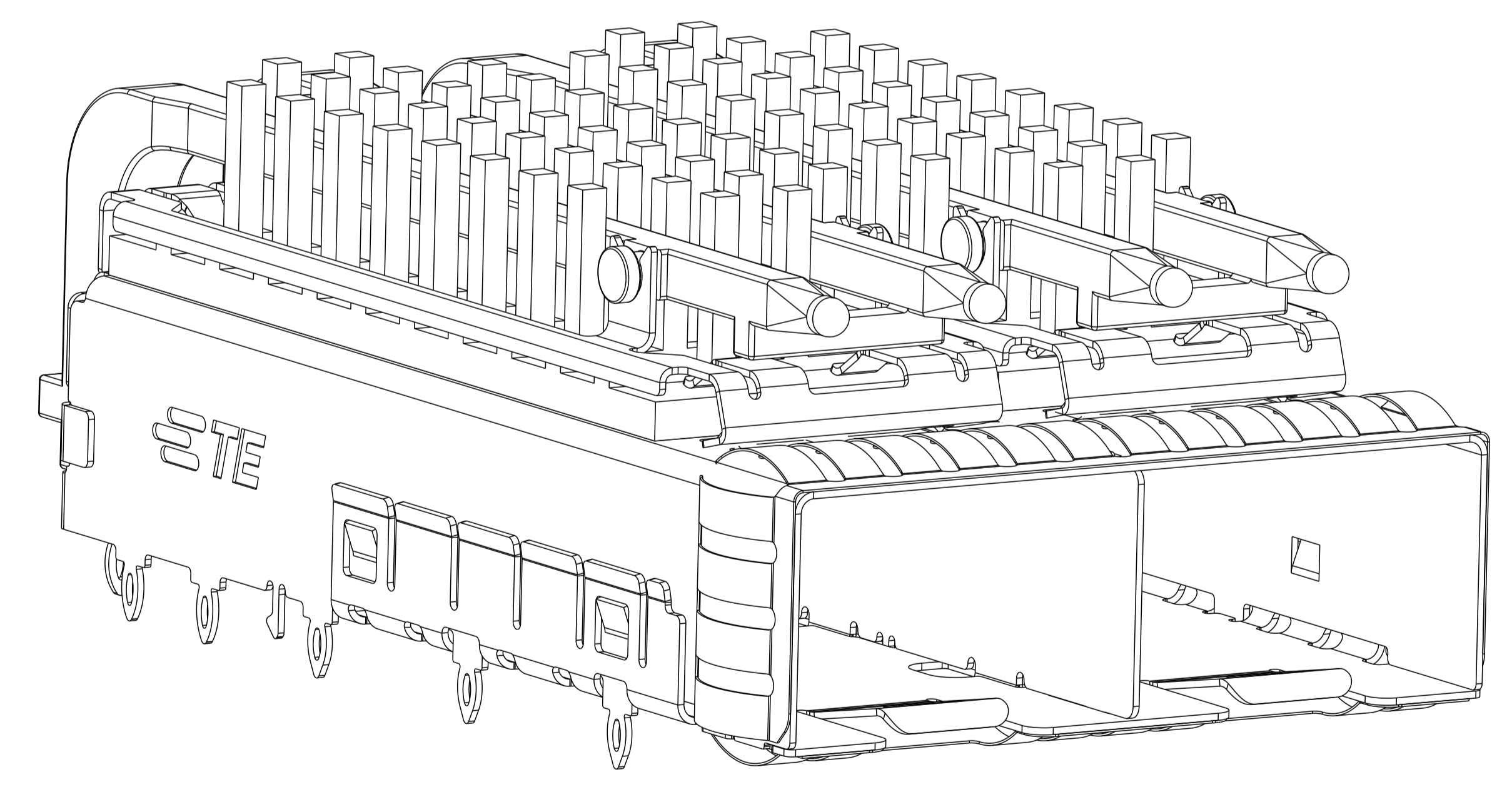
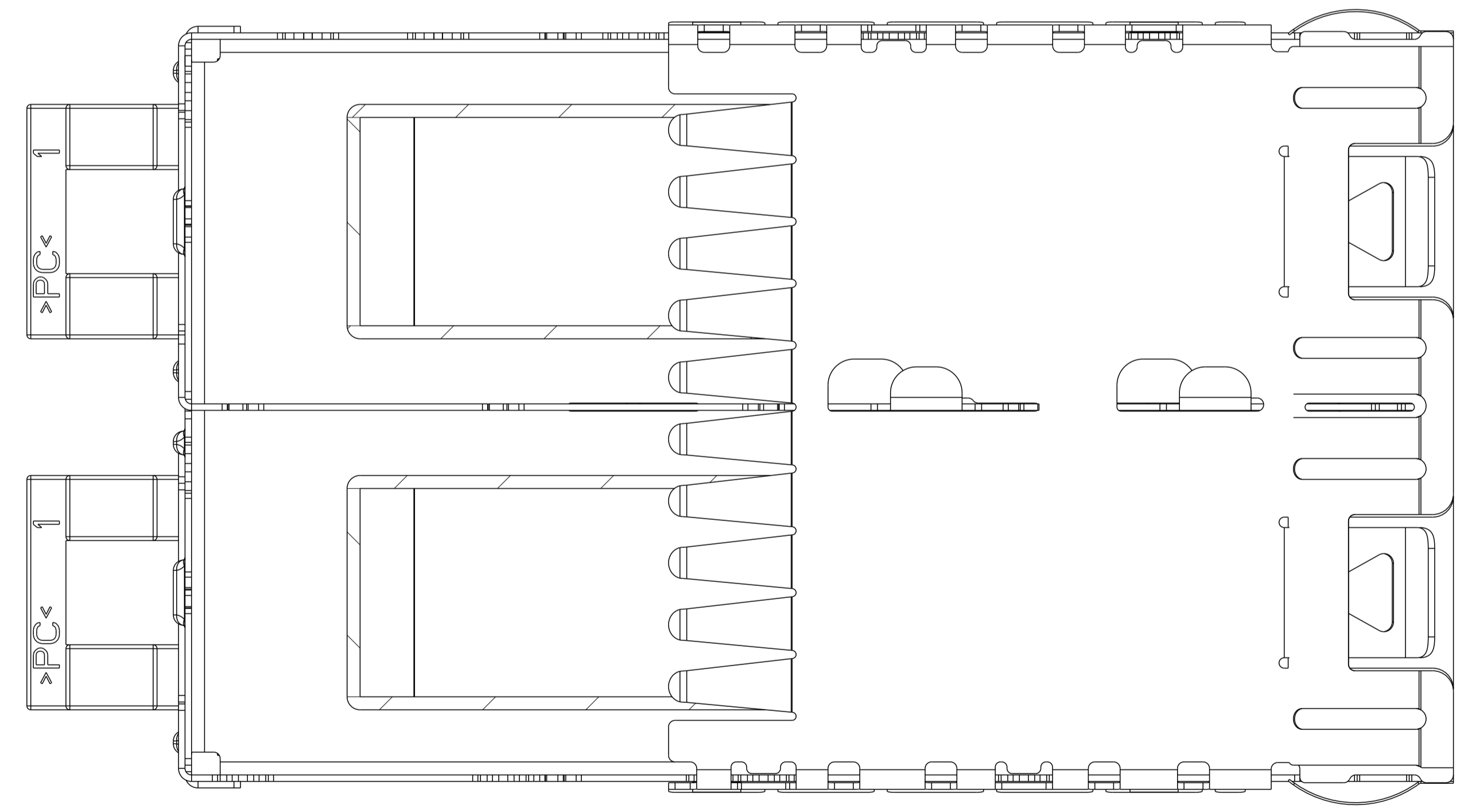
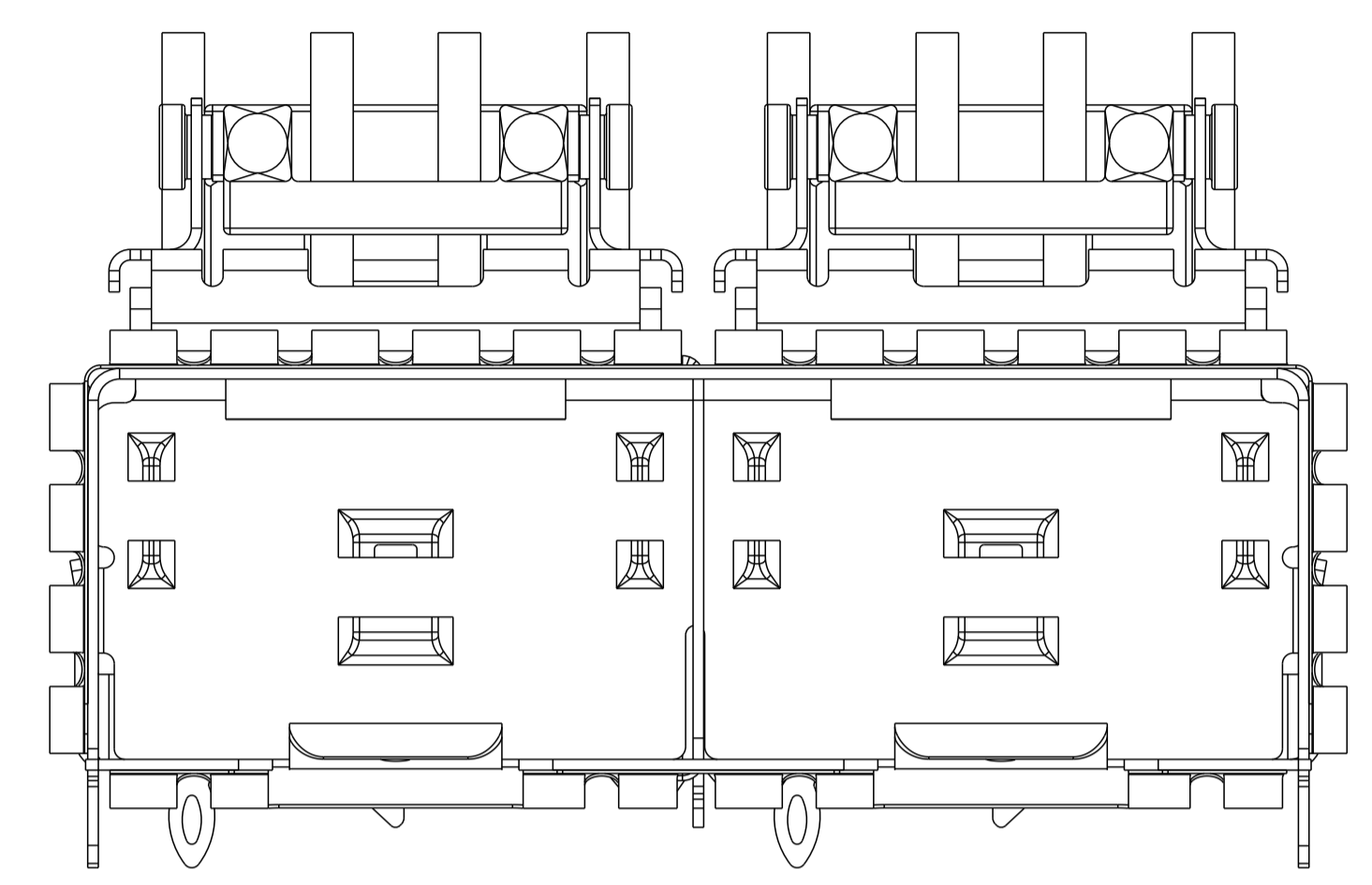
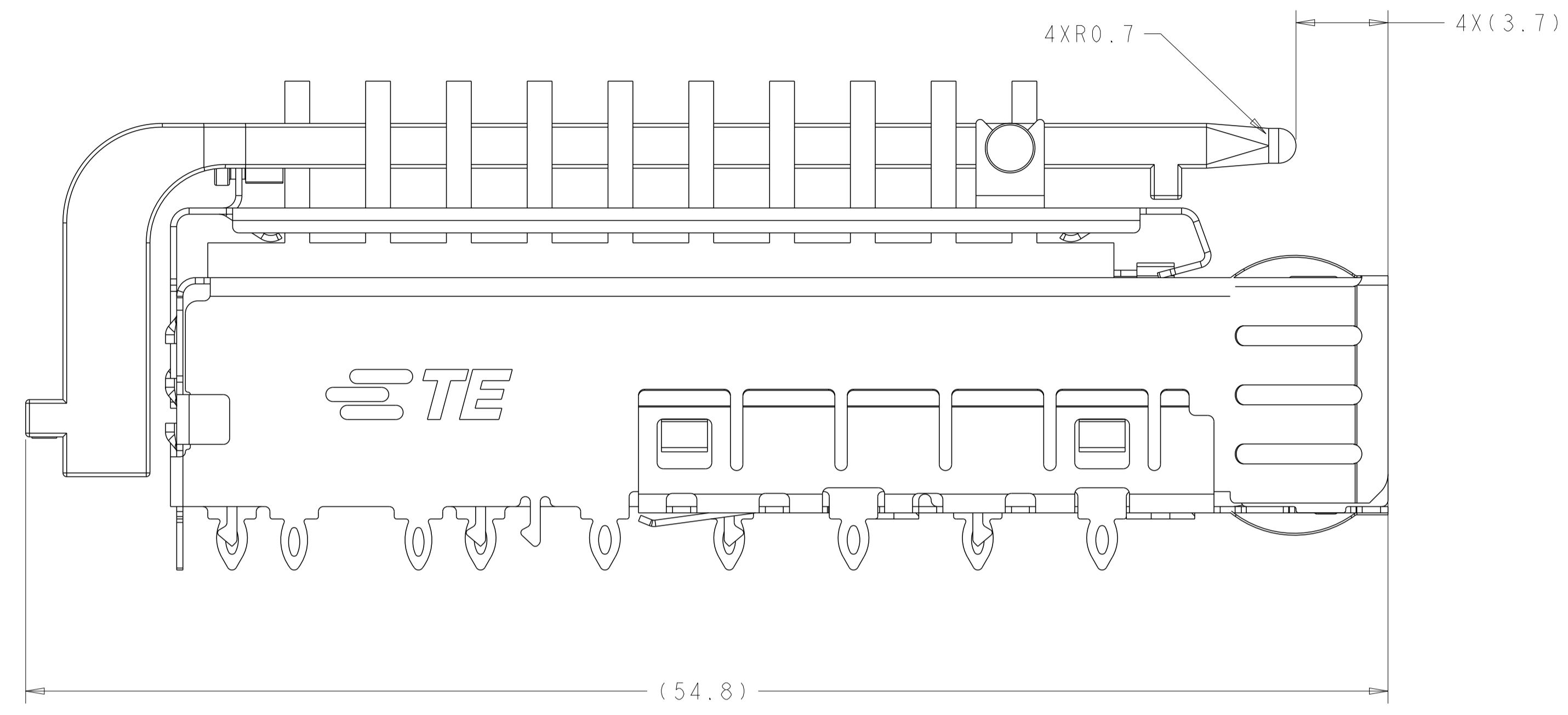
SFP+ ENHANCED 1X2 CAGE ASSEMBLY, PRESS-FIT, EXTERNAL EMI SPRINGS WITH HEATSINK AND LIGHTPIPE

SIZE: CAGE CODE | DRAWING NO: A100779 | DRAWING NO: 2198232

RESTRICTED TO: -

SCALE: 6:1 | SHEET: 1 OF 5 | REV: A2

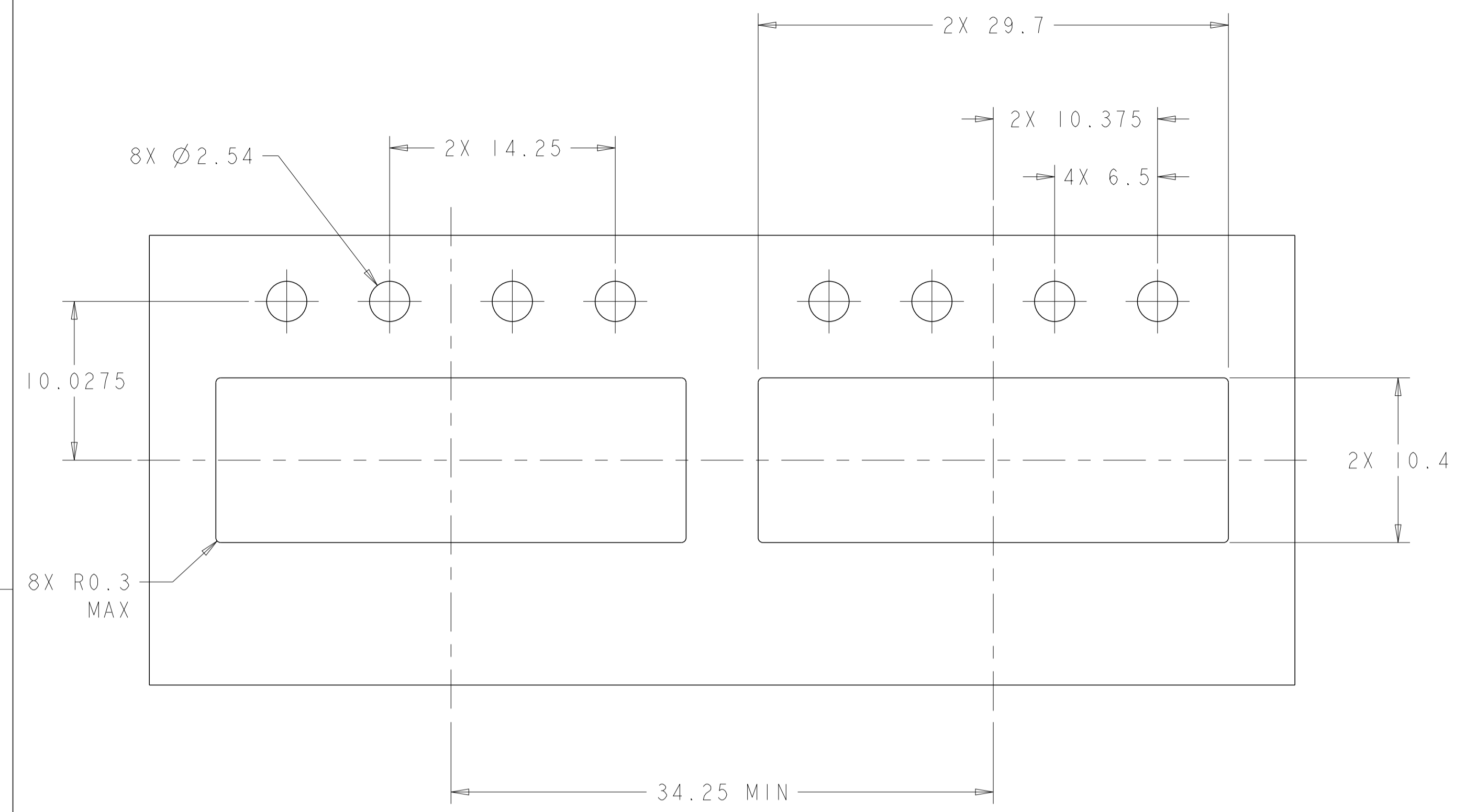
LOC		DIST		REVISIONS			
P	LYR	DESCRIPTION	DATE	OWN	APVD		
-	-	SEE SHEET 1	-	-	-		



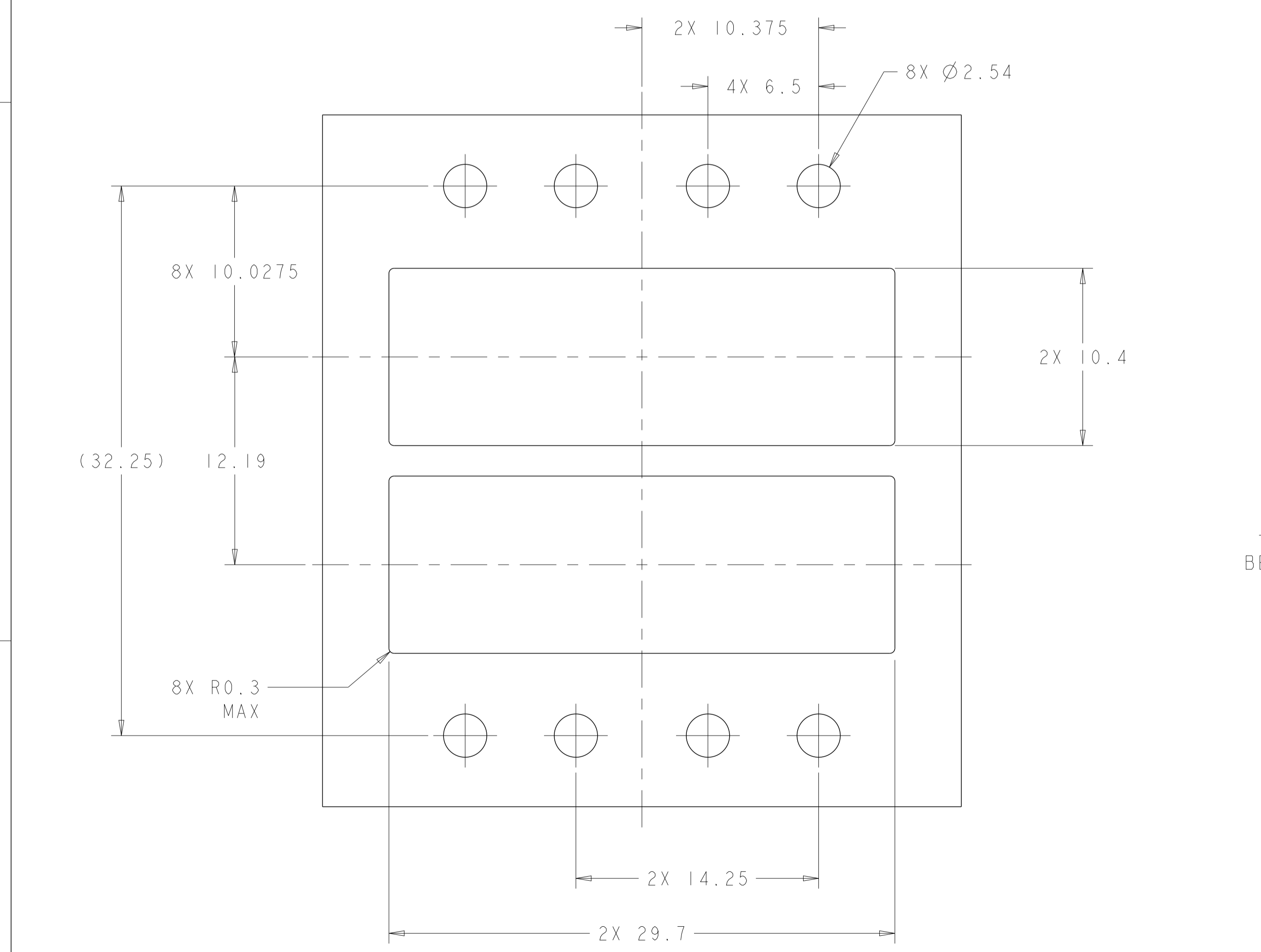
3-2198232-1
 UNMARKED DIMENSIONS SAME AS 2198232-1

THIS DRAWING IS A CONTROLLED DOCUMENT.		OWN B. MATTHEWS	01NOV2011	STE TE Connectivity
DIMENSIONS: mm		CHK M. SCHMITT	01NOV2011	
TOLERANCES UNLESS OTHERWISE SPECIFIED:		APVD M. SCHMITT	01NOV2011	NAME SFP+ ENHANCED 1X2 CAGE ASSEMBLY, PRESS-FIT, EXTERNAL EMI SPRINGS WITH HEATSINK AND LIGHTPIPE
0 PLC ±0.13		PRODUCT SPEC	108-2364	
1 PLC ±0.1		APPLICATION SPEC	114-13120	SIZE A1
2 PLC ±0.08		WEIGHT	-	
3 PLC ±0.05		RESTRICTED TO	-	SCALE 6:1
4 PLC ±0.05		Customer Drawing	Customer Drawing	
ANGLES ±1		SCALE	6:1	SHEET 2
FINISH		OF	5	
MATERIAL		REV	A2	

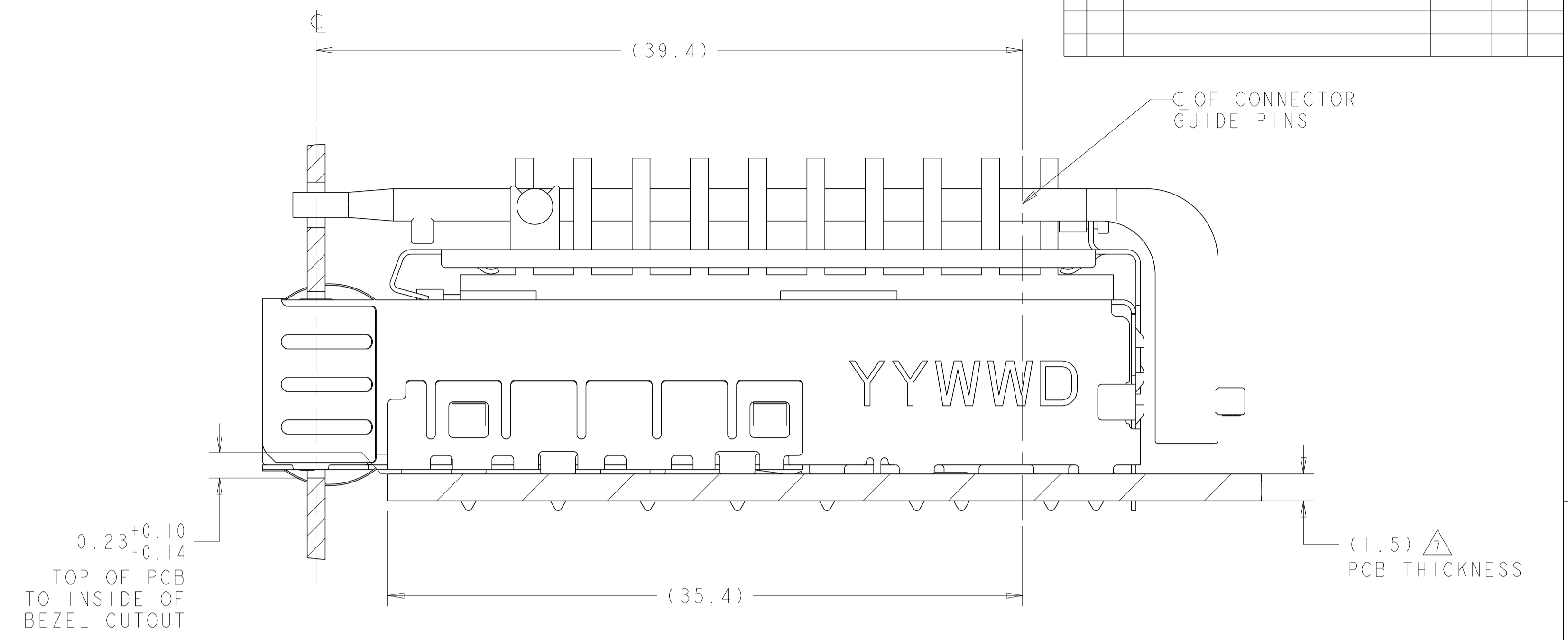
LOC	DIST	REVISIONS					
GP	00	P	LTN	DESCRIPTION	DATE	OWN	APVD
-	-	-	-	SEE SHEET 1	-	-	-



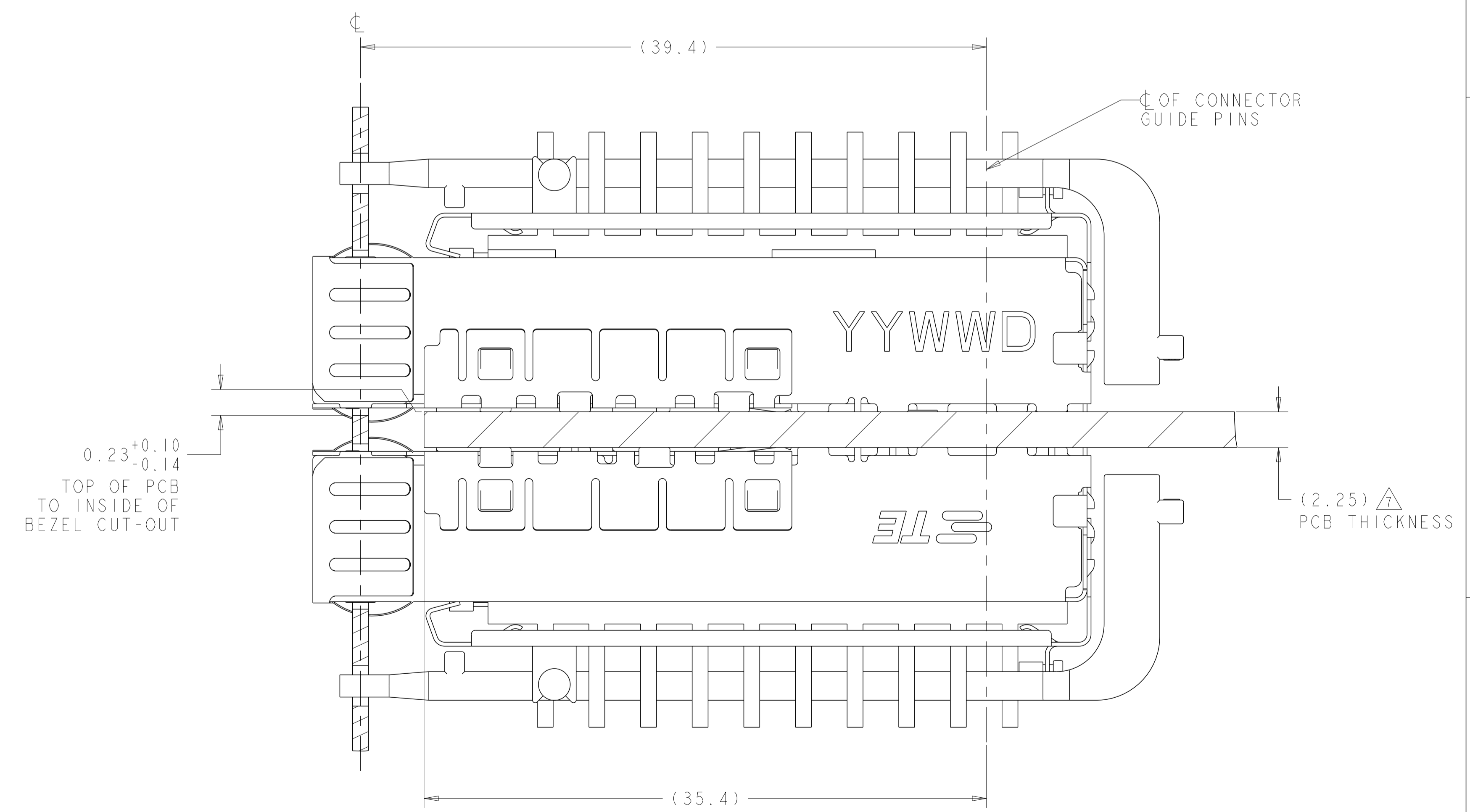
RECOMMENDED BEZEL CUT-OUT
 SINGLE SIDED APPLICATIONS
 SCALE 4:1



RECOMMENDED BEZEL CUT-OUT
 BELLY TO BELLY APPLICATIONS



2198232
 MOUNTED ON PC BOARD
 SHOWN THRU RECOMMENDED BEZEL

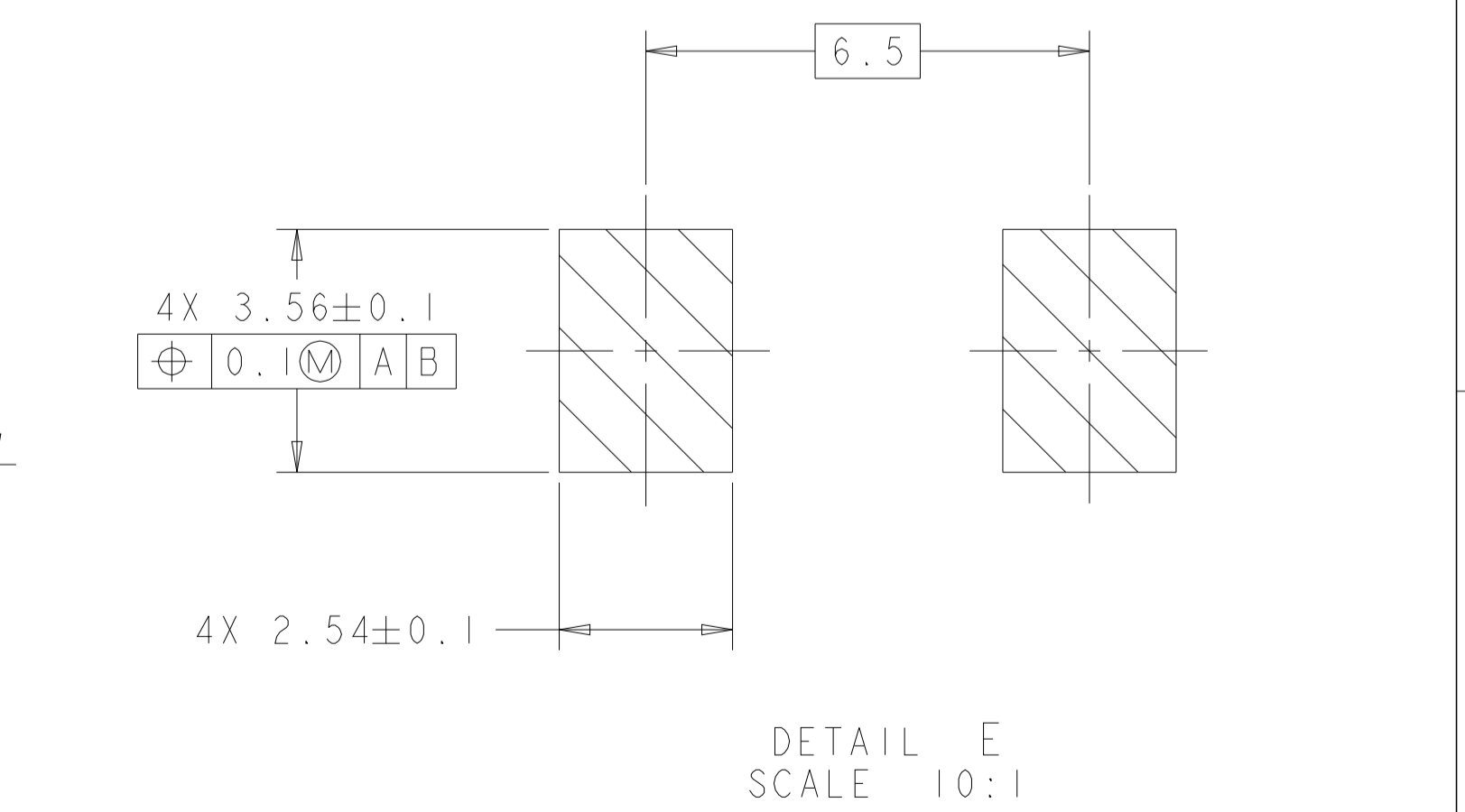
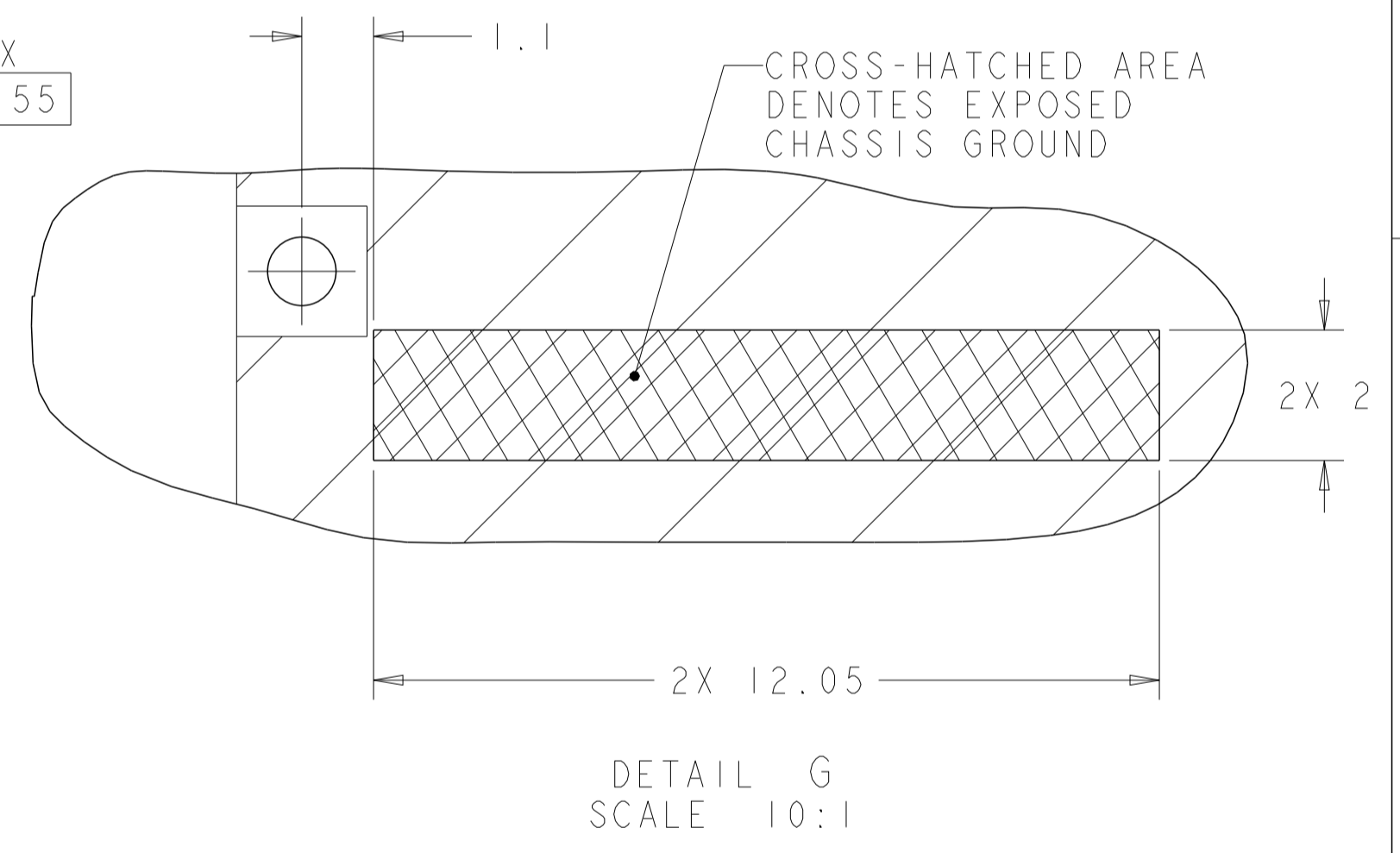
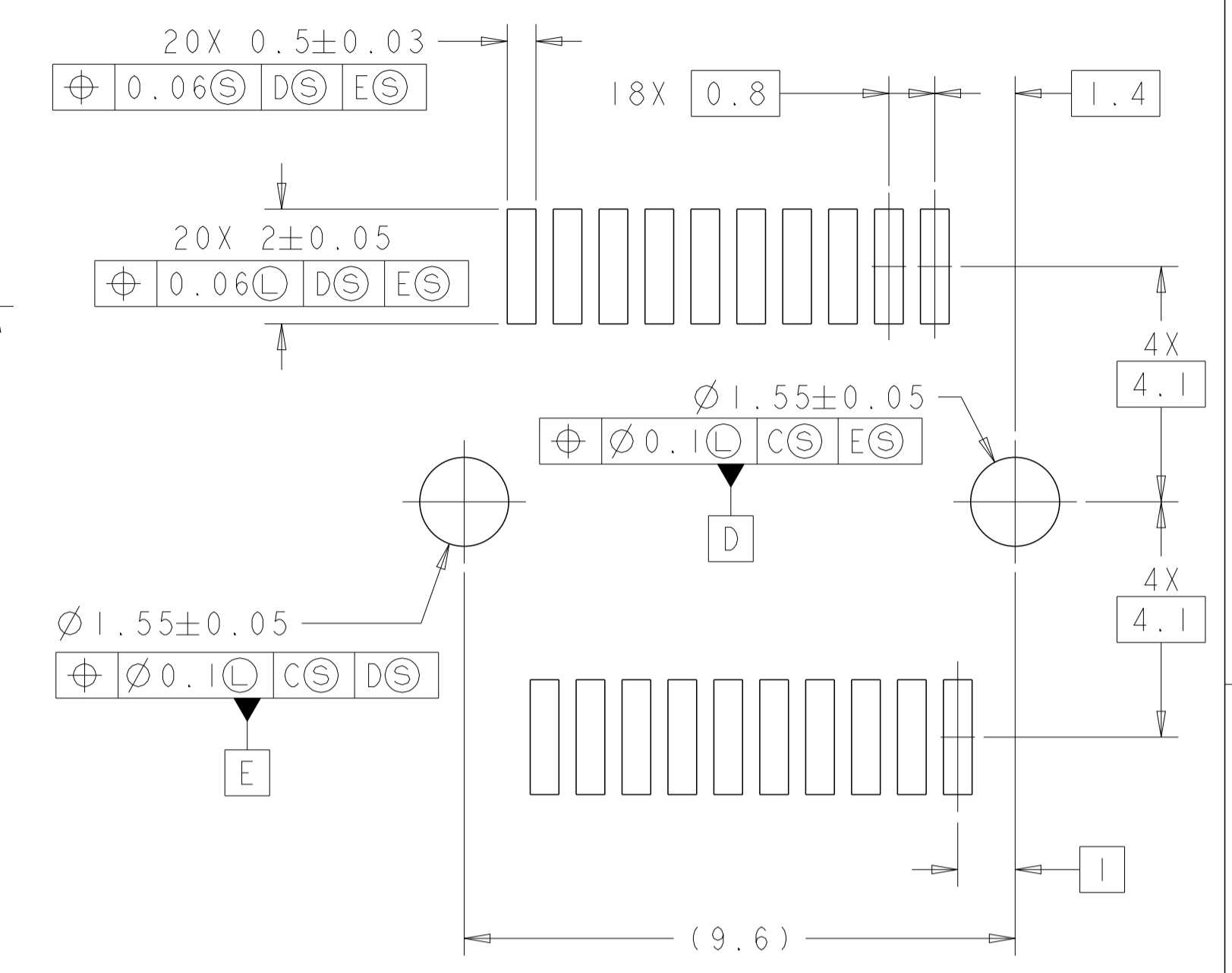
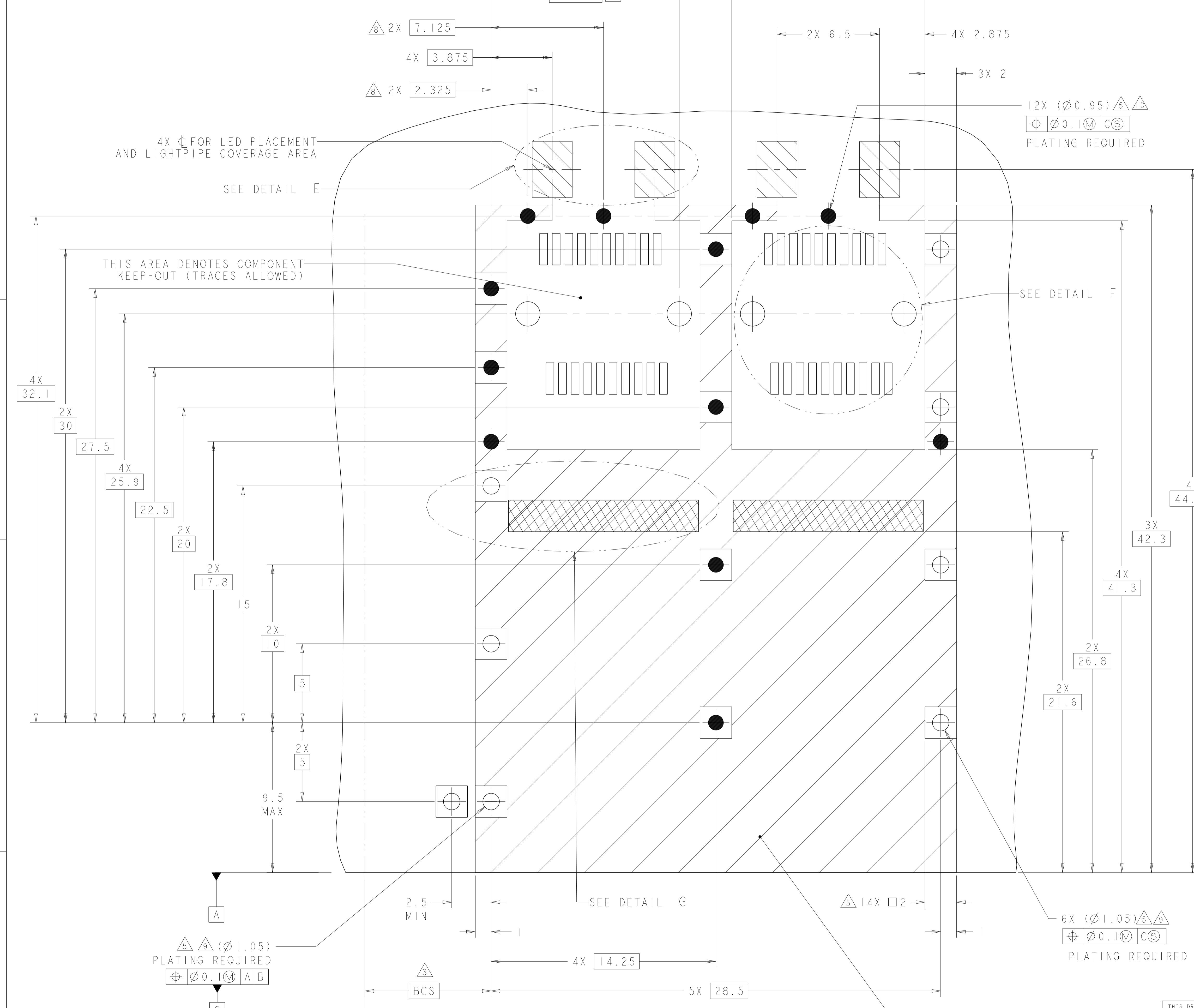


2198232
 MOUNTED BELLY TO BELLY ON PC BOARD
 SHOWN THRU RECOMMENDED BEZEL

THIS DRAWING IS A CONTROLLED DOCUMENT.		OWN: B. MATTHEWS 01NOV2011	TE Connectivity
DIMENSIONS: mm		CHK: M. SCHMITT 01NOV2011	
TOLERANCES UNLESS OTHERWISE SPECIFIED:		APVD: M. SCHMITT 01NOV2011	NAME: SFP+ ENHANCED 1X2 CAGE ASSEMBLY, PRESS-FIT, EXTERNAL EMI SPRINGS WITH HEATSINK AND LIGHTPIPE PRODUCT SPEC: 108-2364 APPLICATION SPEC: 114-13120
0 PLC ±0.13 1 PLC ±0.1 2 PLC ±0.08 3 PLC ±0.05 4 PLC ±0.05 ANGLES ±1		SIZE: A1 CAGE CODE: 100779 DRAWING NO: 2198232 WEIGHT: - FINISH: - MATERIAL: -	
MATERIAL:		RESTRICTED TO:	SCALE: 6:1 SHEET: 3 OF 5 REV: A2

LOC	DIST	REV	DATE	OWN	APVD
GP	00				

REVISIONS			DATE	OWN	APVD
P	LTN	DESCRIPTION			
-	-	SEE SHEET 1	-	-	-

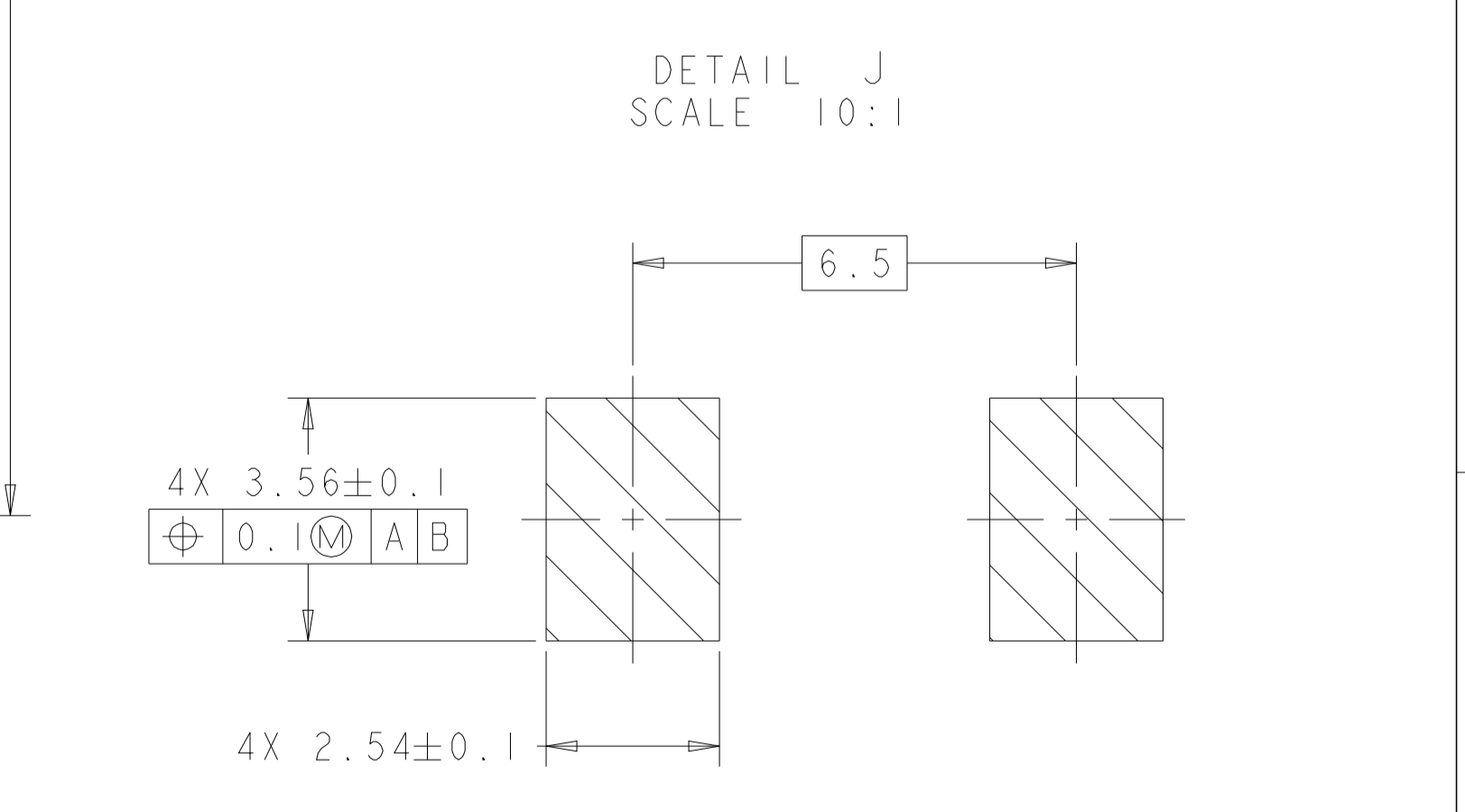
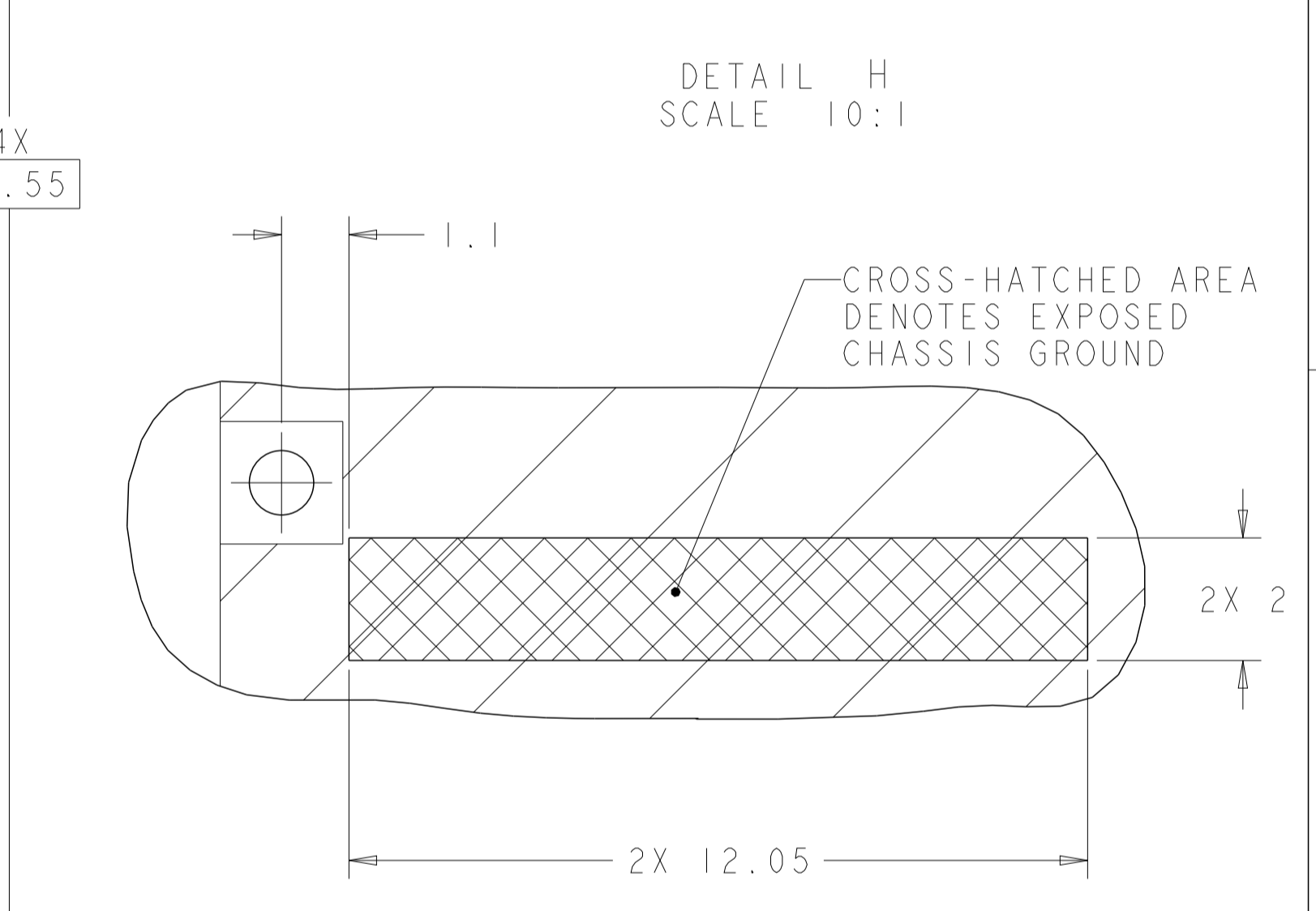
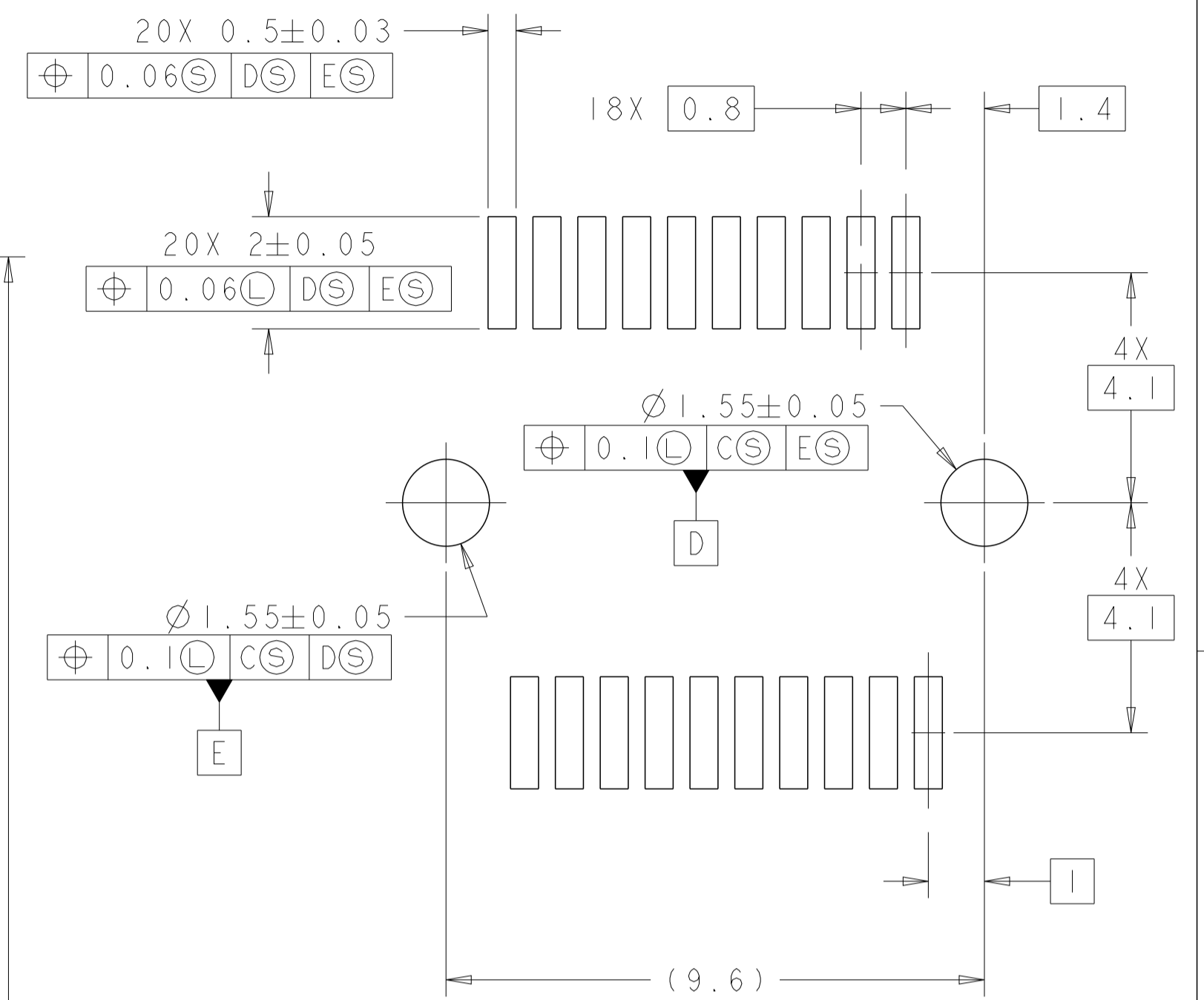
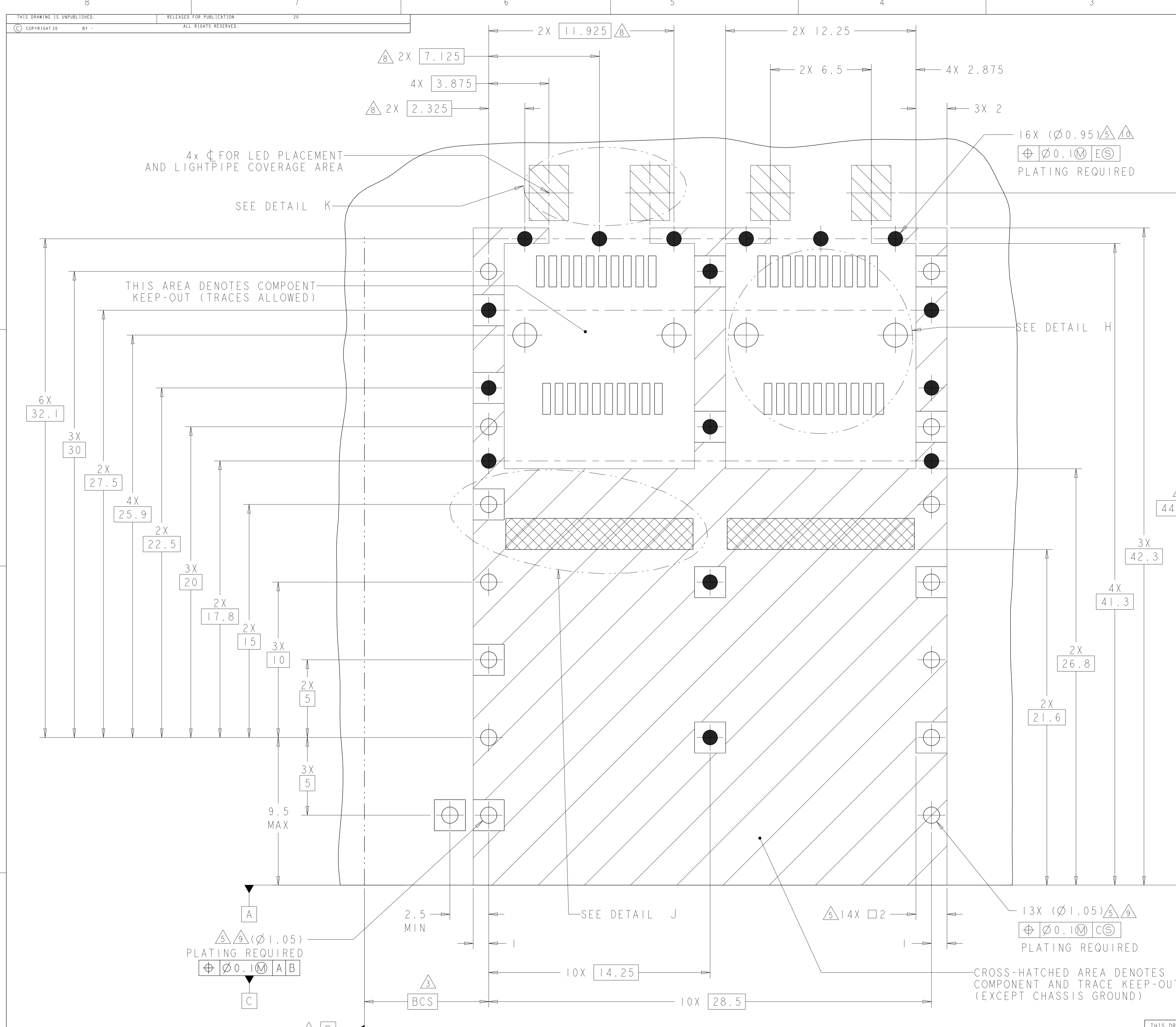


RECOMMENDED PCB CONFIGURATION WITH KEEP-OUT AREAS SINGLE SIDED APPLICATIONS SCALE 8:1

CROSS-HATCHED AREA DENOTES COMPONENT AND TRACE KEEP-OUT (EXCEPT CHASSIS GROUND)

THIS DRAWING IS A CONTROLLED DOCUMENT.		OWN B. MATTHEWS 01NOV2011	 TE Connectivity
DIMENSIONS: mm		CHK M. SCHMITT 01NOV2011	
TOLERANCES UNLESS OTHERWISE SPECIFIED:		APVD M. SCHMITT 01NOV2011	NAME SFP+ ENHANCED 1X2 CAGE ASSEMBLY, PRESS-FIT, EXTERNAL EMI SPRINGS WITH HEATSINK AND LIGHTPIPE PRODUCT SPEC 108-2364 APPLICATION SPEC SIZE CAGE CODE DRAWING NO. RESTRICTED TO 114-13120 WEIGHT A100779C=2198232 Customer Drawing SCALE 6:1 SHEET 4 OF 5 REV A2
0 PLC ±0.13		PRODUCT SPEC	
1 PLC ±0.1		APPLICATION SPEC	
2 PLC ±0.08			
3 PLC ±0.05			
4 PLC ±0.05			
ANGLES ±1			
FINISH			

LOC	DIST	REVISIONS					
GP	00	P	LTN	DESCRIPTION	DATE	OWN	APVD
		-	-	SEE SHEET 1	-	-	-



4x ϕ FOR LED PLACEMENT AND LIGHTPIPE COVERAGE AREA
 SEE DETAIL K
 THIS AREA DENOTES COMPONENT KEEP-OUT (TRACES ALLOWED)
 SEE DETAIL H
 SEE DETAIL J
 PLATING REQUIRED
 PLATING REQUIRED
 PLATING REQUIRED
 PLATING REQUIRED
 CROSS-HATCHED AREA DENOTES EXPOSED CHASSIS GROUND
 CROSS-HATCHED AREA DENOTES COMPONENT AND TRACE KEEP-OUT (EXCEPT CHASSIS GROUND)
 RECOMMENDED PCB CONFIGURATION WITH KEEP-OUT AREAS BELLY TO BELLY APPLICATIONS SCALE 8:1

THIS DRAWING IS A CONTROLLED DOCUMENT.		OWN: B. MATTHEWS 01NOV2011	TE Connectivity
DIMENSIONS: mm		CHK: M. SCHMITT 01NOV2011	
TOLERANCES UNLESS OTHERWISE SPECIFIED:		APVD: M. SCHMITT 01NOV2011	NAME: SFP+ ENHANCED 1X2 CAGE ASSEMBLY, PRESS-FIT, EXTERNAL EMI SPRINGS WITH HEATSINK AND LIGHTPIPE PRODUCT SPEC: 108-2364 APPLICATION SPEC: 114-13120 WEIGHT: - Customer Drawing
0 PLC ±0.13 1 PLC ±0.1 2 PLC ±0.08 3 PLC ±0.05 4 PLC ±0.05 ANGLES ±1		SIZE: A1 CAGE CODE: 100779 DRAWING NO: 2198232 SCALE: 6:1 SHEET: 5 OF 5 REV: A2	