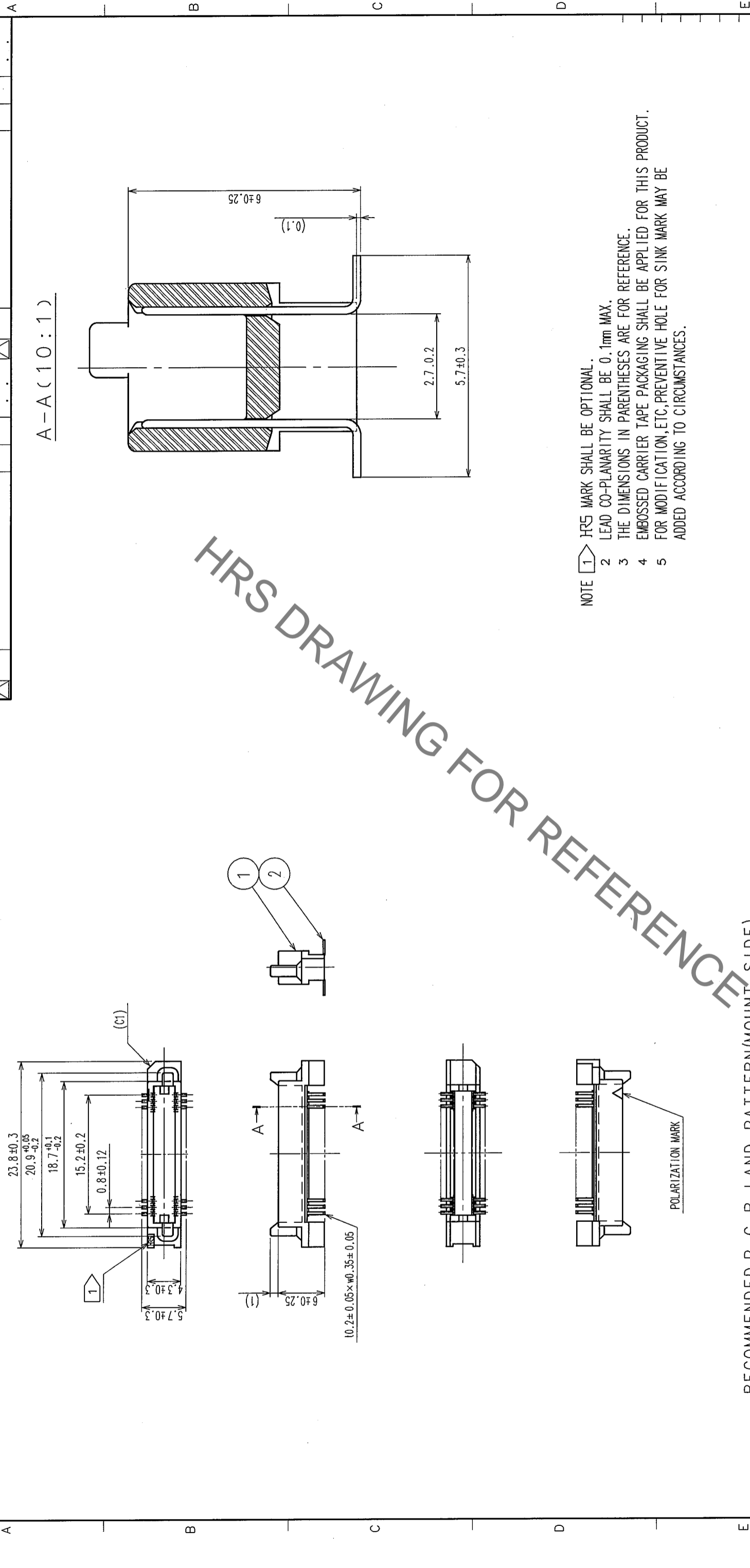


1 2 3 4 5 6 7 8

COUNT	DESCRIPTION OF REVISIONS	BY	CHKD	DATE	COUNT	DESCRIPTION OF REVISIONS	BY	CHKD	DATE
△				..	△				..
△				..	△				..
△				..	△				..

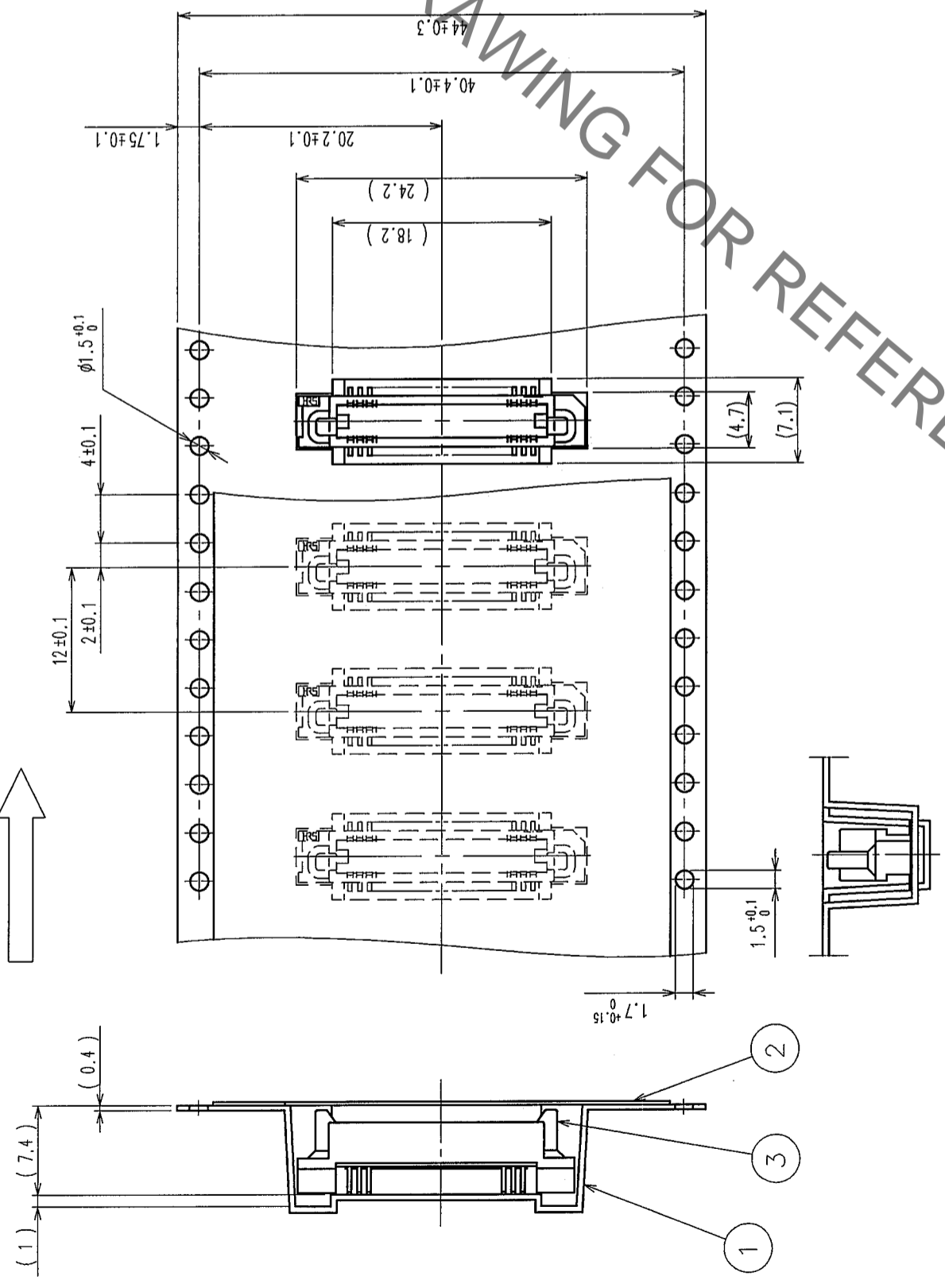
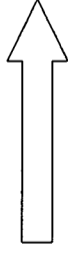


1	POLYPHENYLENE SULFIDE	LIGHT BROWN	UL94V-0	2	PHOSPHOR BRONZE	CONTACT AREA : GOLD 0.1μm min.	
NO.	MATERIAL	FINISH, REMARKS	NO.	MATERIAL	FINISH, REMARKS	LEAD AREA : TIN-PLATING 1μm min.	
CODE NO. (OLD)	CL		DESIGNED	J. Noda	05.09.27	UNDER PLATING : NICKEL 1μm min.	
			DRAWN	Y. Aoyagi	05.09.27		
			CHECKED	K. Ogawa	05.09.27		
			APPROVED	H. Okawa	05.09.27		
			RELEASED				
DRAWING NO.		EDC3-071321-22		PART NO.		FX6A-40P-0.8SV2(92)	
SCALE		2:1		CODE NO.		CL576-0243-2-92	
UNITS		mm		HIROSE ELECTRIC CO., LTD			

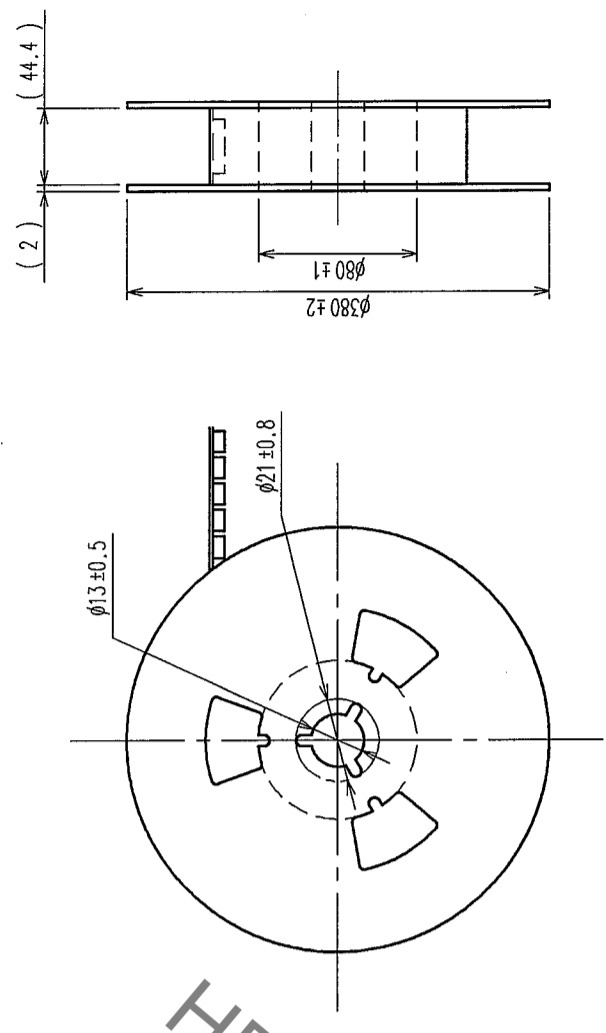
1 2 3 4 5 6 7 8

COUNT	DESCRIPTION OF REVISIONS	BY	CHKD	DATE	COUNT	DESCRIPTION OF REVISIONS	BY	CHKD	DATE

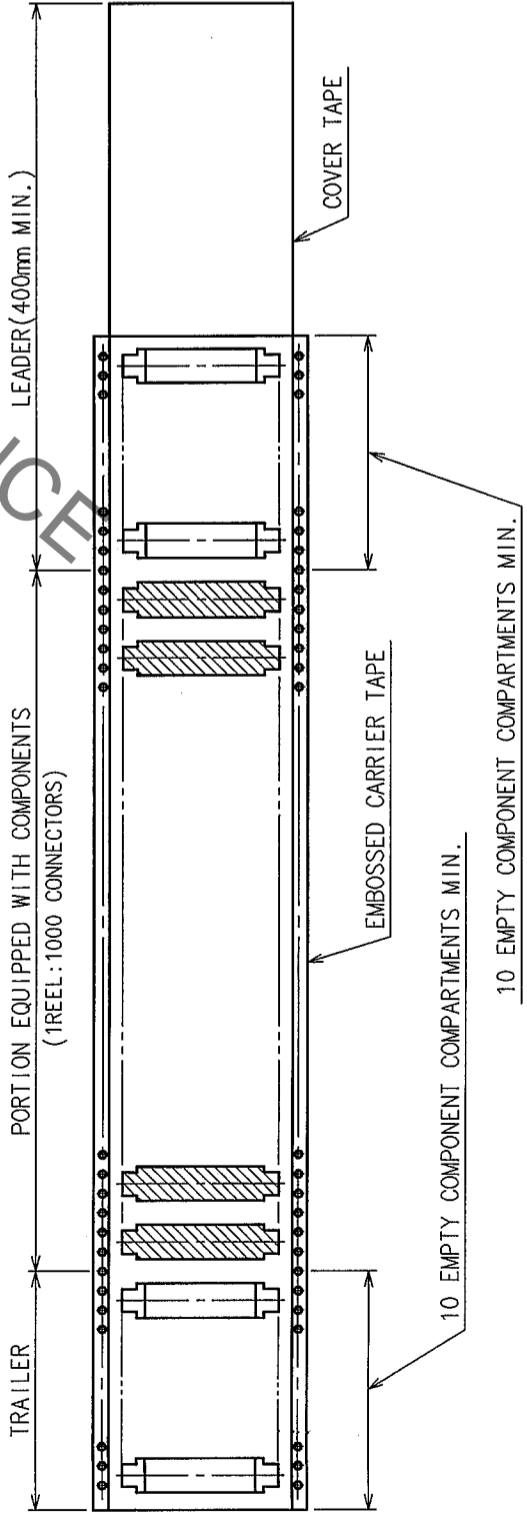
DIRECTION OF UNREELING



STYLE AND DIMENSION OF REEL (FREE)



HRS DRAWING FOR REFERENCE



NOTE 1 THE DIMENSIONS IN PARENTHESES ARE FOR REFERENCE.  
2 1 REEL : 1000 CONNECTORS.

2	POLYESTER	COVER TAPE	NO.	MATERIAL	FINISH, REMARKS	DRAWN	DESIGNED	CHECKED	APPROVED	RELEASED
1	POLYSTYRENE	EMBOSSED CARRIER TAPE	3	(CONNECTOR)		Y.AOYAGI	J.Noda	K. Ogawa	H. Okawa	
NO.	MATERIAL	FINISH, REMARKS	NO.	MATERIAL	FINISH, REMARKS					
CODE NO. (OLD)	CL									
DRAWING NO.	EDC3-071321-22		PART NO.	FX6A-40P-0.8SV2(92)						
SCALE	2 : 1		CODE NO.	CL576-0243-2-92						
UNITS	mm									