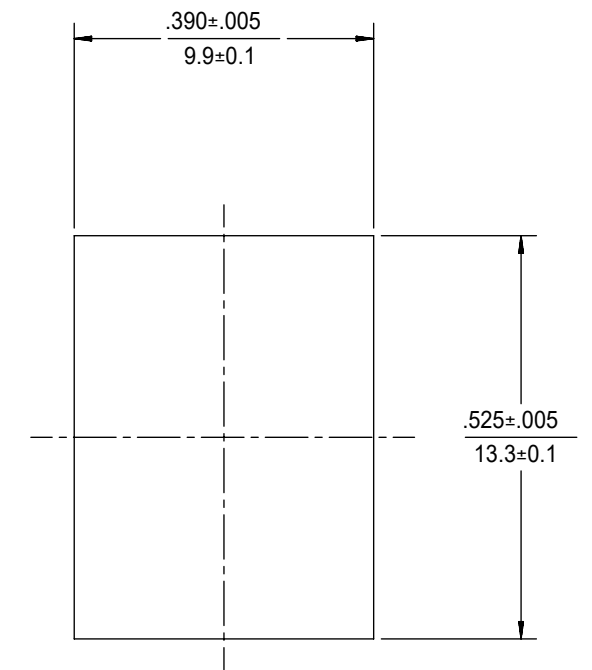
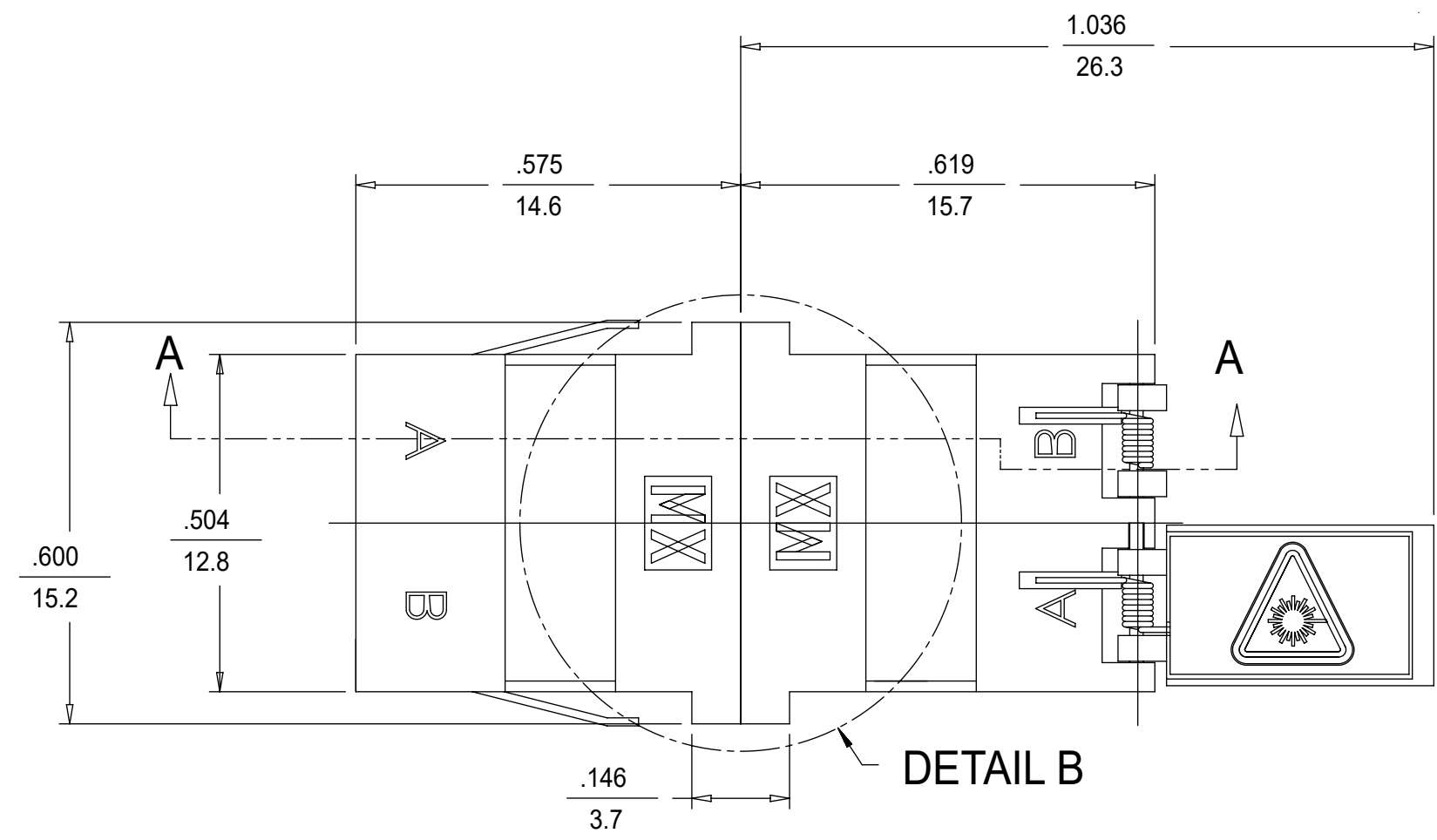
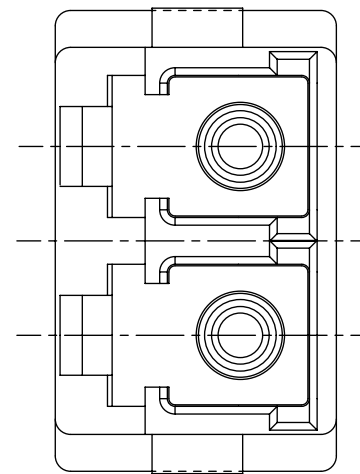
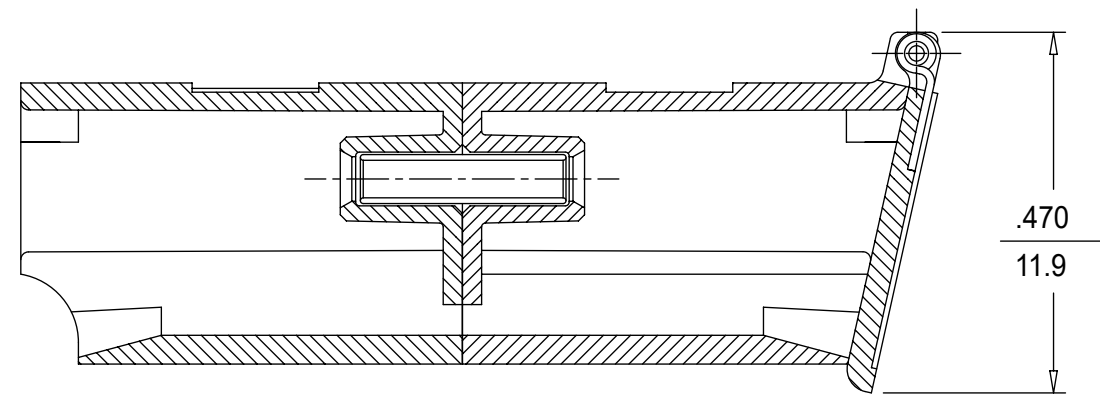


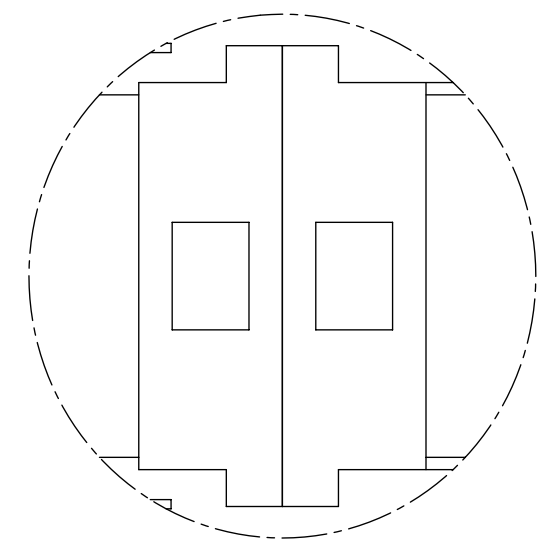
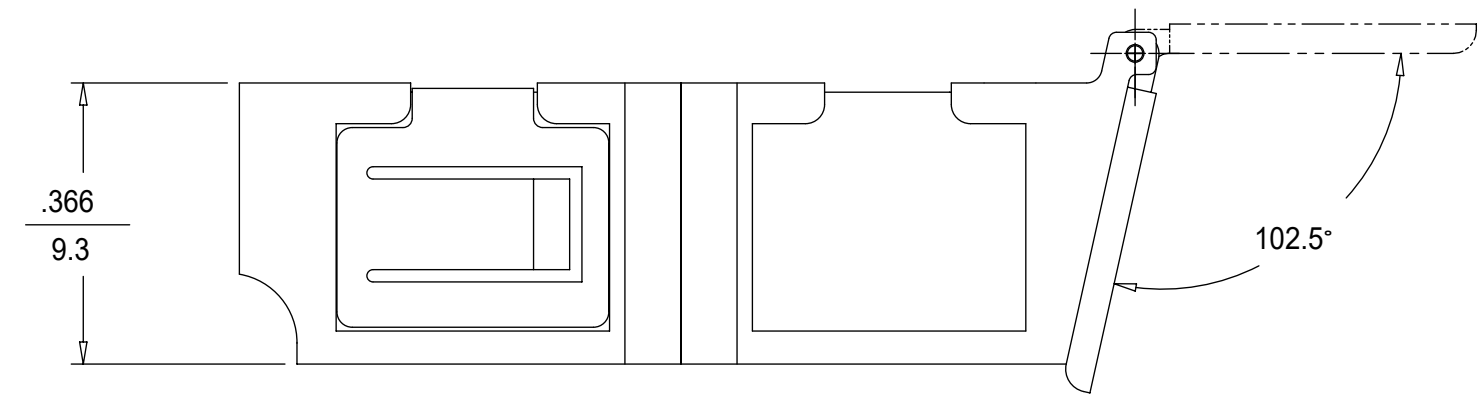
	12		11	10	9	8	7	6	5	4	3	2	1	
	LC ADAPTER P/N	COLOR	SPLIT SLEEVE MATERIAL	LOGO										
H	106127-1400	BLUE	ZR	MX										
	106127-1430*													
	106127-1420 (SEE NOTE 2)													
	106127-0410	BEIGE												
	106127-1450	GREEN												
106127-1480 (SEE NOTE 2)														
G	106127-1600	BLUE/METAL DOOR												
	106127-0610	BEIGE/METAL DOOR												
	106127-1650	GREEN/METAL DOOR												
F	106127-1410	BLACK		NONE										
	106127-9410*	AQUA												
	106127-9010**	GREEN												
	106198-2400	BLUE												
	106127-9020**	BEIGE												
	106198-2410													
	106127-9000**	AQUA/METAL DOOR			MX									
E	106127-1610	AQUA		NONE										
D														
C														
B														
A														



RECOMMENDED MOUNTING CUTOUT FOR .063 MAX. THICK PANEL



SECTION A-A



DETAIL B (NO LOGO VERSION)

NOTES:

- DUST CAPS ARE NOT SHOWN, BUT INCLUDED.
- FOR P/NS 106127-1420 AND 106127-1480 LASER WARNING LABEL IS SUPPLIED UNATTACHED AND SHALL BE INSTALLED BY CUSTOMER.
- P/NS 106127-9410, 106127-1950 AND 106127-1430 ARE BULK PACKED IN QUANTITIES OF 100pcs.
- P/NS 106127-9000, 106127-9010 AND 106127-9020 ARE FIRST INDIVIDUALLY PACKED IN CLEAR NON-MARKED BAGS AND THEN BULK PACKED IN QUANTITIES OF 100pcs.

FUNCTIONAL SYMBOLS	THIS DRAWING CONTAINS INFORMATION THAT IS PROPRIETARY TO MOLEX ELECTRONIC TECHNOLOGIES, LLC AND SHOULD NOT BE USED WITHOUT WRITTEN PERMISSION											
	$\frac{F}{A} = 0$ $\frac{F}{C} = 0$ $\frac{F}{P} = 0$	DIMENSION UNITS	SCALE	CURRENT REV DESC:								
	INCH/MM	1:1	EC NO: 652962			2021/05/31						
	GENERAL TOLERANCES (UNLESS SPECIFIED)		DRWN: SKRISHNAMU01			2021/08/24						
	ANGULAR TOL ± 0.5°		CHK'D: WCHEN			2021/08/24			LC DUPLEX ADAPTER W/ SHUTTERS (SMALL FLANGE/SC FOOT PRINT)			
	4 PLACES ±		APPR: WCHEN			2021/08/24						
DIVISIONAL SYMBOLS	3 PLACES ±		INITIAL REVISION:			DOCUMENT NUMBER			DOC TYPE	DOC PART	REVISION	
	2 PLACES ±		DRWN: PGIBLIN			SD-106127-YYY0			PSD	001	E	
	1 PLACE ±		APPR: IGUMIN			2005/10/25			MATERIAL NUMBER: SEE TABLE CUSTOMER: GENERAL MARKET SHEET NUMBER: 1 OF 1			
	0 PLACES ±		2005/10/26									
DRAFT WHERE APPLICABLE MUST REMAIN WITHIN DIMENSIONS			THIRD ANGLE PROJECTION	DRAWING	SERIES	MATERIAL NUMBER			CUSTOMER			
				C-SIZE	106127	SEE TABLE			GENERAL MARKET			