

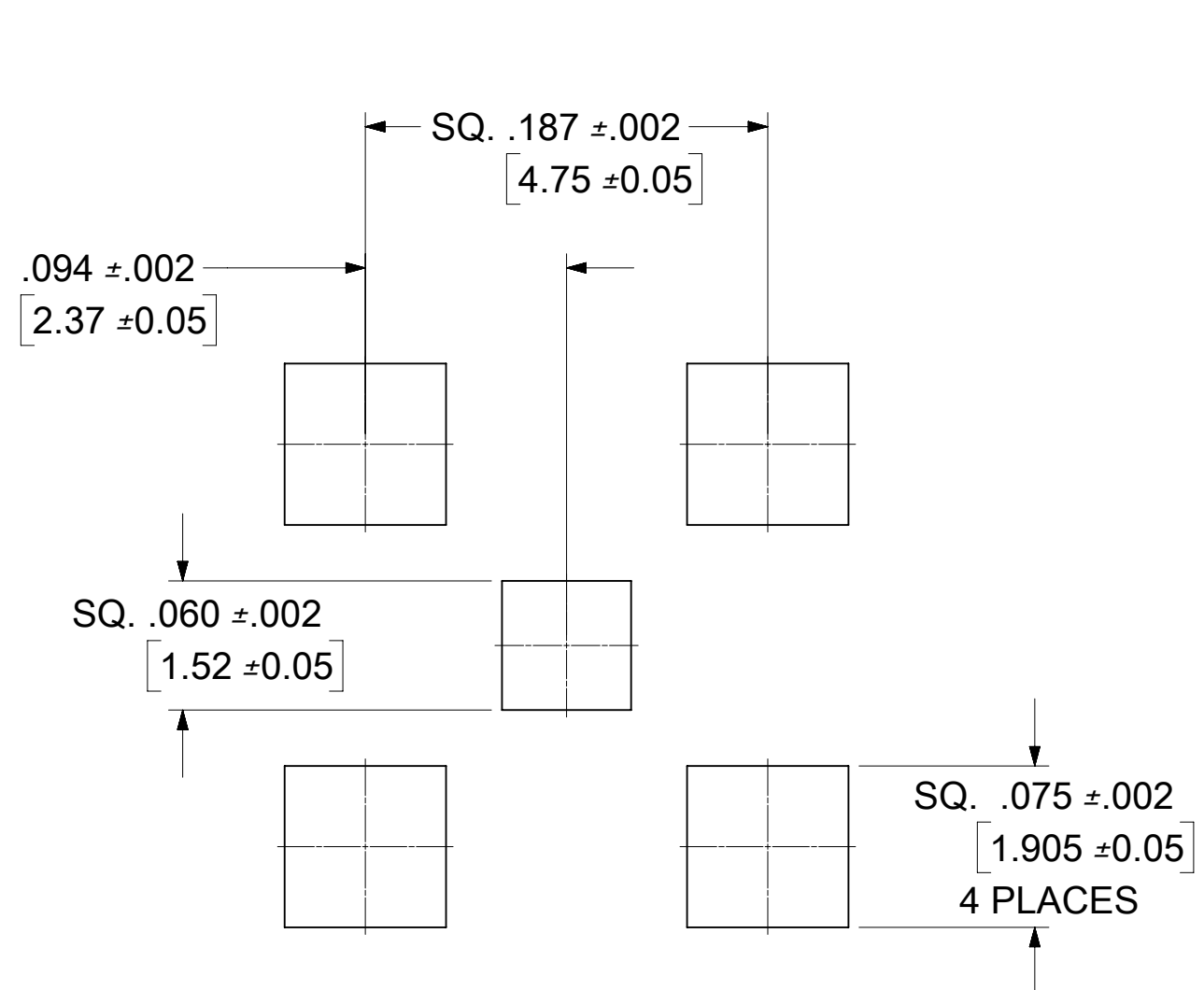
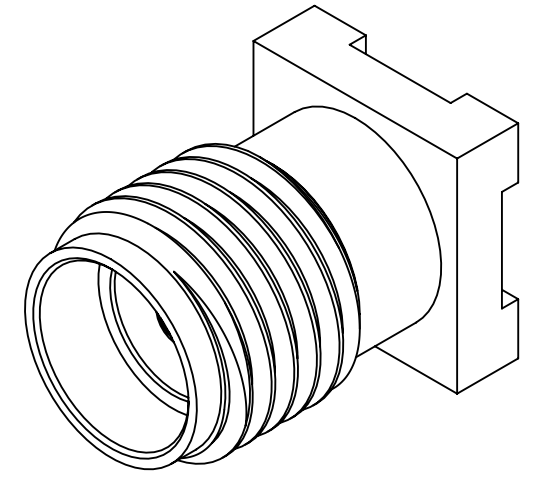
MATERIALS & FINISHES

BODY: BRASS
PLATED: SEE TABLE

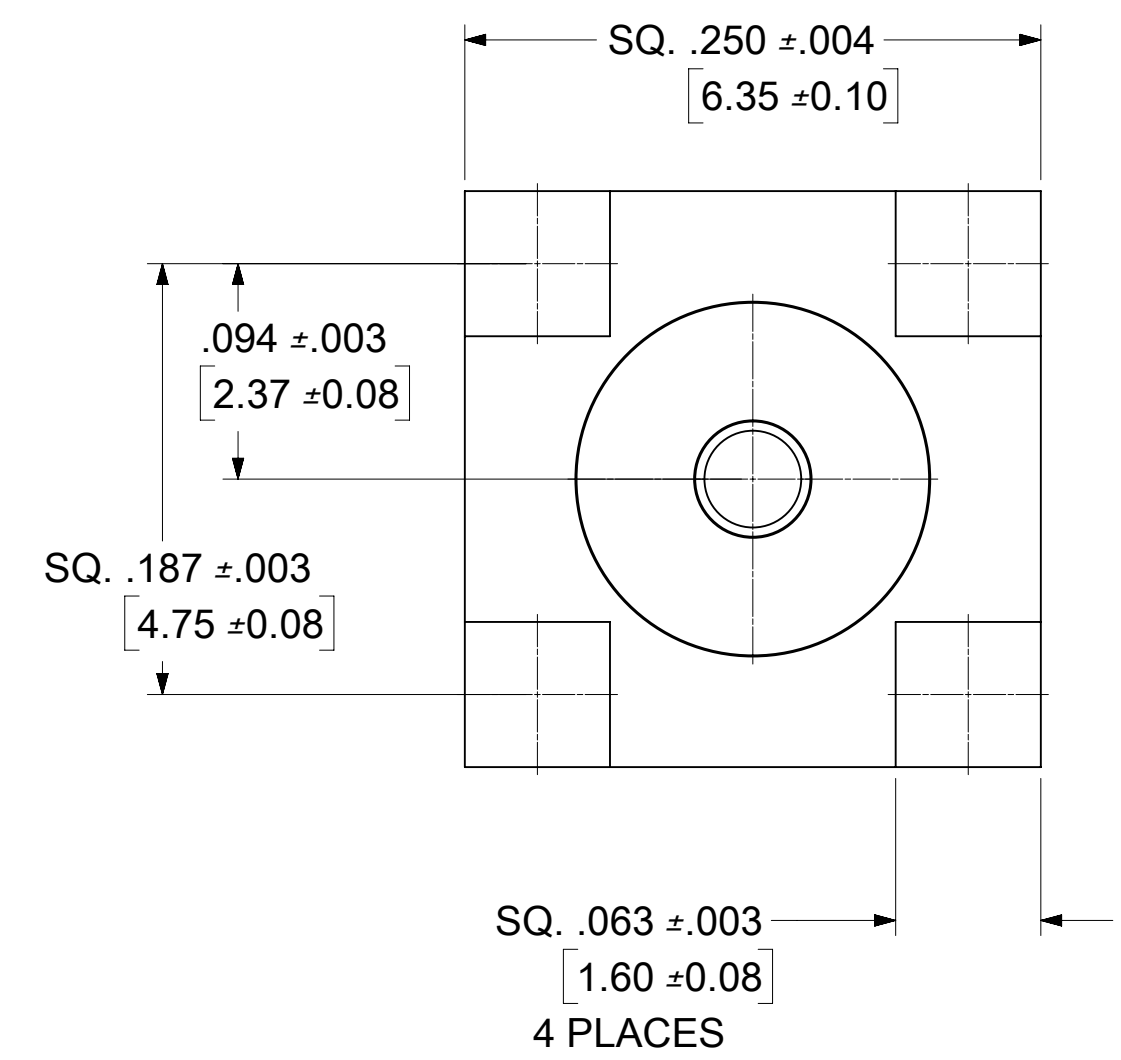
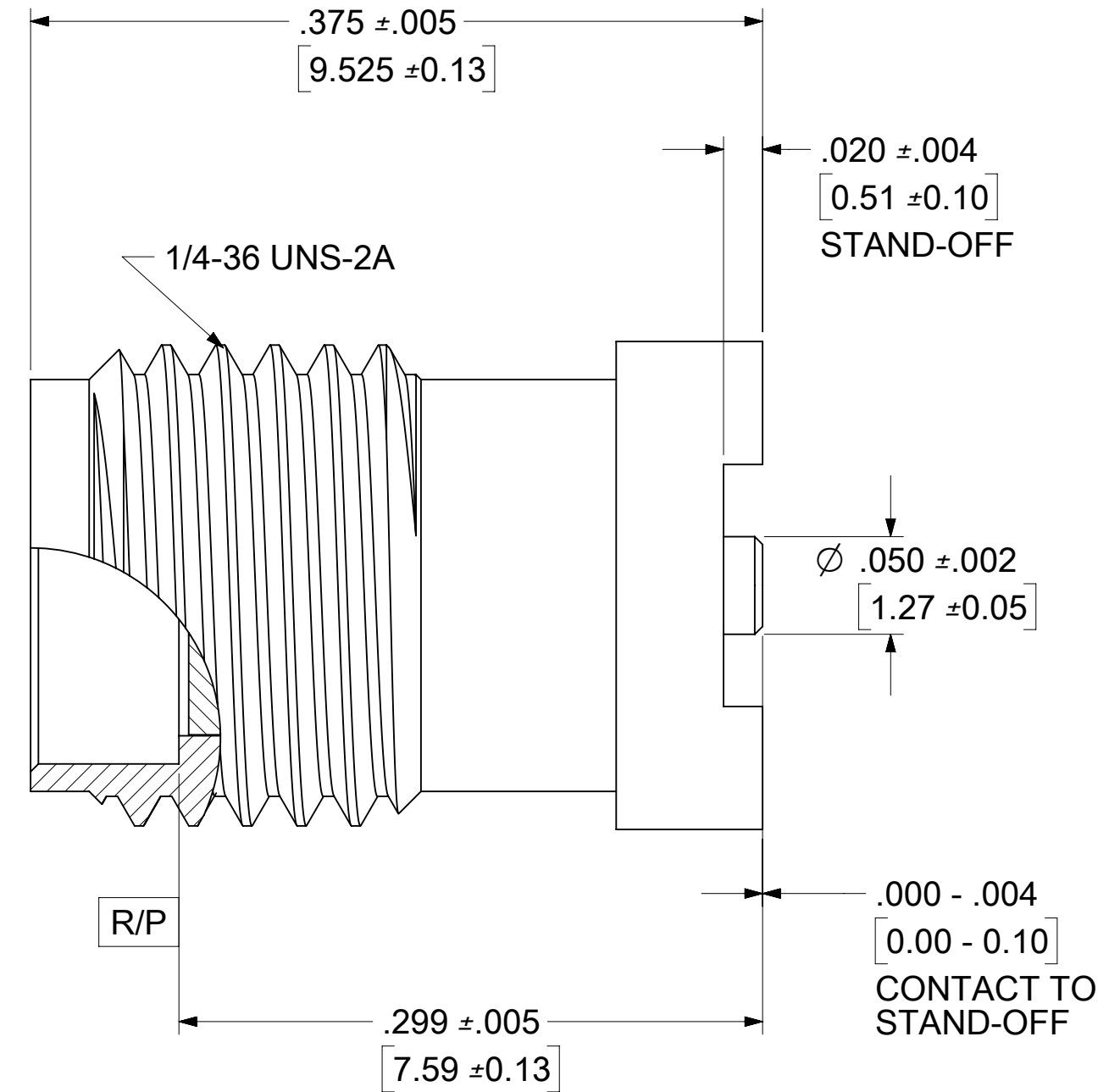
CONTACT: BERYLLIUM COPPER
PLATED: GOLD

INSULATOR: TEFLON

KAPTON: POLYIMIDE FILM
(ON -1355 ONLY)



RECOMMENDED PCB LAYOUT



73251-1357	SAME AS 73251-1353	TAPE & REEL (550 PCS / REEL)	SHEET 2 & 4
73251-1356	BODY/CONTACT GOLD (5μ" MIN.)	TAPE & REEL (400 PCS / REEL)	SHEET 2 & 3
73251-1355	SAME AS 73251-1350	TAPE & REEL WITH KAPTON (400 PCS / REEL)	SHEET 2 & 3
73251-1354	SAME AS 73251-1353	TAPE & REEL (400 PCS / REEL)	SHEET 2 & 3
73251-1353	BODY NICKEL(100μ" MIN.)/ CONTACT GOLD (10μ" MIN.)	TRAY PACK (80 PCS / TRAY)	SHEET 5
73251-1352	SAME AS 73251-1350	ONE PIECE 73251-1350 PER BAG	N/A
73251-1351	SAME AS 73251-1350	TAPE & REEL (400 PCS / REEL)	SHEET 2 & 3
73251-1350	BODY/CONTACT GOLD (10μ" MIN.)	TRAY PACK (80 PCS / TRAY)	SHEET 5
PART NO.	PLATING	PACKAGING DESCRIPTION	PACKING DRAWING

PS-89675-3460	ELEC/MECH PERFORMANCE
MIL-STD-348A, FIG. 310.2	INTERFACE
SPECIFICATION	DESCRIPTION

C4	2020/07/01	ADD -1357 & PKG PER EWR13889-A
C3	2019/08/22	ADD -1351 & 1353 PKG PER EWR13301-A
C2	2018/12/27	ADD PACKAGING TOL. PER EWR12756-A
REV.	DATE	DESCRIPTION

FUNCTIONAL SYMBOLS: $\nabla = 0$, $\nabla = 0$, $\nabla = 0$

DIVISIONAL SYMBOLS: 4 PLACES ±, 3 PLACES ±, 2 PLACES ±, 1 PLACE ±, 0 PLACES ±

THIS DRAWING CONTAINS INFORMATION THAT IS PROPRIETARY TO MOLEX ELECTRONIC TECHNOLOGIES, LLC AND SHOULD NOT BE USED WITHOUT WRITTEN PERMISSION

SCALE: HYBRID NTS

GENERAL TOLERANCES (UNLESS SPECIFIED): ANGULAR TOL ± 2.0°

CURRENT REV DESC: EC NO: 640938, DRWN: CWEI02, 2020/07/01, CHK'D: YCHENG, 2020/07/13, APPR: YCHENG, 2020/07/13

INITIAL REVISION: DRWN: SSS, 2000/05/16, APPR: GMH, 2000/05/16

DRAFT WHERE APPLICABLE MUST REMAIN WITHIN DIMENSIONS

THIRD ANGLE PROJECTION

DRAWING: C-SIZE

SERIES: 73251

DOCUMENT NUMBER: SD-73251-135

DOC TYPE: PSD

DOC PART: 001

REVISION: C4

MATERIAL NUMBER: SEE TABLE

CUSTOMER: GENERAL MARKET

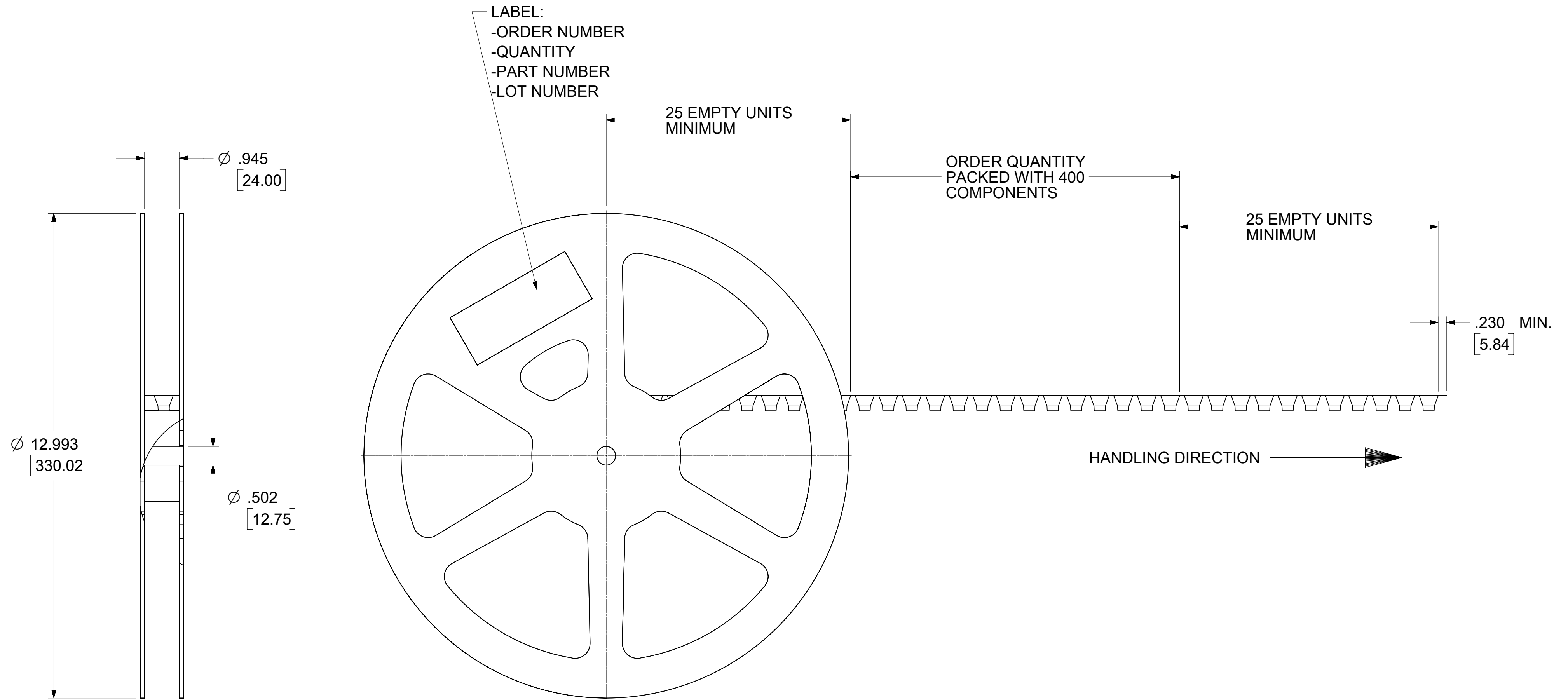
SHEET NUMBER: 1 OF 5

molex

SMA, JACK
VERTICAL PCB SMT SMA-J/PCB, EWR-2107

PRODUCT CUSTOMER DRAWING

- NOTES :
1. REEL PACKAGING FOR 73251-1351, 73251-1354, 73251-1355 AND 73251-1356
 2. COMPONENT LOAD PER 13" REEL: 400 PCS

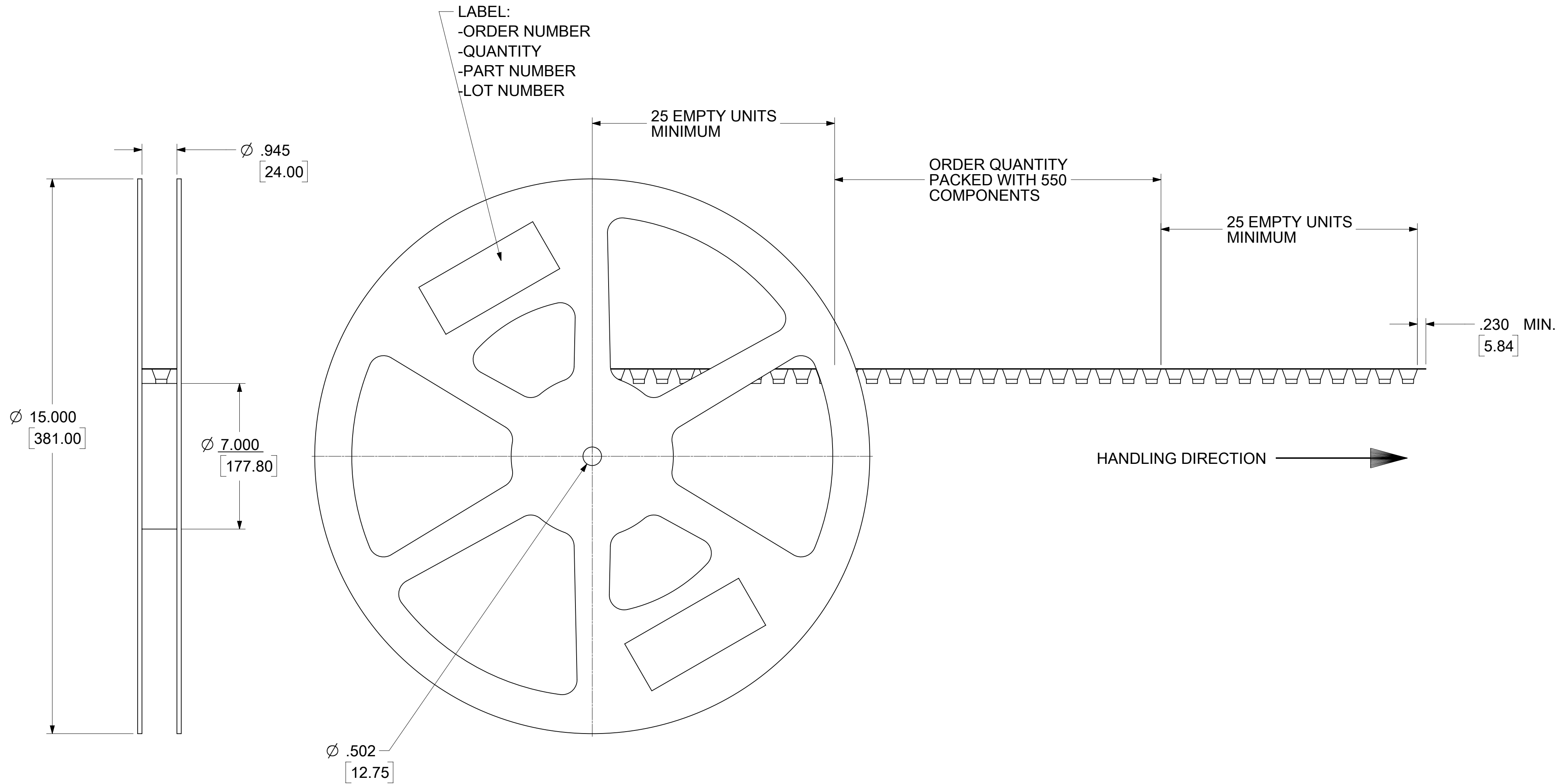


FUNCTIONAL SYMBOLS $\frac{F}{A} = 0$ $\frac{F}{C} = 0$ $\frac{F}{P} = 0$	THIS DRAWING CONTAINS INFORMATION THAT IS PROPRIETARY TO MOLEX ELECTRONIC TECHNOLOGIES, LLC AND SHOULD NOT BE USED WITHOUT WRITTEN PERMISSION	CURRENT REV DESC:											
	DIMENSION UNITS	SCALE											
	HYBRID	NTS											
	GENERAL TOLERANCES (UNLESS SPECIFIED)												
ANGULAR TOL ± 2.0°													
4 PLACES ±													
3 PLACES ±													
2 PLACES ±													
1 PLACE ±													
0 PLACES ±													
DRAFT WHERE APPLICABLE MUST REMAIN WITHIN DIMENSIONS		THIRD ANGLE PROJECTION		DRAWING		SERIES		MATERIAL NUMBER		CUSTOMER		SHEET NUMBER	
				C-SIZE		73251		SEE TABLE		GENERAL MARKET		3 OF 5	

molex				
SMA, JACK VERTICAL PCB SMT SMA-J/PCB, EWR-2107				
PRODUCT CUSTOMER DRAWING				
DOCUMENT NUMBER		DOC TYPE	DOC PART	REVISION
SD-73251-135		PSD	001	C4

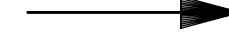
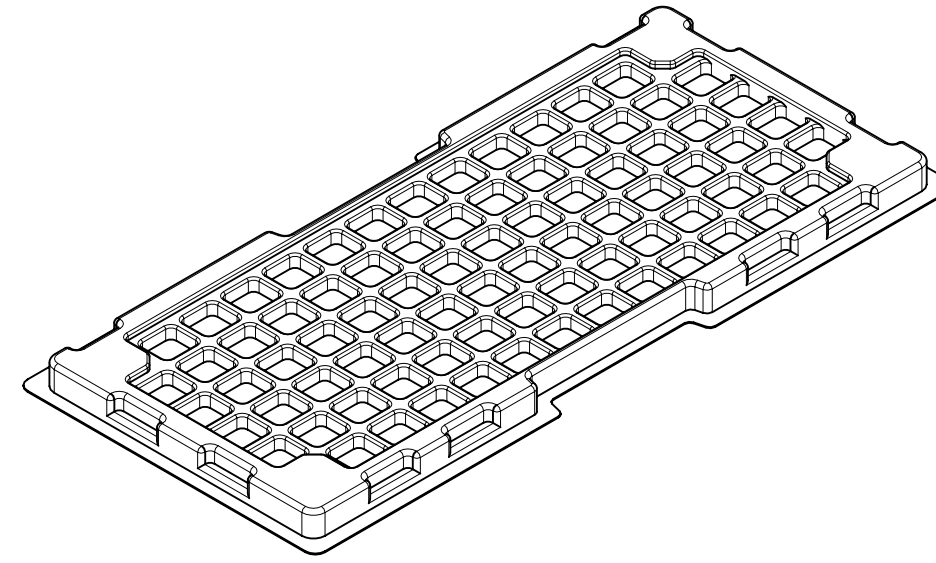
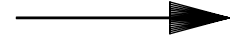
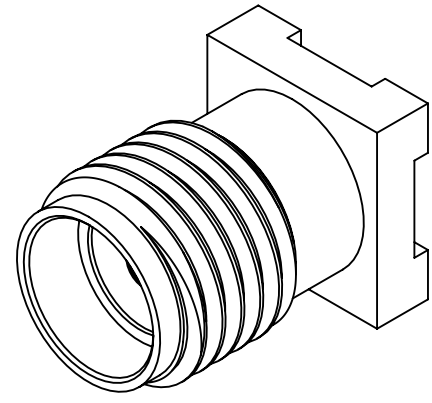
DOCUMENT STATUS	P1	RELEASE DATE	2020/07/13	08:48:58
-----------------	----	--------------	------------	----------

NOTES:
 1. REEL PACKAGING FOR 73251-1357
 2. COMPONENT LOAD PER 15" REEL: 550 PCS

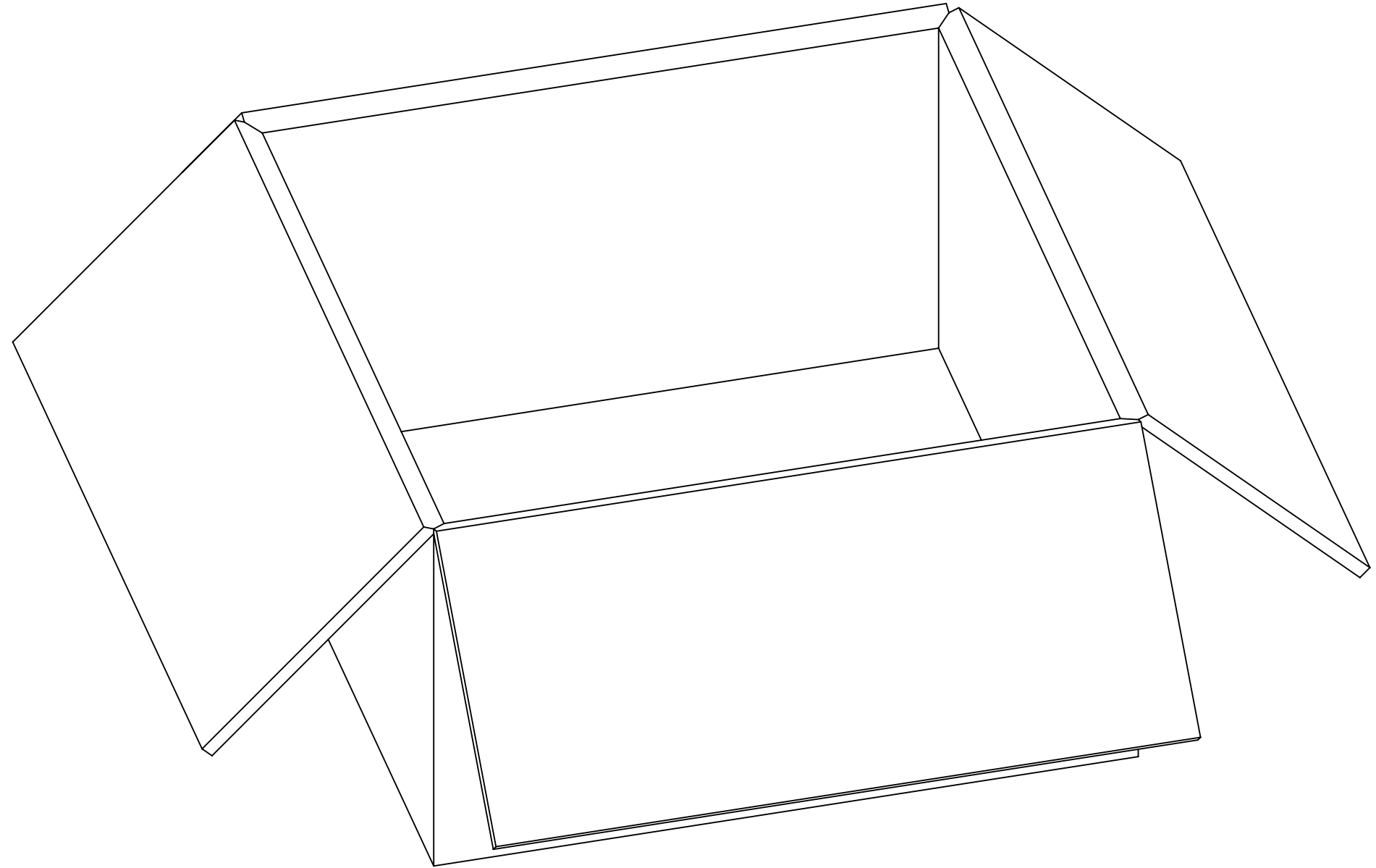
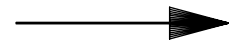
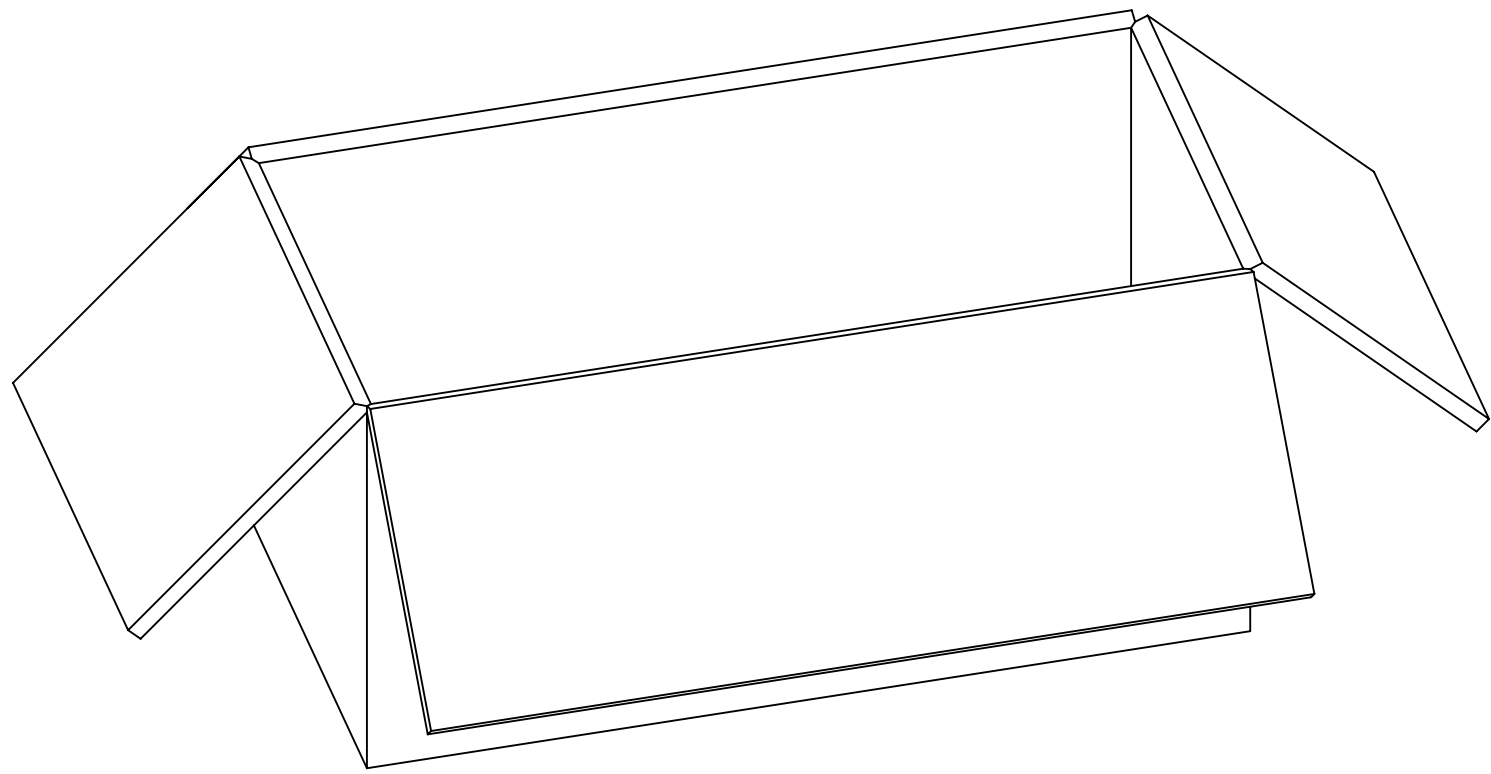


FUNCTIONAL SYMBOLS	THIS DRAWING CONTAINS INFORMATION THAT IS PROPRIETARY TO MOLEX ELECTRONIC TECHNOLOGIES, LLC AND SHOULD NOT BE USED WITHOUT WRITTEN PERMISSION									
	DIMENSION UNITS	SCALE	CURRENT REV DESC:							
$\frac{F}{A} = 0$	HYBRID	NTS	EC NO: 640938 DRWN: CWEI02 2020/07/01 CHK'D: YCHENG 2020/07/13 APPR: YCHENG 2020/07/13							
$\frac{E}{C} = 0$	GENERAL TOLERANCES (UNLESS SPECIFIED)									
$\frac{E}{P} = 0$	ANGULAR TOL ± 2.0°		INITIAL REVISION: DRWN: SSS 2000/05/16 APPR: GMH 2000/05/16							
DIVISIONAL SYMBOLS										
4 PLACES ±			DOCUMENT NUMBER		DOC TYPE	DOC PART	REVISION	SD-73251-135 PSD 001 C4		
3 PLACES ±			SEE TABLE		GENERAL MARKET	SHEET NUMBER				
2 PLACES ±			MATERIAL NUMBER		CUSTOMER		4 OF 5			
1 PLACE ±			THIRD ANGLE PROJECTION		DRAWING	SERIES				
0 PLACES ±			DRAFT WHERE APPLICABLE MUST REMAIN WITHIN DIMENSIONS		C-SIZE	73251				

NOTE:
TRAY PACKAGING FOR 73251-1350 AND 73251-1353



80 SETS PER TRAY
P/N: 89707-0190



1600 SETS PER INNER
CARTON BOX
P/N: 96707-0001

3200 SETS PER OUTER
CARTON BOX
P/N: 96708-0005

FUNCTIONAL SYMBOLS	THIS DRAWING CONTAINS INFORMATION THAT IS PROPRIETARY TO MOLEX ELECTRONIC TECHNOLOGIES, LLC AND SHOULD NOT BE USED WITHOUT WRITTEN PERMISSION											
	DIMENSION UNITS	SCALE	CURRENT REV DESC:							molex		
$\frac{E}{A} = 0$	HYBRID	NTS	EC NO: 640938 DRWN: CWEI02 2020/07/01 CHK'D: YCHENG 2020/07/13 APPR: YCHENG 2020/07/13									SMA, JACK VERTICAL PCB SMT SMA-J/PCB, EWR-2107
$\frac{E}{C} = 0$	GENERAL TOLERANCES (UNLESS SPECIFIED)									PRODUCT CUSTOMER DRAWING		
$\frac{E}{P} = 0$	ANGULAR TOL $\pm 2.0^\circ$		DOCUMENT NUMBER		DOC TYPE	DOC PART	REVISION					
DIVISIONAL SYMBOLS	4 PLACES \pm	3 PLACES \pm	2 PLACES \pm	1 PLACE \pm	0 PLACES \pm	INITIAL REVISION:		SD-73251-135		PSD	001	C4
	DRAFT WHERE APPLICABLE MUST REMAIN WITHIN DIMENSIONS		THIRD ANGLE PROJECTION	DRAWING	SERIES	MATERIAL NUMBER	CUSTOMER	SHEET NUMBER				
				C-SIZE	73251	SEE TABLE	GENERAL MARKET	5 OF 5				