

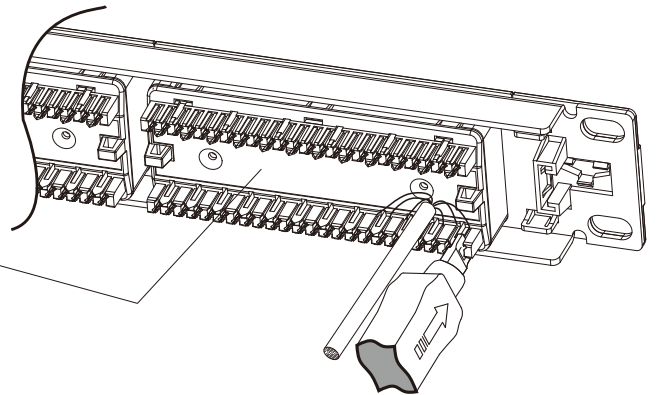
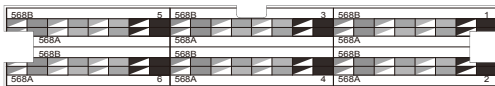
**P/N: S45-2524**

24-Port Loaded Patch Panel - Unshielded Cat5e UTP,  
Rear 110 IDC Punch Down, Numbered Ports w/Labels,  
ANSI/TIA 568.2-D, ISO/IEC 11801 Class D,  
PoE: IEEE 802.3bt, UL - Black - 1 ea/Box



1. Punch down cables to 110/Krone IDC Connector according to TIA568A/B wiring instruction label.

**Wiring Label**



2. Punch down solid cable to each port until termination is completed.

3. Write port description on label and then put on the plastic cover to finish the installation.

