

Analog Absolute Pressure Sensor

KP229F0711

TurboMAP

Data Sheet

Revision 1.0, 2018-04-26

Sense & Control

Table of Contents

| | | |
|----------|-------------------------------------|-----------|
| 1 | Product Description | 5 |
| 1.1 | Features | 5 |
| 1.2 | Target Applications | 5 |
| 2 | Functional Description | 6 |
| 2.1 | Pin Configuration | 7 |
| 2.2 | Pin Description | 7 |
| 2.3 | Block Diagram | 8 |
| 2.4 | Transfer Function | 9 |
| 2.5 | Accuracy | 10 |
| 2.5.1 | Ratiometric Error | 10 |
| 2.5.2 | Overall Accuracy | 10 |
| 2.6 | Output Voltage versus Load | 12 |
| 2.7 | Timing Properties | 13 |
| 3 | Specification | 14 |
| 3.1 | Application Circuit Example | 14 |
| 3.2 | Absolute Maximum Ratings | 15 |
| 3.3 | Operating Range | 16 |
| 3.4 | Characteristics | 17 |
| 4 | Package Information | 19 |
| 4.1 | PG-DSOF-8-16 Outline | 19 |
| 4.2 | Identification Code | 20 |
| 5 | Revision History | 21 |



List of Tables

| | | |
|---------|--------------------------------------|----|
| Table 1 | Pin Description | 7 |
| Table 2 | Transfer function | 9 |
| Table 3 | Ratiometric Error | 10 |
| Table 4 | Accuracy | 11 |
| Table 5 | Component Values | 14 |
| Table 6 | Absolute Maximum Ratings | 15 |
| Table 7 | Operating Range | 16 |
| Table 8 | Electrical Characteristics | 17 |
| Table 9 | Transfer Function | 18 |

List of Figures

| | | |
|-----------|---|----|
| Figure 1 | Pin configuration (top view, figure not to scale) | 7 |
| Figure 2 | Functional block diagram | 8 |
| Figure 3 | Transfer function | 9 |
| Figure 4 | Ratiometric error | 10 |
| Figure 5 | Accuracy for pressure acquisition | 11 |
| Figure 6 | Maximum output voltage limit with pull-down load. | 12 |
| Figure 7 | Minimum output voltage limit with pull-up load | 12 |
| Figure 8 | Power-up time | 13 |
| Figure 9 | Response and stabilization time. | 13 |
| Figure 10 | Application circuit example. | 14 |
| Figure 11 | Package outline | 19 |
| Figure 12 | Identification code | 20 |

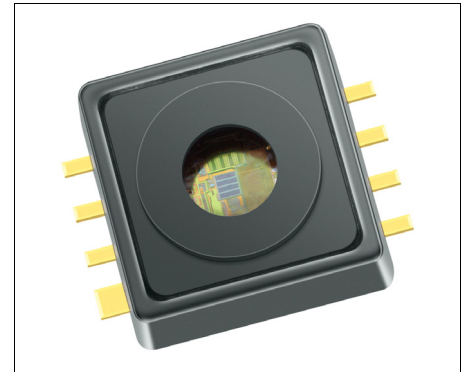


1 Product Description

The KP229F0711 is a miniaturized Analog Manifold Air Pressure Sensor IC based on a capacitive principle. It is surface micromachined with a monolithic integrated signal conditioning circuit implemented in BiCMOS technology.

The sensor converts a pressure into an analog output signal. The calibrated transfer function converts a pressure of 20 kPa to 250 kPa into a voltage range of 0.40 V to 4.65 V.

The chip is packaged in a “green” SMD housing. The sensor has been primarily developed for measuring manifold air pressure, but can also be used in other application fields. The high accuracy and the high sensitivity of the device makes it a perfect fit for advanced automotive applications as well as in industrial and consumer applications.



PG-DSOF-8-16

1.1 Features

Following features are supported by the KP229F0711:

- High precision pressure sensing (± 3.4 kPa)
- Ratiometric analog output
- Large temperature range (-40 °C to 140 °C)
- Broken wire detection
- Clamping
- “Green” 8 pin SMD housing
- Automotive qualified

1.2 Target Applications

The KP229F0711 is defined for use in following target applications:

- Automotive applications (manifold air pressure measurement)
- Industrial control
- Consumer applications
- Medical applications
- Weather stations
- Altimeters

| Product Name | Product Type | Ordering Code | Package |
|---------------------------------|--------------|---------------|--------------|
| Analog Absolute Pressure Sensor | KP229F0711 | SP002428754 | PG-DSOF-8-16 |

Functional Description

2 Functional Description

The pressure is detected by an array of capacitive surface micromachined sensor cells. The sensor cell output is amplified, temperature compensated and linearized to obtain an output voltage that is proportional to the applied pressure.

The transfer function for linearization is computed in the digital part of the sensor using a third order polynomial calculation. The transfer function is created from the following parameters:

- Minimum and maximum rated pressure
- Voltage level at minimum and maximum rated pressure
- Clamping levels

The output is analog and ratiometric with respect to the supply voltage.

All parameters needed for the complete calibration algorithm — such as offset, gain, temperature coefficients of offset and gain, and linearization parameters — are determined after assembly. The parameters are stored in an integrated E²PROM. The E²PROM content is protected with forward error correction (a one bit error is detected and corrected, errors of more than one bit are detected and the output signal is switched to ground potential).

Clamping

The output voltage is limited internally to two clamping threshold levels. Based on this feature, the open bond detection (OBD) is simplified and improved.

Open Bond Detection

The open bond detection, in conjunction with the clamping levels, eases the implementation of error and malfunction detection strategies (e.g. for On-Board Diagnosis requirements). The microcontroller can sample the output of the sensor and compare it with programmed overvoltage and undervoltage limits. When the sensor's output voltage exceeds those limits, a broken wire condition is identified.

When the chip is not powered properly, the JFET transistors of the broken wire detection stage are self-conducting. For example, if the GND connection is interrupted, the output is drawn strongly to VDD. Similarly, if the VDD connection is broken, the output is drawn to GND.

Functional Description

2.1 Pin Configuration

Figure 1 shows the pin configuration.

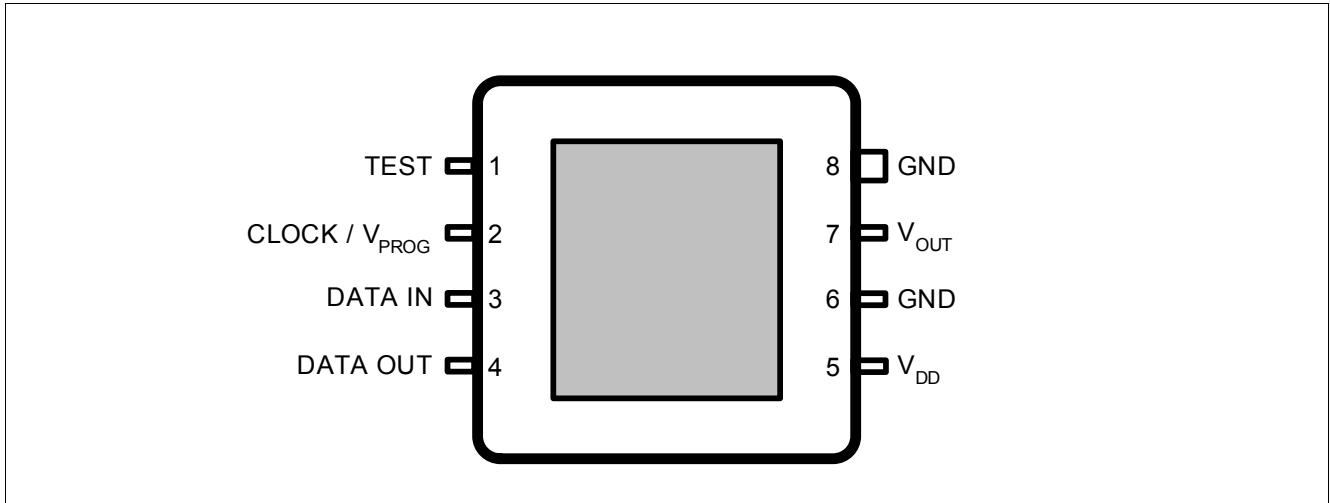


Figure 1 Pin configuration (top view, figure not to scale)

2.2 Pin Description

Table 1 shows the pin description.

Table 1 Pin Description

| Pin No. | Name | Function |
|---------|---------------------------|--|
| 1 | TEST | Test pin ¹⁾ |
| 2 | CLOCK / V _{PROG} | External clock for communication / programming voltage ¹⁾ |
| 3 | DATA IN | Serial data input pin ¹⁾ |
| 4 | DATA OUT | Serial data output pin ¹⁾ |
| 5 | V _{DD} | Supply voltage |
| 6 | GND | Circuit ground potential ²⁾ |
| 7 | V _{OUT} | Analog pressure signal output |
| 8 | GND | Circuit ground potential ²⁾ |

- 1) Digital pins are used only during calibration and test. It is recommended to leave these pins floating (in case of an open GND connection, the floating pins prevent from a cross grounding through the corresponding ESD diodes).
- 2) It is recommended to connect both GND pins.

Functional Description

2.3 Block Diagram

Figure 2 shows the functional block diagram.

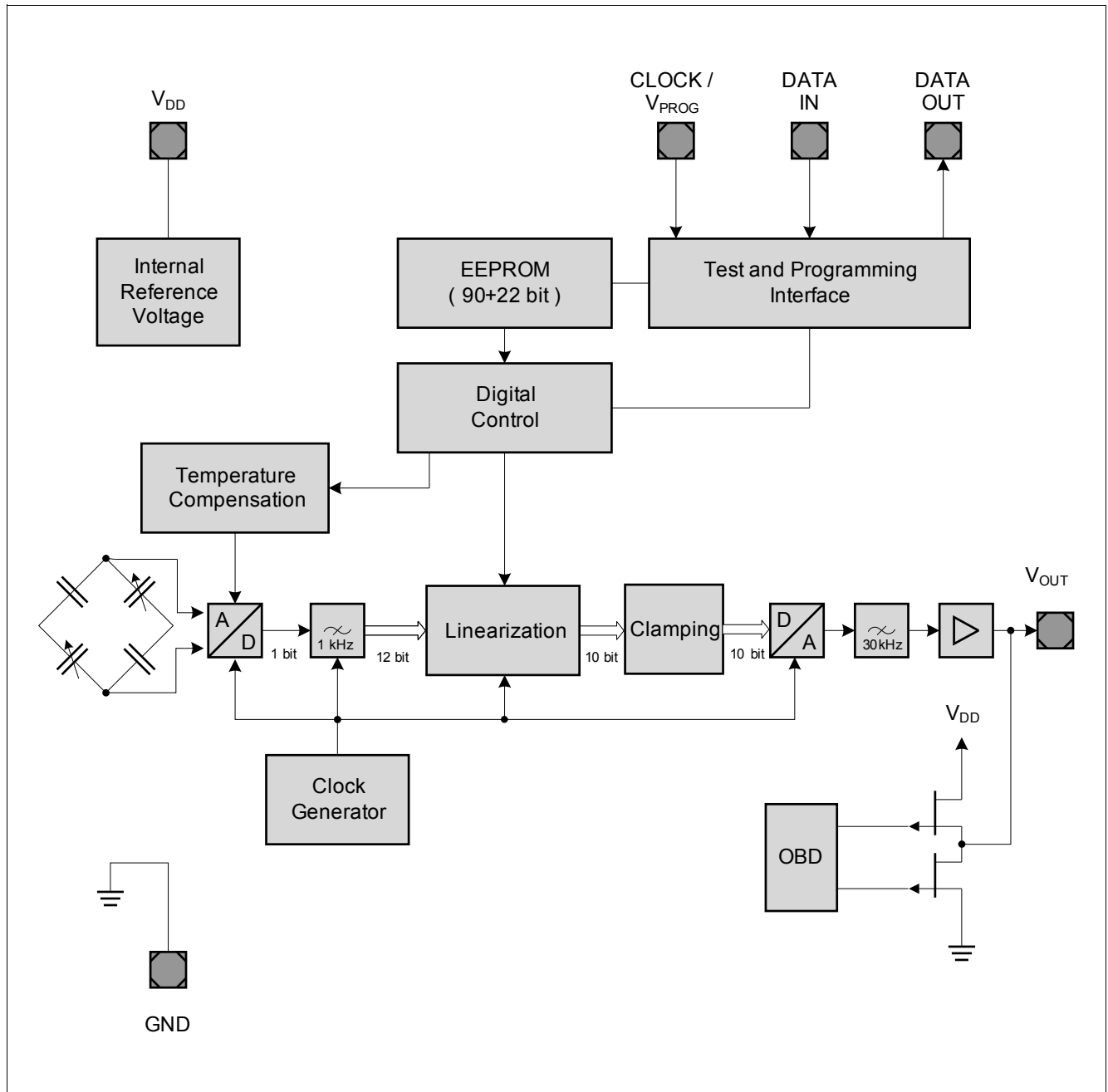


Figure 2 Functional block diagram

Functional Description

2.4 Transfer Function

The KP229F0711 device is fully calibrated on delivery. The sensor has a linear transfer function between the applied pressure and the output signal:

$$V_{OUT} = V_{DD} \times (a \times P + b)$$

The output signal is ratiometric. Gain **a** and offset **b** are determined during calibration in order to generate the required transfer function.

Calibrated Transfer Function

The following calibration is adjusted with the parameters **a** and **b**:

Table 2 Transfer function

| Pressure | | | Output Voltage @ $V_{DD} = V_{DD,Typ}$ | | | Gain and Offset | | |
|------------|--------|------|--|--------|------|-----------------|---------|-------|
| Symbol | Values | Unit | Symbol | Values | Unit | Symbol | Value | Unit |
| $p_{IN,1}$ | 20 | kPa | $V_{OUT,1}$ | 0.40 | V | <i>a</i> | 0.00370 | 1/kPa |
| $p_{IN,2}$ | 250 | kPa | $V_{OUT,2}$ | 4.65 | V | <i>b</i> | 0.00609 | – |

Note: The points $p_{IN,1}/V_{OUT,1}$ and $p_{IN,2}/V_{OUT,2}$ define the calibrated transfer function and not the operating range. The operating pressure range is defined by the parameter 2.4 “Ambient operating pressure range” on Page 16

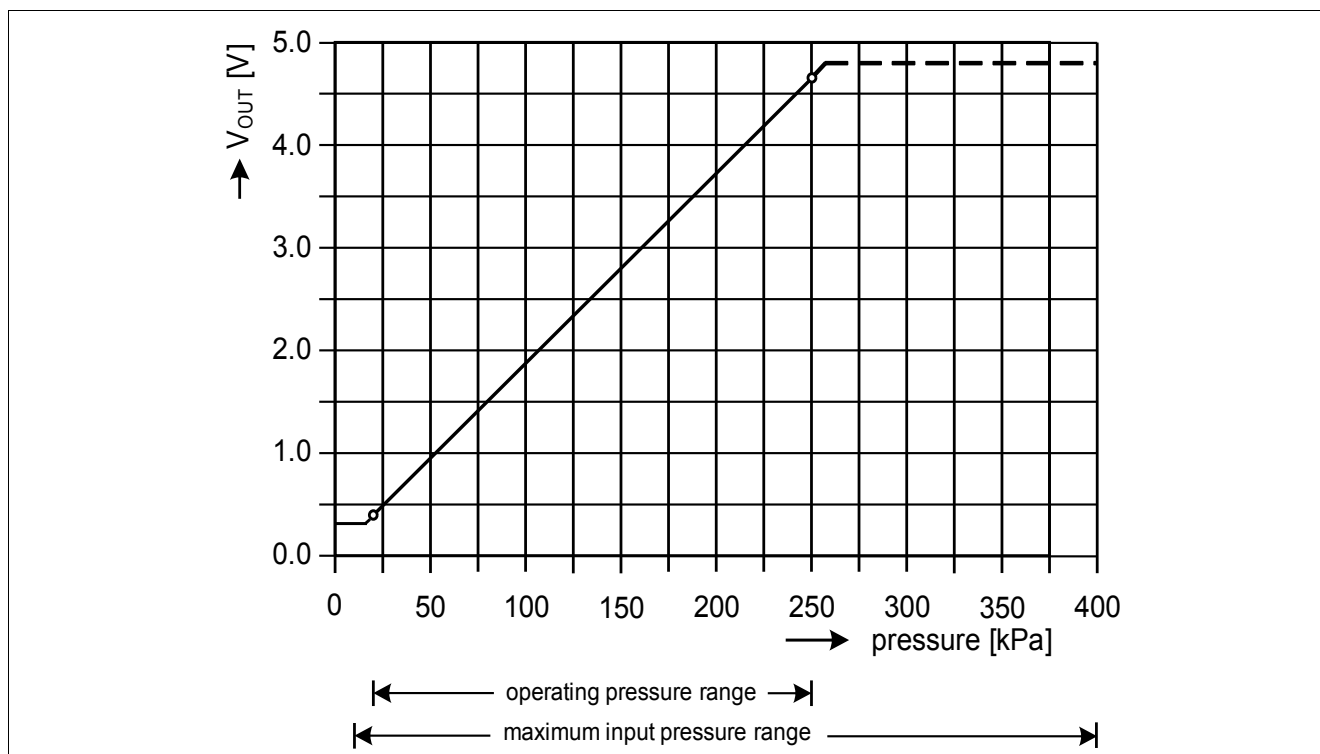


Figure 3 Transfer function

Note: The application circuitry determines the current driven by the device and thus may have an impact on the output voltage delivered by the sensor.

Functional Description

2.5 Accuracy

The accuracy of the KP229F0711 sensor is influenced by the supply voltage (ratiometric error) as well as by pressure, temperature and aging effects. The specified value, calculated with the transfer function, represents the theoretical value (see Figure 3). The error equals the deviation between the measured output voltage value and the specified output voltage value.

2.5.1 Ratiometric Error

Ideally the sensor is ratiometric - the output (V_{OUT}) scales by the same ratio that V_{DD} increases or decreases. The ratiometric error is defined as the difference between the ratio that V_{DD} changed and the ratio that V_{OUT} changed, expressed as a percentage.

$$E_{RAT} (\%) = \frac{V_{OUT}(@V_{DD}) - V_{OUT}(@5V) \times \frac{V_{DD}}{5V}}{5V} \times 100\%$$

The output voltage V_{OUT} is ratiometric to V_{DD} . V_{DD} must be in the operating range provided in Table 7.

Table 3 Ratiometric Error

| Supply voltage (V) | Max. ratiometric error (E_{RAT} in % of $V_{DD, Typ}$) |
|--------------------|--|
| $V_{DD, Min}$ | ± 0.5 |
| $V_{DD, Typ}$ | 0 |
| $V_{DD, Max}$ | ± 0.5 |

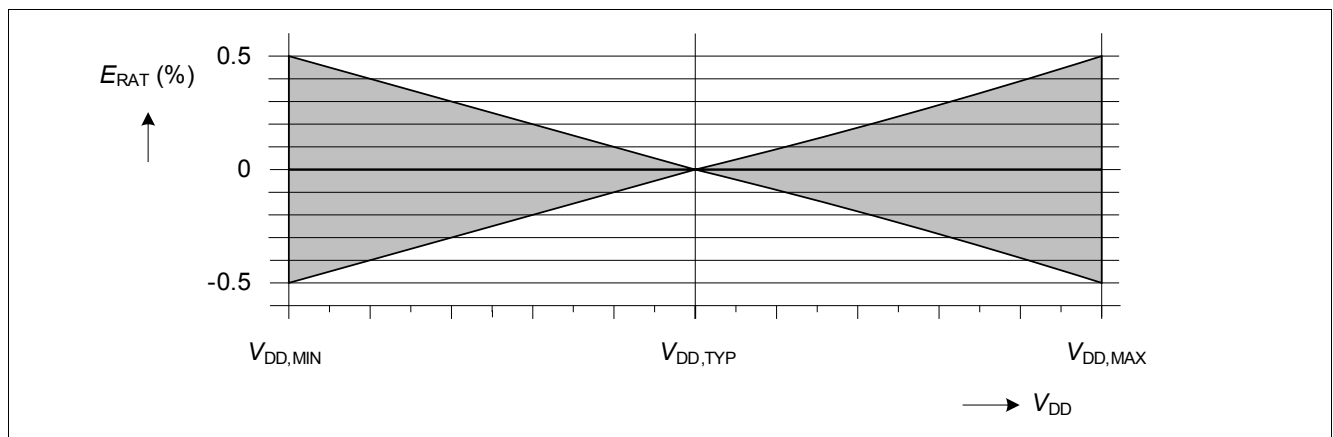


Figure 4 Ratiometric error

2.5.2 Overall Accuracy

Overall accuracy covers the entire pressure and temperature range from different sources of error including the following:

- **Pressure:**

Output deviation from target transfer function over the specified pressure range

- **Temperature:**

Output deviation over the temperature range

Functional Description

• **Aging:**

Parameter drift over life time

Note: Ratiometric signal error is not included in the overall accuracy. For error measurements, the supply voltage must have the nominal value ($V_{DD} = V_{DD,Typ}$).

The error band is determined by three continuous lines through four relevant breakpoints.

Table 4 Accuracy

| Temperature [°C] | Error [kPa] | Error Multiplier |
|------------------|-------------|------------------|
| -40 | ±5.1 | 1.5 |
| 10 | ±3.4 | 1.0 |
| 85 | ±3.4 | 1.0 |
| 130 | ±5.1 | 1.5 |

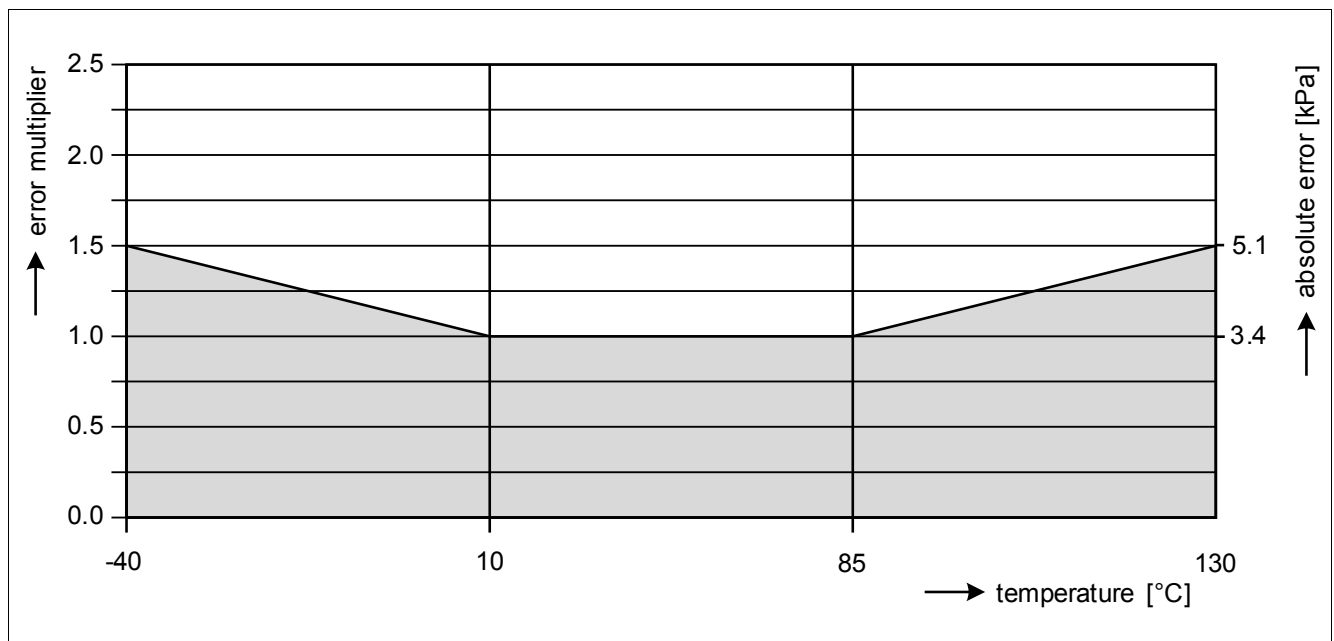


Figure 5 Accuracy for pressure acquisition

Functional Description

2.6 Output Voltage versus Load

The output voltage limits depend on:

- The value of the external load resistor.
- The type of connection (pull-up or pull-down).

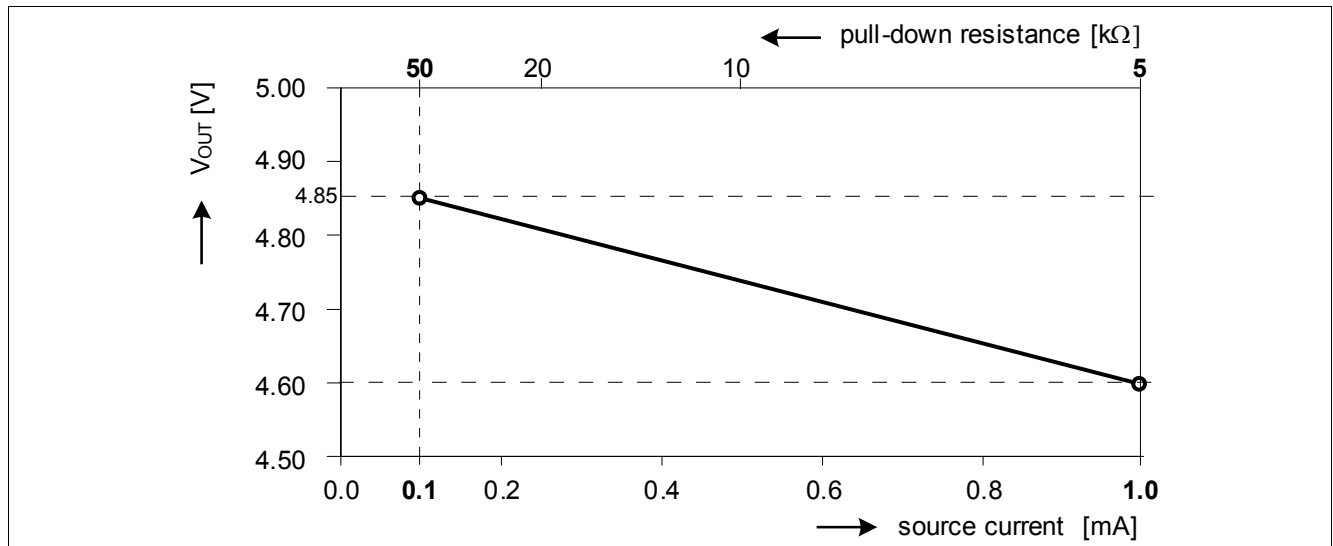


Figure 6 Maximum output voltage limit with pull-down load

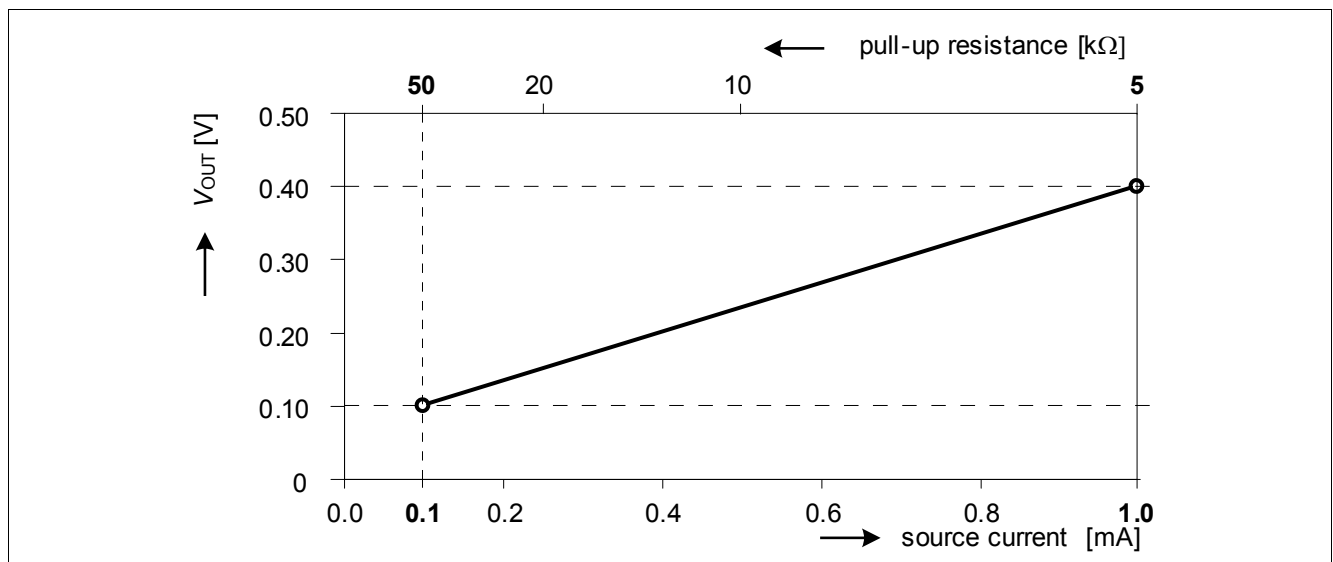


Figure 7 Minimum output voltage limit with pull-up load

Note: The values in the diagrams are valid for the entire specified temperature range. The two diagrams above do not take into account clamping levels. In case clamping levels are implemented, the output voltage is clamped accordingly.

Functional Description

2.7 Timing Properties

Power-up Time

The power-up time t_{UP} is defined as the maximum time between the supply voltage reaching its operating range and the output voltage reaching 90% of its final value (assuming pin V_{OUT} open and constant input pressure).

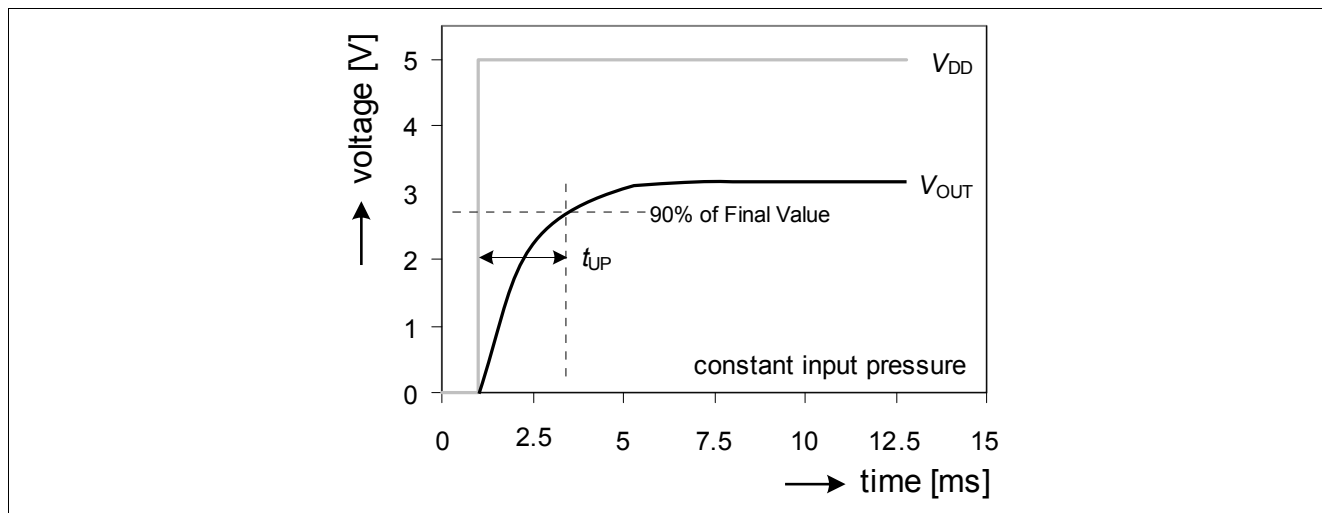


Figure 8 Power-up time

Response Time and Stabilization Time

The response time t_R is defined as the time required by the output to change from 10% to 90% of its final value after a specified pressure step (assuming pin V_{OUT} open).

The stabilization time t_S is defined as the time required by the output to meet the specified accuracy after the pressure has been stabilized (assuming pin V_{OUT} open).

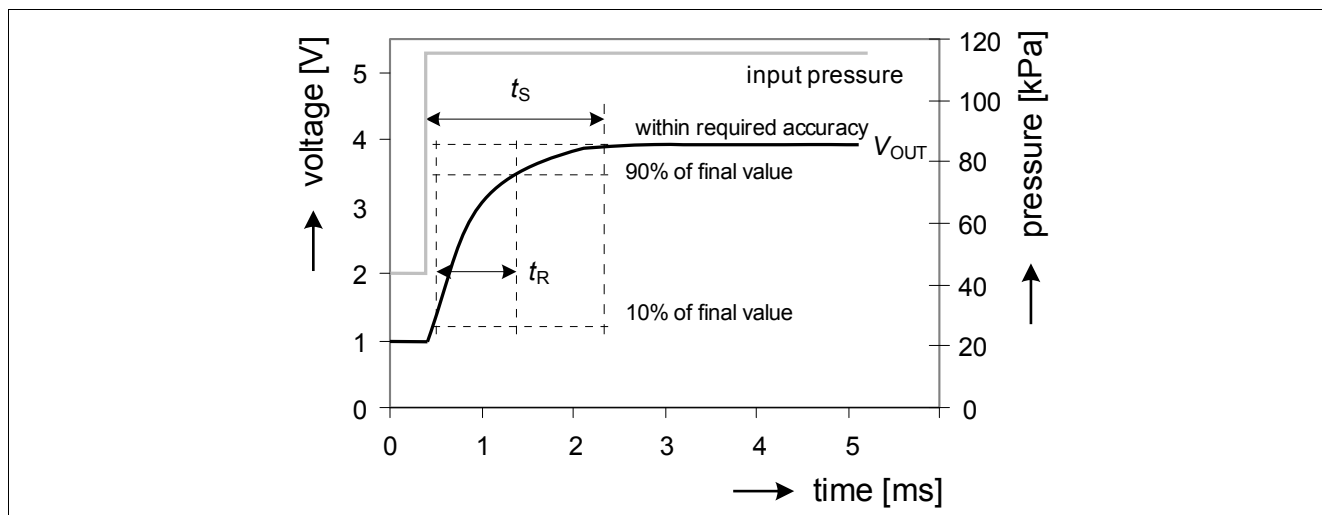


Figure 9 Response and stabilization time

Note: The values in the diagrams are valid for the entire specified temperature range.

Specification

3 Specification

3.1 Application Circuit Example

It is recommended to protect the pressure sensor IC against overload and electro-magnetic interferences (as shown in [Figure 10](#)).

The output circuit acts as a low-pass decoupling filter between the sensor IC output and the A/D input of the microcontroller.

The shown application circuit example considers an increased cable length between the sensor and the microcontroller. A combined location on a PCB with reduced distance between the sensor and the controller allows a reduction of the numbers of the passive components (e.g. C_2 , R_1 and R_2 can be omitted).

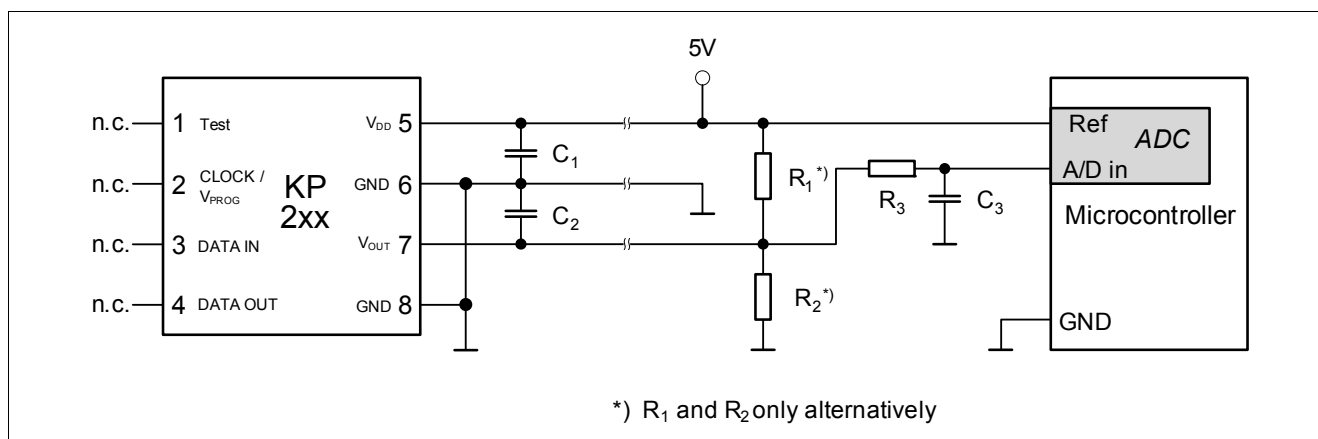


Figure 10 Application circuit example

Note: It is recommended to leave the digital pins CLOCK/ V_{PROG} , DATA IN and DATA OUT floating (in case of an open GND connection, the floating pins prevent from a cross grounding through the corresponding ESD diodes).

Table 5 Component Values

| Component | Symbol | Values | | | Unit |
|---------------------------|--------|--------|------|------|------------|
| | | Min. | Typ. | Max. | |
| Pull-Up Resistor | R_1 | 5 | 59 | 100 | k Ω |
| Pull-Down Resistor | R_2 | 5 | 59 | 100 | k Ω |
| Low Pass Resistor | R_3 | 3.9 | 22 | 100 | k Ω |
| Supply Blocking Capacitor | C_1 | 10 | 100 | 100 | nF |
| Output Blocking Capacitor | C_2 | 0 | 100 | 100 | nF |
| Low Pass Capacitor | C_3 | 10 | 100 | 100 | nF |

Specification

3.2 Absolute Maximum Ratings

Table 6 Absolute Maximum Ratings

| Parameter | Symbol | Values | | | Unit | Note or Test Condition | Number |
|--|----------------|--------------------|------|---------|------|--|--------|
| | | Min. | Typ. | Max. | | | |
| Supply voltage | V_{DD_max} | -0.3 | – | 6.5 | V | – 1 h @ 70°C Limited time: Max. 300 s | 1.1 |
| | | – | – | 16.5 | V | | |
| | | -6.5 ¹⁾ | – | – | V | | |
| Output voltage | V_{OUT} | -0.3 | – | VDD+0.3 | V | – | 1.2 |
| Voltage on CLOCK/ V_{PROG} pin | V_{CLK} | – | – | 20 | V | – | 1.3 |
| Voltage on DATA IN & DATA_OUT pins | V_{DATA} | – | – | 5 | V | – | 1.4 |
| Storage temperature | T_S | -60 | – | 150 | °C | – | 1.5 |
| Thermal resistance | R_{thJA} | – | – | 180 | K/W | Thermal resistance between the die and ambient; according to JESD51-2 | 1.6 |
| Maximum input pressure | p_{amb_max} | 10 | – | 400 | kPa | Limited time: Max. 300 s | 1.7 |
| | | | | 600 | kPa | | |
| ESD robustness (HBM: 1.5 kΩ, 100 pF) | V_{ESD} | – | – | 2 | kV | According to EIA / JESD22-A114-E | 1.8 |

1) Reverse polarity; $I_{DD} < 300$ mA

Attention: Stresses above the max. values listed in Table 6 may cause permanent damage to the device. Exposure to absolute maximum rating conditions for extended periods may affect device reliability. Maximum ratings are absolute ratings; exceeding only one of these values may cause irreversible damage to the integrated circuit.

Specification

3.3 Operating Range

The following operating conditions must not be exceeded in order to ensure correct operation of the device. All parameters specified in the following sections refer to these operating conditions, unless noted otherwise.

Table 7 Operating Range

| Parameter | Symbol | Values | | | Unit | Note or Test Condition | Number |
|----------------------------------|------------|--------|------|------|-------|---|--------|
| | | Min. | Typ. | Max. | | | |
| Supply voltage | V_{DD} | 4.5 | 5.0 | 5.5 | V | V _{OUT} is ratiometric to V_{DD} | 2.1 |
| Output current on V_{OUT} pin | I_{OUT} | - | - | 1 | mA | pull-down resistor used | 2.2 |
| | | -1 | - | - | mA | pull-up resistor used | |
| Operating temperature | T_a | -40 | - | 140 | °C | | 2.3 |
| Ambient operating pressure range | p_{amb} | 20 | - | 250 | kPa | | 2.4 |
| Lifetime ¹⁾ | t_{live} | 15 | - | - | years | | 2.5 |

1) The life time shall be considered as anticipation with regard to the product that shall not extend the agreed warranty period.

Specification

3.4 Characteristics

Table 8 Electrical Characteristics

| Parameter | Symbol | Values | | | Unit | Note or Test Condition | Number |
|--|--------------|--------|------|-------------------|--------------------------|---|--------|
| | | Min. | Typ. | Max. | | | |
| Output voltage range | V_{OUT_R} | 0.10 | – | 4.85 | V | See also section “Output Voltage versus Load” on Page 12 | 3.1 |
| Supply current | I_{DD} | – | 8 | 10 | mA | During power up a peak supply current of max. 22 mA is possible | 3.2 |
| Output referred noise | V_{NOISE} | – | – | 2.5 1.8 | mV_{RMS} mV_{RMS} | Frequency > 1 kHz ¹⁾ Frequency < 1 kHz | 3.3 |
| Response time ²⁾ | t_R | – | 0.65 | 1.0 ³⁾ | ms | 10% to 90% of the final output value | 3.4 |
| Stabilization time ²⁾ | t_S | – | – | 10 | ms | For full accuracy | 3.5 |
| Power-up time ²⁾ | t_{UP} | – | – | 5 | ms | 90% of the final output value | 3.6 |
| Broken wire: Diagnosis response time ⁴⁾ | t_{OBD} | – | – | 1 | ms | | 3.7 |
| OBD transistor on resistance | R_{DSON} | – | – | 160 | Ω | | 3.8 |

1) 200 measurements in sequence, bandwidth limited to 40kHz

2) More details in section **“Timing Properties” on Page 13**

3) The maximum response time considers a maximal value of 100nF for the output blocking capacitor C_2 and a maximum pressure pulse equivalent 4.0V output change

4) In the event of a broken wire (broken VDD line or broken GND line), the output changes to certain voltage levels within the broken wire response time. The OBD ranges are determined by the application circuitry

Specification

Table 9 Transfer Function

| Parameter | Symbol | Values | | | Unit | Note or Test Condition | Number |
|---|-----------------|--------|------|------|---------|--|--------|
| | | Min. | Typ. | Max. | | | |
| Sensitivity | S | – | 18.5 | – | mV /kPa | | 4.1 |
| Accuracy pressure (overall) ¹⁾ | acc_p | -3.4 | – | 3.4 | kPa | 10°C up to 85 °C | 4.2 |
| | | -5.1 | – | 5.1 | kPa | @ -40°C | |
| | | -5.1 | – | 5.1 | kPa | @ 130°C | |
| Ratiometric error ²⁾ | E_{RAT} | -25 | – | 25 | mV | | 4.3 |
| Lower clamping level | V_{Cl_low} | – | 0.3 | – | V | | 4.4 |
| Upper clamping level | V_{Cl_high} | – | 4.8 | – | V | | 4.5 |
| Clamping level error | ΔV_{Cl} | -30 | – | 30 | mV | Accuracy of lower and upper clamping level | 4.6 |

1) More details in section **“Overall Accuracy” on Page 10**

2) More details in section **“Ratiometric Error” on Page 10**

Package Information

4 Package Information

For passivation the sensor is covered with a transparent gel. The PG-DSOF-8-16 package is optimized regarding external mechanical stress influences. The package fulfills the solder conditions for lead-free board assembly.

4.1 PG-DSOF-8-16 Outline

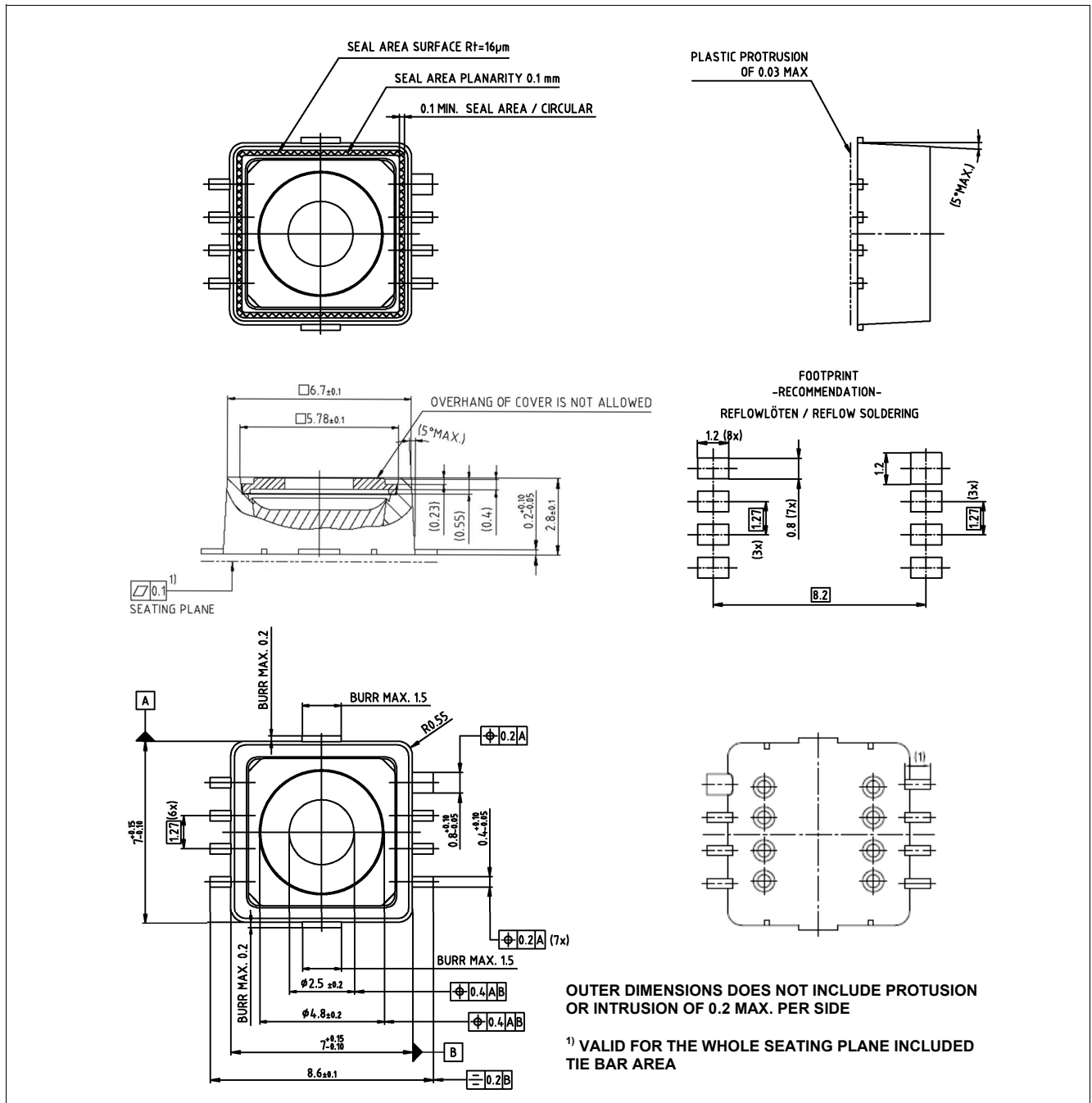


Figure 11 Package outline

Package Information

Green Product (RoHS compliant)

To meet the world-wide customer requirements for environmentally friendly products and to be compliant with government regulations the device is available as a green product. Green products are RoHS-Compliant (i.e Pb-free finish on leads and suitable for Pb-free soldering according to IPC/JEDEC J-STD-020).

4.2 Identification Code

The identification code is provided in a machine readable format. The date and sales code are provided in human readable format.

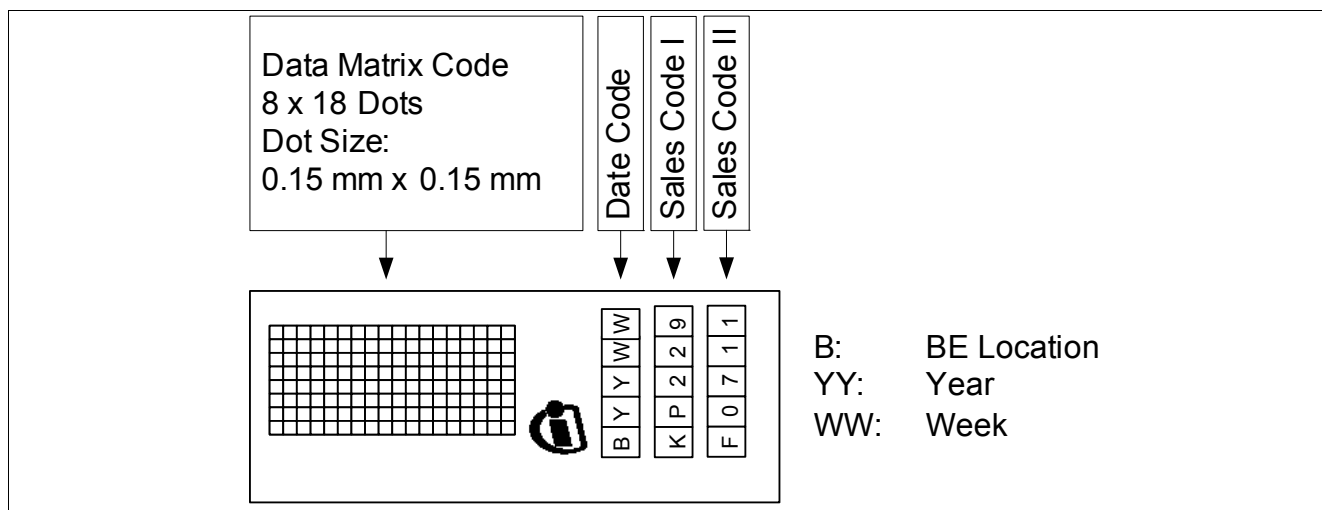


Figure 12 Identification code

The identification code for the KP229F0711 is on the same side of the package as pin 8 (GND).



Revision History

5 Revision History

Revision History

| Page or Item | Subjects (major changes since previous revision) |
|---------------------------------|--|
| Revision 1.0, 2018-04-26 | |
| | change document status from target to final |
| | |
| | |
| | |
| | |
| | |

Trademarks of Infineon Technologies AG

AURIX™, C166™, CanPAK™, CIPOS™, CIPURSE™, CoolMOST™, CoolSET™, CORECONTROL™, CROSSAVE™, DAVET™, DI-POL™, EasyPIM™, EconoBRIDGE™, EconoDUAL™, EconoPIM™, EconoPACK™, EiceDRIVER™, eupec™, FCOS™, HITFET™, HybridPACK™, I²RF™, ISOFACE™, IsoPACK™, MIPAQ™, ModSTACK™, my-d™, NovalithIC™, OptiMOS™, ORIGAT™, POWERCODE™, PRIMARION™, PrimePACK™, PrimeSTACK™, PRO-SIL™, PROFET™, RASIC™, ReverSave™, SatRIC™, SIEGET™, SINDRION™, SIPMOST™, SmartLEWIS™, SPOC™, SOLID FLASH™, TEMPFET™, thinQ!™, TRENCHSTOP™, TriCore™.

Other Trademarks

Advance Design System™ (ADS) of Agilent Technologies, AMBA™, ARM™, MULTI-ICET™, KEIL™, PRIMECELL™, REALVIEW™, THUMB™, μVision™ of ARM Limited, UK. AUTOSAR™ is licensed by AUTOSAR development partnership. Bluetooth™ of Bluetooth SIG Inc. CAT-iq™ of DECT Forum. COLOSSUS™, FirstGPS™ of Trimble Navigation Ltd. EMV™ of EMVCo, LLC (Visa Holdings Inc.). EPCOS™ of Epcos AG. FLEXGO™ of Microsoft Corporation. FlexRay™ is licensed by FlexRay Consortium. HYPERTERMINAL™ of Hilgraeve Incorporated. IEC™ of Commission Electrotechnique Internationale. IrDA™ of Infrared Data Association Corporation. ISO™ of INTERNATIONAL ORGANIZATION FOR STANDARDIZATION. MATLAB™ of MathWorks, Inc. MAXIM™ of Maxim Integrated Products, Inc. MICROTEC™, NUCLEUS™ of Mentor Graphics Corporation. MIPI™ of MIPI Alliance, Inc. MIPS™ of MIPS Technologies, Inc., USA. muRata™ of MURATA MANUFACTURING CO., MICROWAVE OFFICE™ (MWO) of Applied Wave Research Inc., OmniVision™ of OmniVision Technologies, Inc. Openwave™ Openwave Systems Inc. RED HAT™ Red Hat, Inc. RFMD™ RF Micro Devices, Inc. SIRIUS™ of Sirius Satellite Radio Inc. SOLARIS™ of Sun Microsystems, Inc. SPANSION™ of Spansion LLC Ltd. Symbian™ of Symbian Software Limited. TAIYO YUDEN™ of Taiyo Yuden Co. TEAKLITE™ of CEVA, Inc. TEKTRONIX™ of Tektronix Inc. TOKO™ of TOKO KABUSHIKI KAISHA TA. UNIX™ of X/Open Company Limited. VERILOG™, PALLADIUM™ of Cadence Design Systems, Inc. VLYNQ™ of

www.infineon.com

Edition 2018-04-26

Published by

**Infineon Technologies AG
81726 Munich, Germany**

© 2014 Infineon Technologies AG.

All Rights Reserved.

Do you have a question about any aspect of this document?

Email: erratum@infineon.com

Document reference

Legal Disclaimer

The information given in this document shall in no event be regarded as a guarantee of conditions or characteristics. With respect to any examples or hints given herein, any typical values stated herein and/or any information regarding the application of the device, Infineon Technologies hereby disclaims any and all warranties and liabilities of any kind, including without limitation, warranties of non-infringement of intellectual property rights of any third party.

Information

For further information on technology, delivery terms and conditions and prices, please contact the nearest Infineon Technologies Office (www.infineon.com).

Warnings

Due to technical requirements, components may contain dangerous substances. For information on the types in question, please contact the nearest Infineon Technologies Office. Infineon Technologies components may be used in life-support devices or systems only with the express written approval of Infineon Technologies, if a failure of such components can reasonably be expected to cause the failure of that life-support device or system or to affect the safety or effectiveness of that device or system. Life support devices or systems are intended to be implanted in the human body or to support and/or maintain and sustain and/or protect human life. If they fail, it is reasonable to assume that the health of the user or other persons may be endangered.