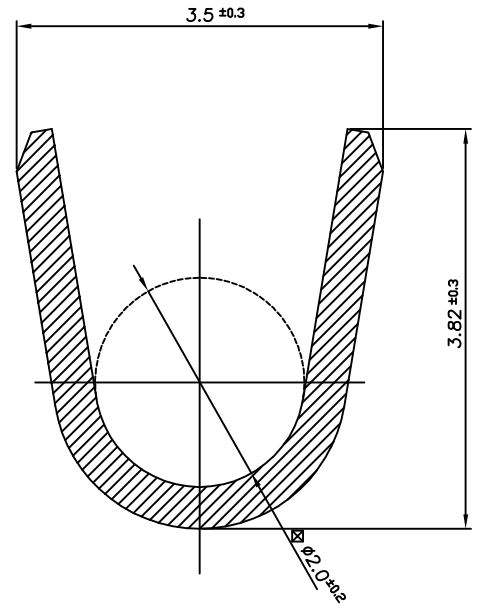
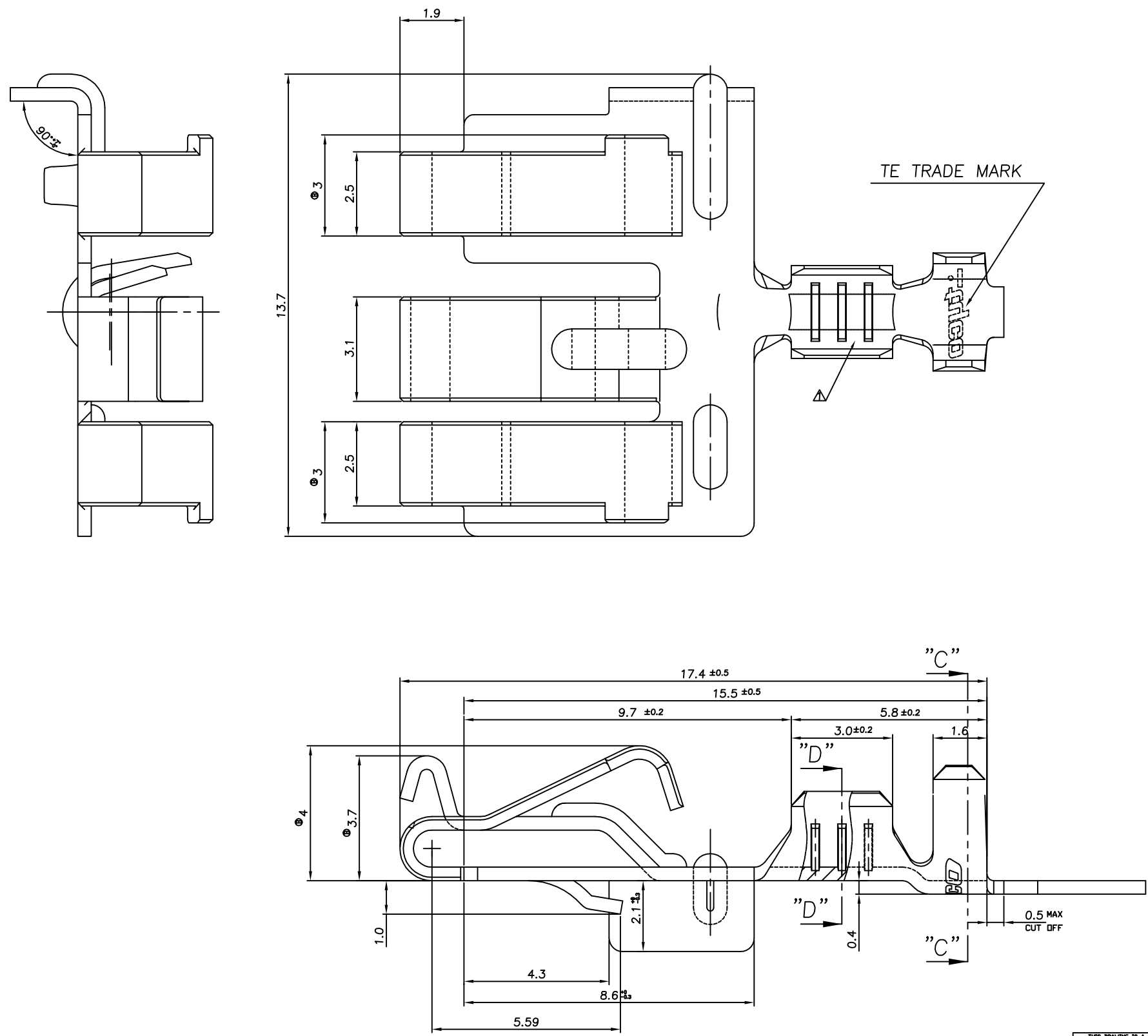
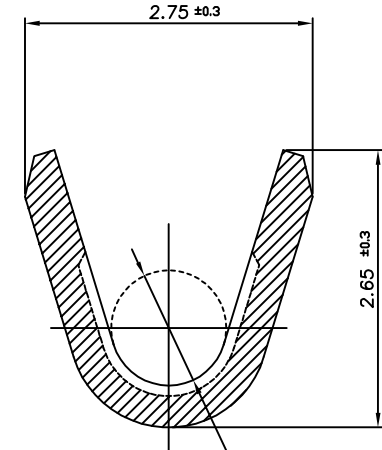


LOC		DIST		REVISIONS			
DS	-	P	LTR	DESCRIPTION	DATE	DWN	APVD
		A		RELEASED	24.JAN.'08	IS	JK
		B		REVISED	11.MAR.'08	IS	HG



SECTION "C-C"
Scale 20/1



SECTION "D-D"
Scale 20/1

* NOTES
 ▲ THREE SERRATIONS CENTERED IN WIRE BARREL.
 2 WIRE SIZE EQUIV AVS 0.5~ AVS 0.85 Sqmm.

PRE-TINNED	Cu Alloy	0.40THK.	1897370-1
FINISH	MATERIAL		PART NUMBER

THIS DRAWING IS A CONTROLLED DOCUMENT FOR TYCO ELECTRONICS CORPORATION IT IS SUBJECT TO CHANGE AND THE CONTROLLING ENGINEERING ORGANIZATION SHOULD BE CONTACTED FOR THE LATEST REVISION.		DWN IS WDD	TE Connectivity	NAME GROUND TML FOR T-20 BULB ASS'Y	
DIMENSIONS: MM	TOLERANCES UNLESS OTHERWISE SPECIFIED: Ø PLG ± 1 PLG ± 2 PLG ± 0.3 3 PLG ± 4 PLG ± ANGLES ± 2° FINISH -	CHK YM CHDI			
		APVD HG CHD			
		PRODUCT SPEC -			
		APPLICATION SPEC -			
MATERIAL -	FINISH -	WEIGHT -	SIZE CAGE CODE DRAWING NO A200779C=1897370	RESTRICTED TO -	
CUSTOMER DRAWING			SCALE 10/1	SHEET 1 OF 1	REV B