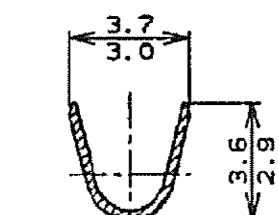
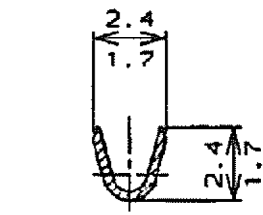
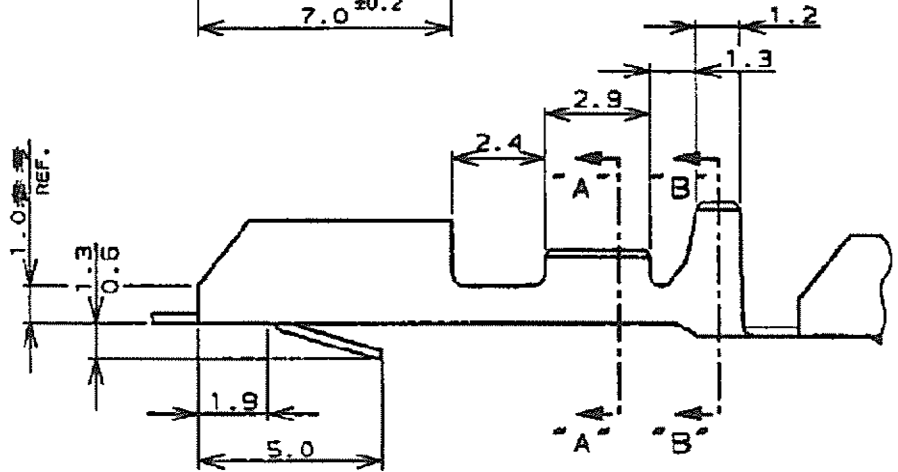
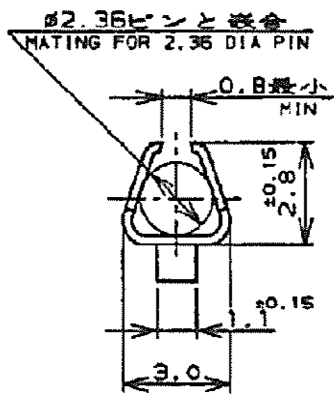
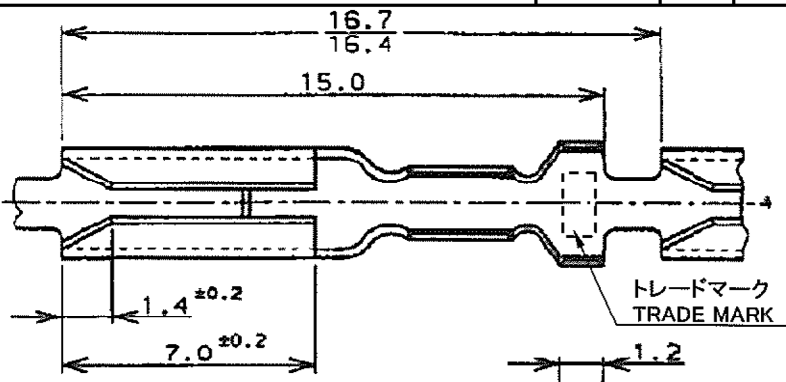


THIS DRAWING IS UNPUBLISHED. ALL RIGHTS RESERVED. © COPYRIGHT 19

REV. NO.	DATE	BY	APP'D	DESCRIPTION
M2	15NOV2017	BDA	FV	REVISED PER ECR-17-016303
M3	23SEP2019	PC	TD	REVISED PER ECR-19-012286



断面 "A" - "A" SECT.

断面 "B" - "B" SECT.

OBSOLETE	-	-	4-170073-2
OBSOLETE	-	黄銅0.25t (BRASS)	170073-7
OBSOLETE	錫めっき済・機質銅0.25t (PRE-TIN PHOS. BRONZE)	-	170073-6
	錫めっき済・黄銅0.25t (PRE-TIN BRASS)	-	170073-5
	錫めっき (POST-TIN)	黄銅0.25t (BRASS)	170073-2
	仕上 (FINISH)	材料 (MATERIAL)	型番 (PART NO.)

WIRE RANGE 適合電線断面積 0.2~0.56mm ² (AWG#24~#20)	INSULATION DIA 被覆外径 1.2~2.79mm
---	--------------------------------------

DIMENSIONS:
単位 ㎜

TOLERANCES UNLESS OTHERWISE SPECIFIED.

~~長さ 10㎜ ±0.2
 30 ±0.25
 100 ±0.3
 角度 ±0.3°~~

±0.25
±1.0°

OWN: *N. Nishino* 4/24 96

CHK: *S. Sugita* 24 APR '96

APVD: *S. Sugita* 25 APR '96

PRODUCT SPEC
製品規格
108-5014
108-5054

APPLICATION SPEC
取付適用規格

WEIGHT

CUSTOMER DRAWING

MATERIAL: 表参照 SEE TABLE

FINISH: 仕上 表参照 SEE TABLE

STE TE Connectivity

NAME: **φ2.36用ピンリセアタクル**
2.36 DIA PIN RECEPTACLE

SIZE: **A4** CAGE CODE: **00779** DRAWING NO: **170073**

SCALE: 尺 1:5 SHEET 1 OF 1 REV M3

顧客用図面