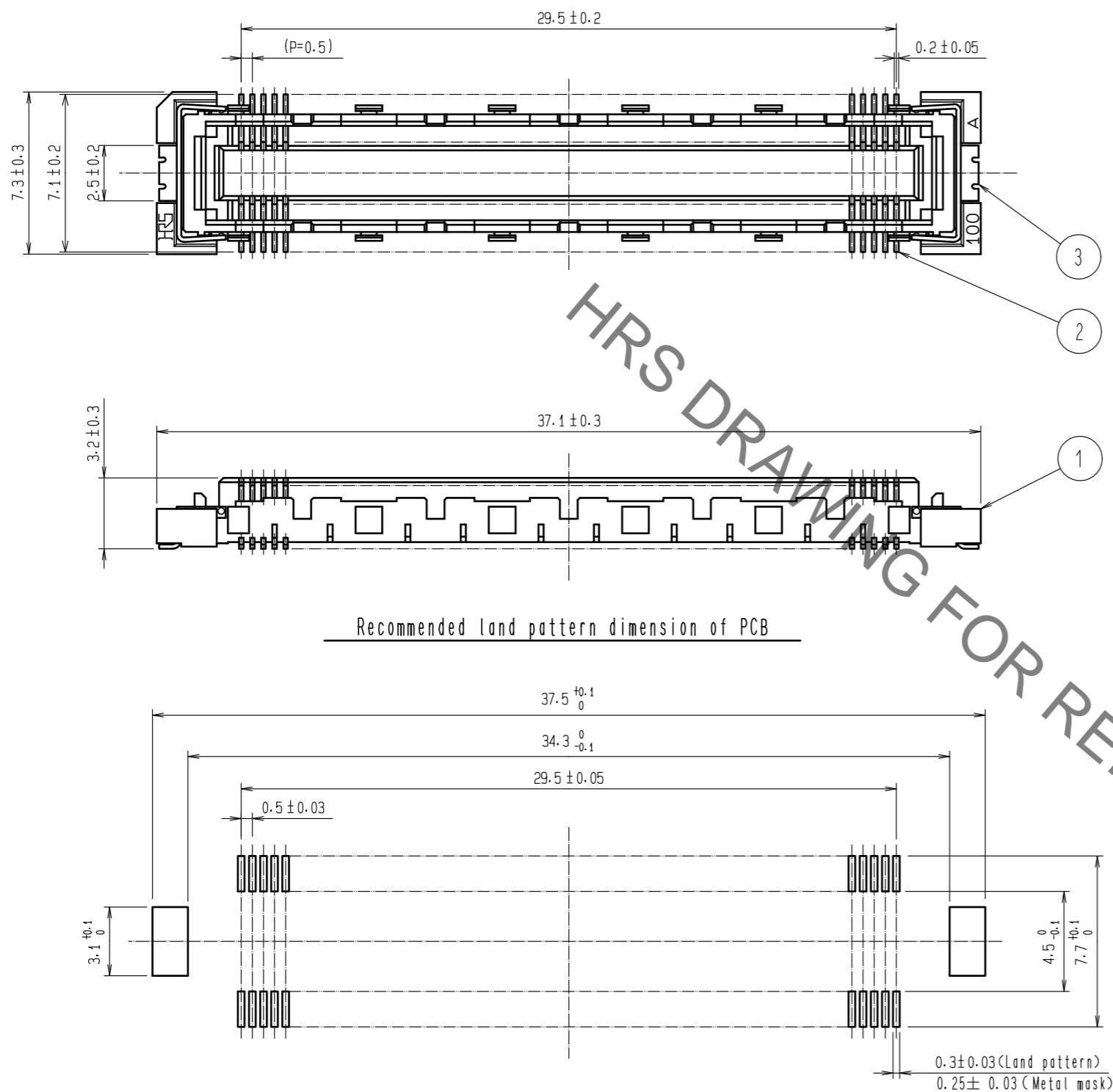


May.1.2023 Copyright 2023 HIROSE ELECTRIC CO., LTD. All Rights Reserved.  
 In case of consideration for using Automotive equipment / device which demand high reliability, kindly contact our sales window correspondents.



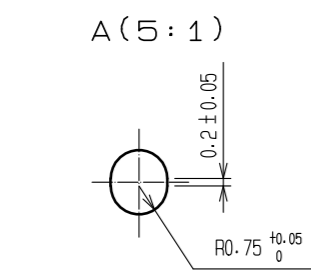
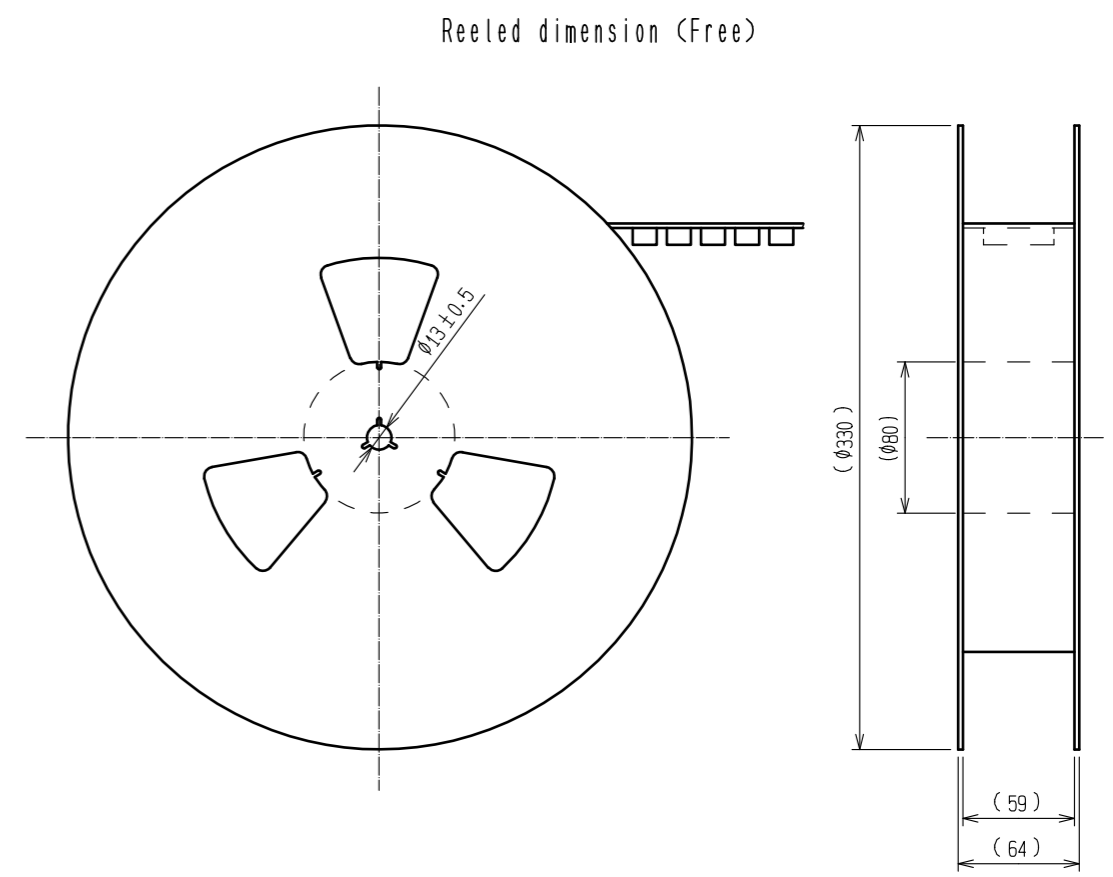
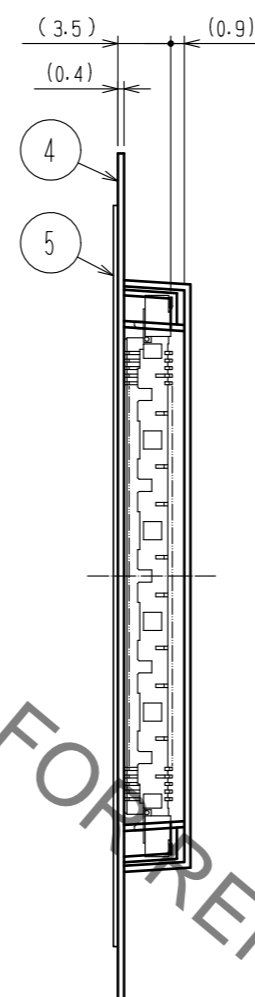
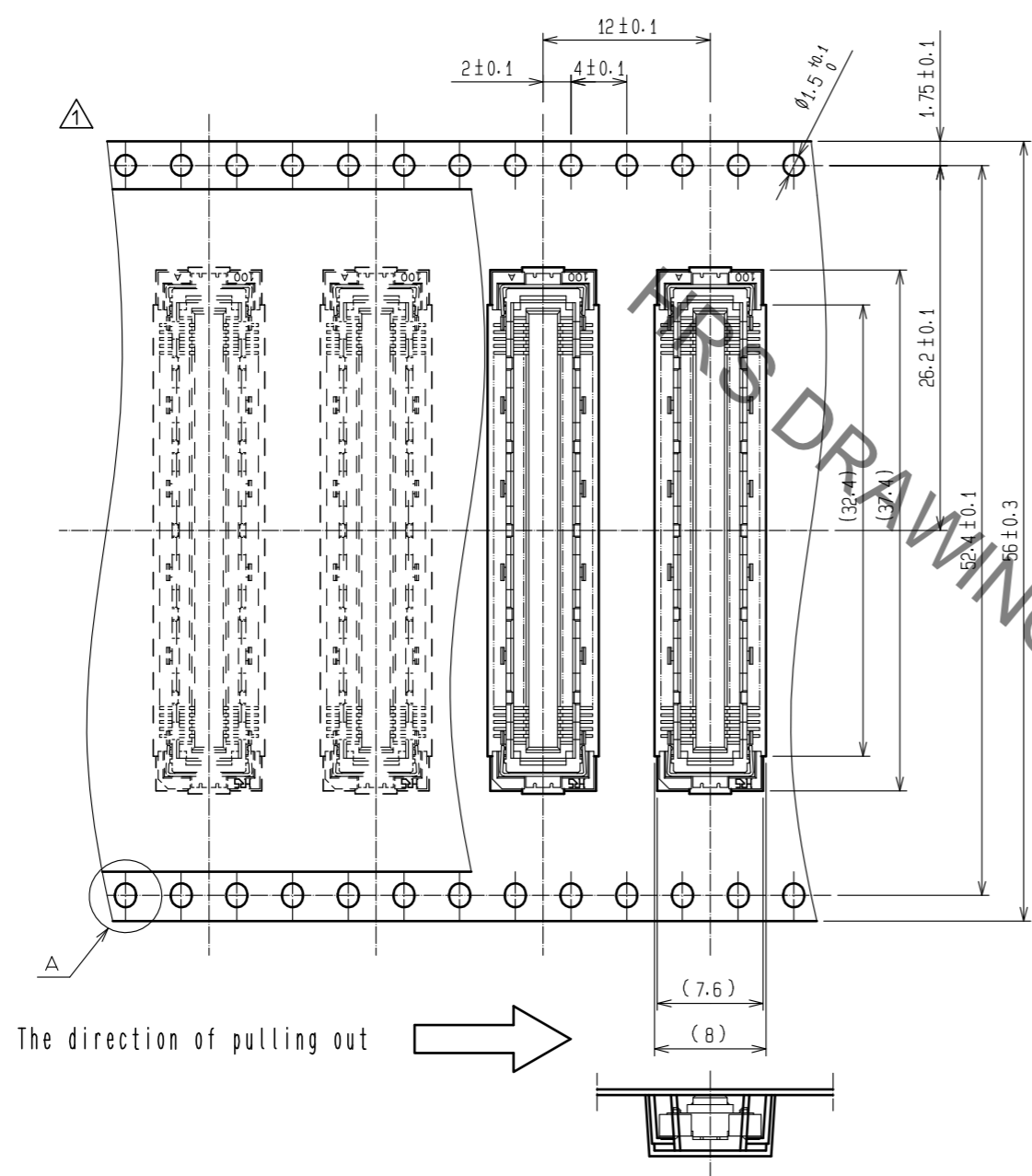
HRS DRAWING FOR REFERENCE

- Notes
- 1 SMT lead - coplanarity : 0.1 max.
  - 2 This product has no polarity to pattern for mounting.
  - 3 Emboss carrier tape package is applied on this product.  
Please refer to the sheet 2/2 for the details.

2	Phosphor bronze	Contact area : Gold 0.1 μm min	5	Polyester	(Top cover tape)		
		Lead : Gold 0.05 μm min		Polyethylene	(Emboss carrier tape)		
		Under plating : Nickel 1 μm min		Phosphor bronze	Tin - plating		
1	LCP	Beige UL94V-0	3				
NO.	MATERIAL	FINISH . REMARKS	NO.	MATERIAL	FINISH . REMARKS		
UNITS mm		SCALE 4 : 1	COUNT 1	DESCRIPTION OF REVISIONS DIS-F-00011032	DESIGNED MT. ITANO	CHECKED HT. YAMAGUCHI	DATE 20211007
<b>HRS</b> HIROSE ELECTRIC CO., LTD.		APPROVED : KJ. KATAYOSE	20050105	DRAWING NO.	EDC3-151989-01		
		CHECKED : HS. OKAWA	20050105	PART NO.	FX10B-120S-SV(21)		
		DESIGNED : KT. DOI	20050105	CODE NO.	CL0570-0252-5-21		
		DRAWN : KT. DOI	20050105				

May.1.2023 Copyright 2023 HIROSE ELECTRIC CO., LTD. All Rights Reserved.  
In case of consideration for using Automotive equipment / device which demand high reliability, kindly contact our sales window correspondents.

# Drawing for packing (2:1)



- Notes
- 4 1 reel : 1,000 connectors.
  - 5 Minimum 10 compartments from both reel ends remain empty.
  - 6 This product has no polarity to tape and reel packaging.
  - 7 The dimensions in parentheses are for reference.

<b>HRS</b>	DRAWING NO.	EDC3-151989-01	2/2
	PART NO.	FX10B-120S-SV(21)	
	CODE NO.	CL0570-0252-5-21	