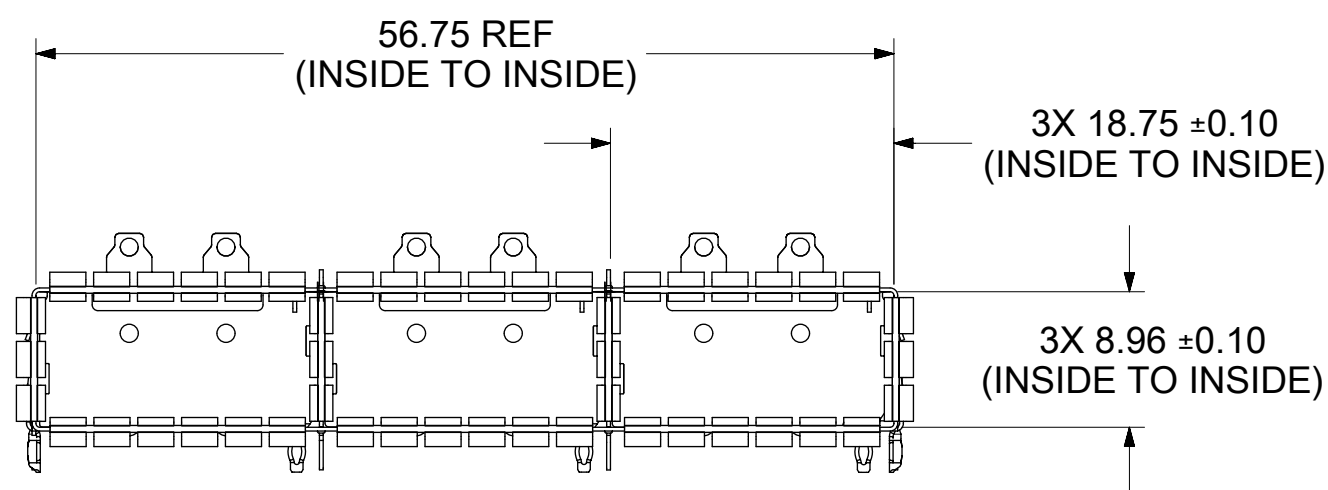
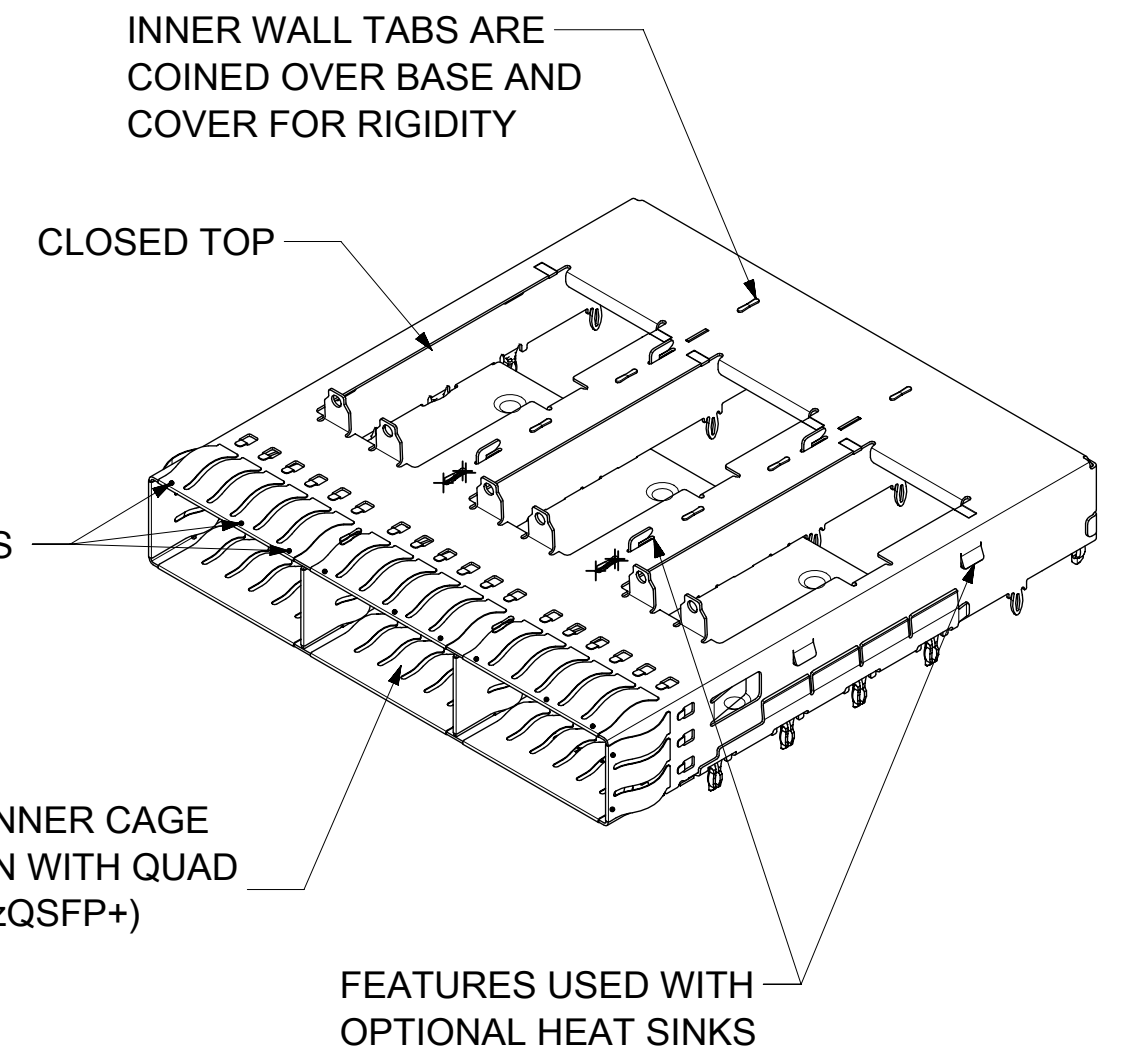
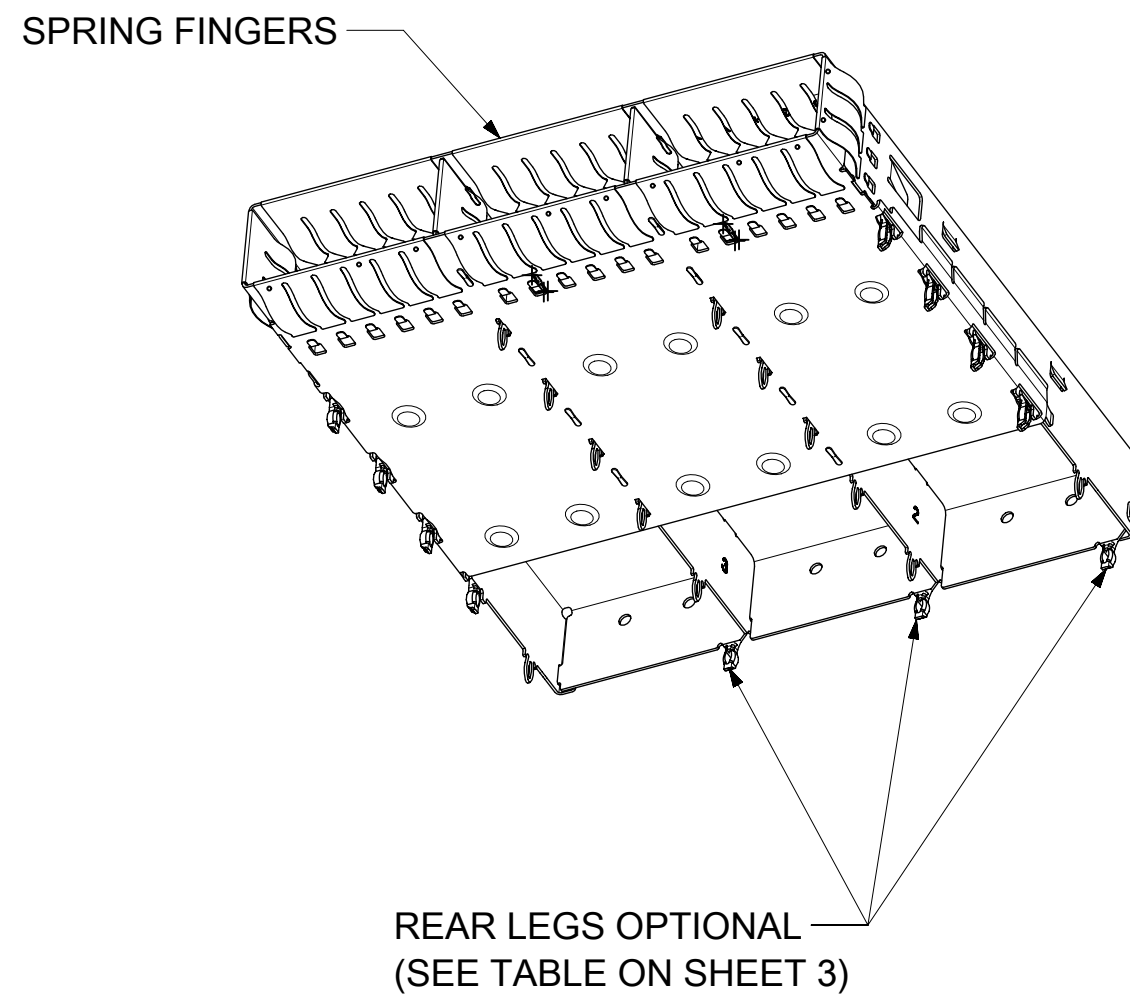
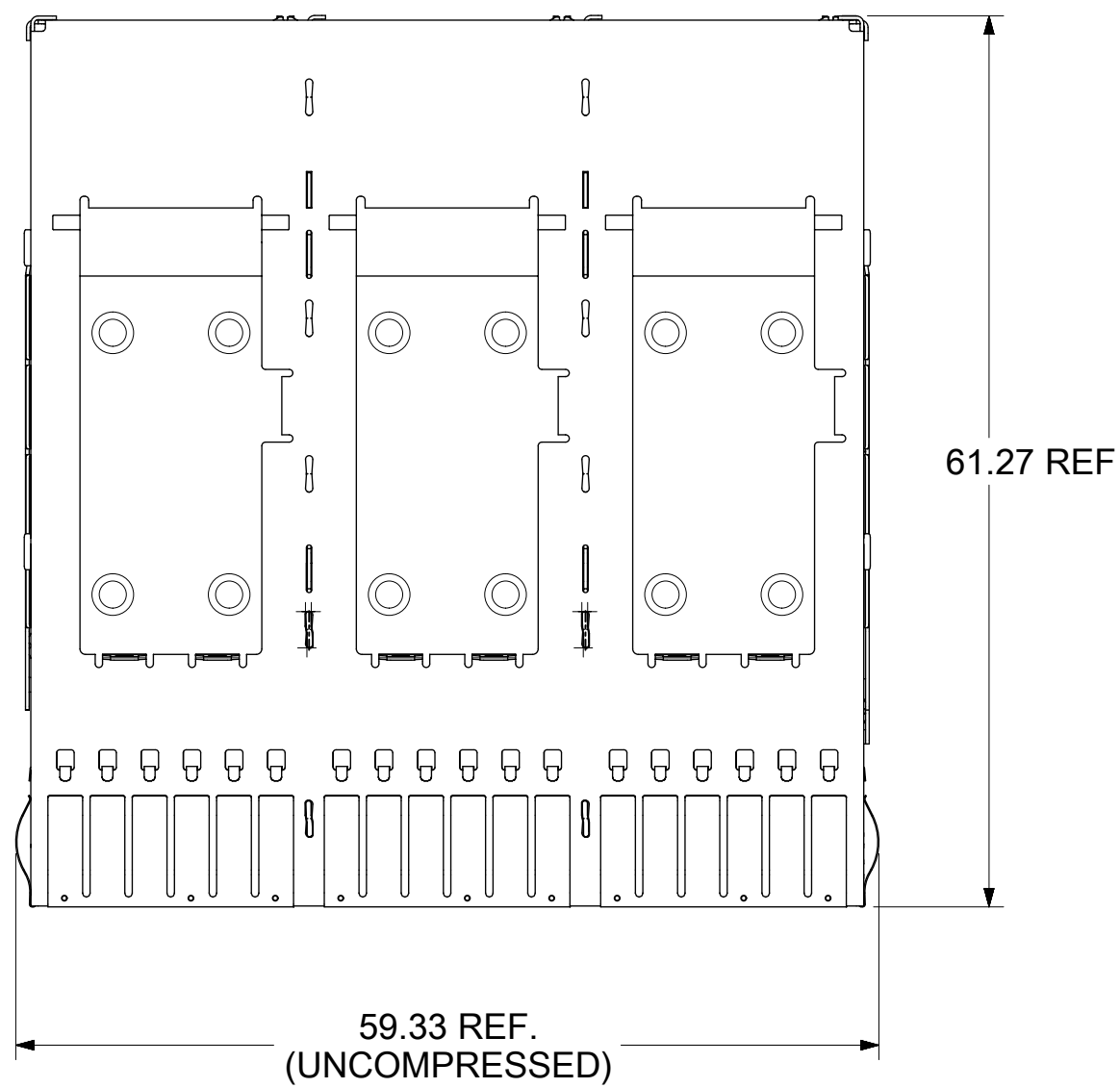


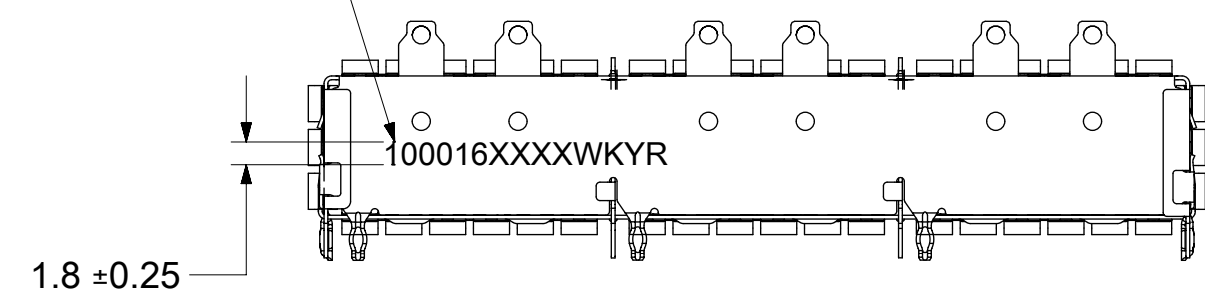
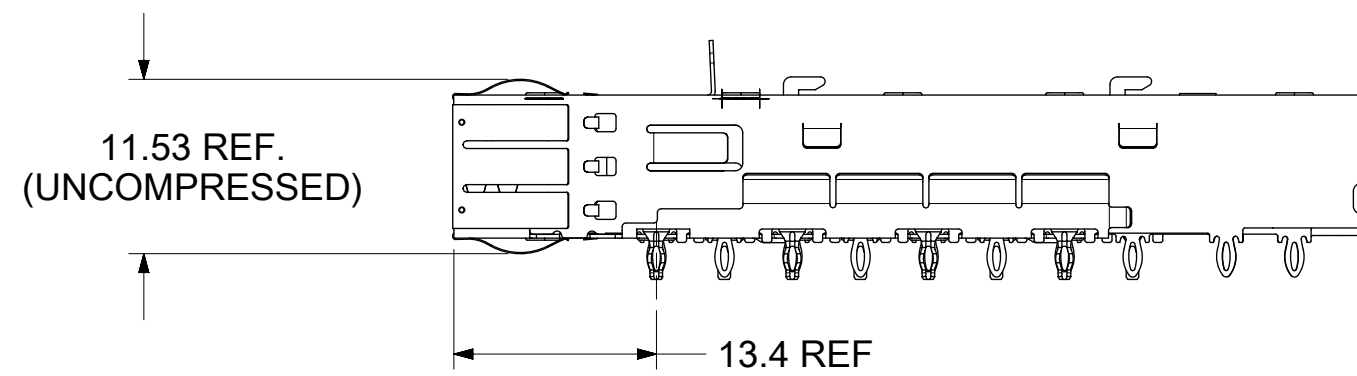
# BASE CAGE DETAILS

1000163252

SHOWN



P/N AND WEEK/YEAR DATE CODE TO BE PRINTED ON  
BACK OF COMPLETED CAGE ASSEMBLY APPROXIMATELY AS SHOWN.  
SEE TABLE BELOW FOR DATE CODE INFORMATION



- NOTES:
- MATERIAL: CAGE: STAINLESS STEEL  
CENTER WALLS: STAINLESS STEEL  
SPRING FINGERS: STAINLESS STEEL  
HEAT SINKS: NICKEL PLATED ALUMINUM  
HEAT SINK CLIP: STAINLESS STEEL  
LIGHT PIPES: POLYCARBONATE (UL 94-V-0)
  - DIMENSIONS MARKED  $\nabla$  ARE CRITICAL TO FUNCTION OF THE PART AND MUST BE INSPECTED
  - DRAWING APPLIES TO ALL P/N'S SHOWN ON PAGE 3
  - DURING FINAL INSPECTION, CAGE LEG LOCATIONS AND STRAIGHTNESS MUST BE CHECKED USING APPROPRIATE GO - NO GO GAGE
  - DURING FINAL INSPECTION, CAGE MUST BE INSPECTED TO MAKE SURE LEG CONFIGURATIONS AND PART NUMBERS ARE CORRECT, USE SHEETS 3, 4 AND 5
  - PARTS TO BE INSPECTED PER MOLEX COSMETIC SPEC WI-HP-7-2774 (CLASS B UNLESS OTHERWISE SPECIFIED)
  - PRESS-FIT LEGS 2.44 LONG -  
1.57 MINIMUM PCB THICKNESS FOR SINGLE SIDED USE.  
2.70 MINIMUM PCB THICKNESS FOR BELLY TO BELLY USE.
  - NO RoHS EXEMPTIONS
  - WELD SPOTS MAY SHOW MATERIAL DISCOLORATION

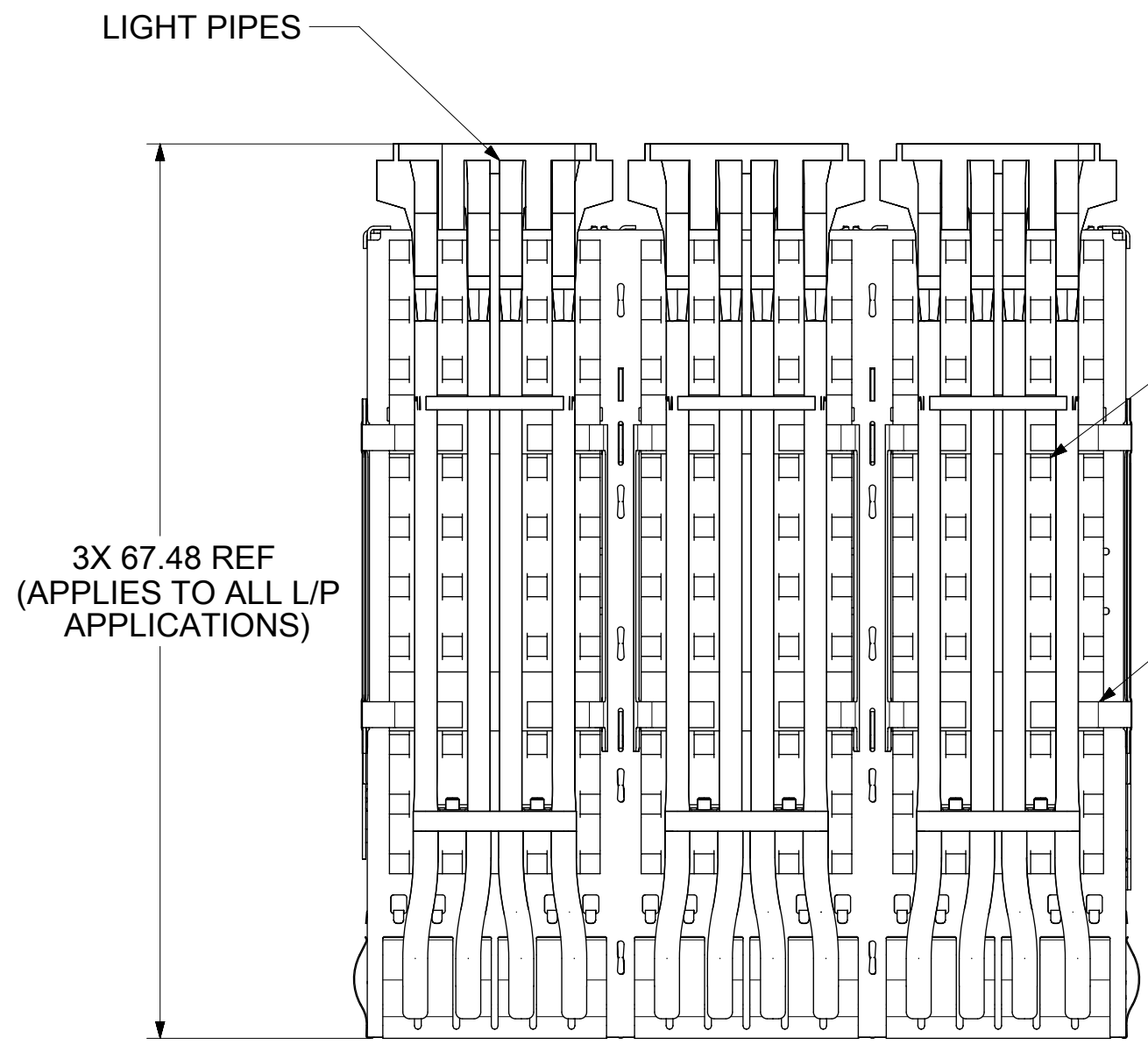
WEEK/YEAR DATE CODE TABLE	
WK	WEEK OF THE YEAR 01 THRU 52 (EXAMPLE: 01= FIRST WEEK OF YEAR 52= LAST WEEK OF YEAR)
YR	22, 23, 24 ETC.. (EXAMPLE: YEAR 2022= 22)

THIS DRAWING CONTAINS INFORMATION THAT IS PROPRIETARY TO MOLEX ELECTRONIC TECHNOLOGIES, LLC AND SHOULD NOT BE USED WITHOUT WRITTEN PERMISSION									
FUNCTIONAL SYMBOLS	DIMENSION UNITS	SCALE	CURRENT REV DESC: SEE REV TABLE						
	mm	2:1	<p>EC NO: 698867</p> <p>DRWN: VISHNM2 2022/02/22</p> <p>CHK'D: TKUMARKC 2022/03/16</p> <p>APPR: JCHIANG 2022/03/17</p> <p>INITIAL REVISION:</p> <p>DRWN: VISHNM2 2022/02/22</p> <p>APPR: JCHIANG 2022/03/17</p>						
GENERAL TOLERANCES (UNLESS SPECIFIED)									
ANGULAR TOL ± 2.0°									
4 PLACES ±									
DIVISIONAL SYMBOLS	3 PLACES ±		PRODUCT CUSTOMER DRAWING						
	2 PLACES ± 0.13		DOCUMENT NUMBER						
	1 PLACE ± 0.25		1000163200						
	0 PLACES ±		DOC TYPE   DOC PART   REVISION						
DRAFT WHERE APPLICABLE MUST REMAIN WITHIN DIMENSIONS		THIRD ANGLE PROJECTION	DRAWING	SERIES	MATERIAL NUMBER	CUSTOMER	SHEET NUMBER		
			C-SIZE	100016	SEE P/N TABLE	GENERAL MARKET	1 OF 7		

# CAGE ASSEMBLY OPTIONS

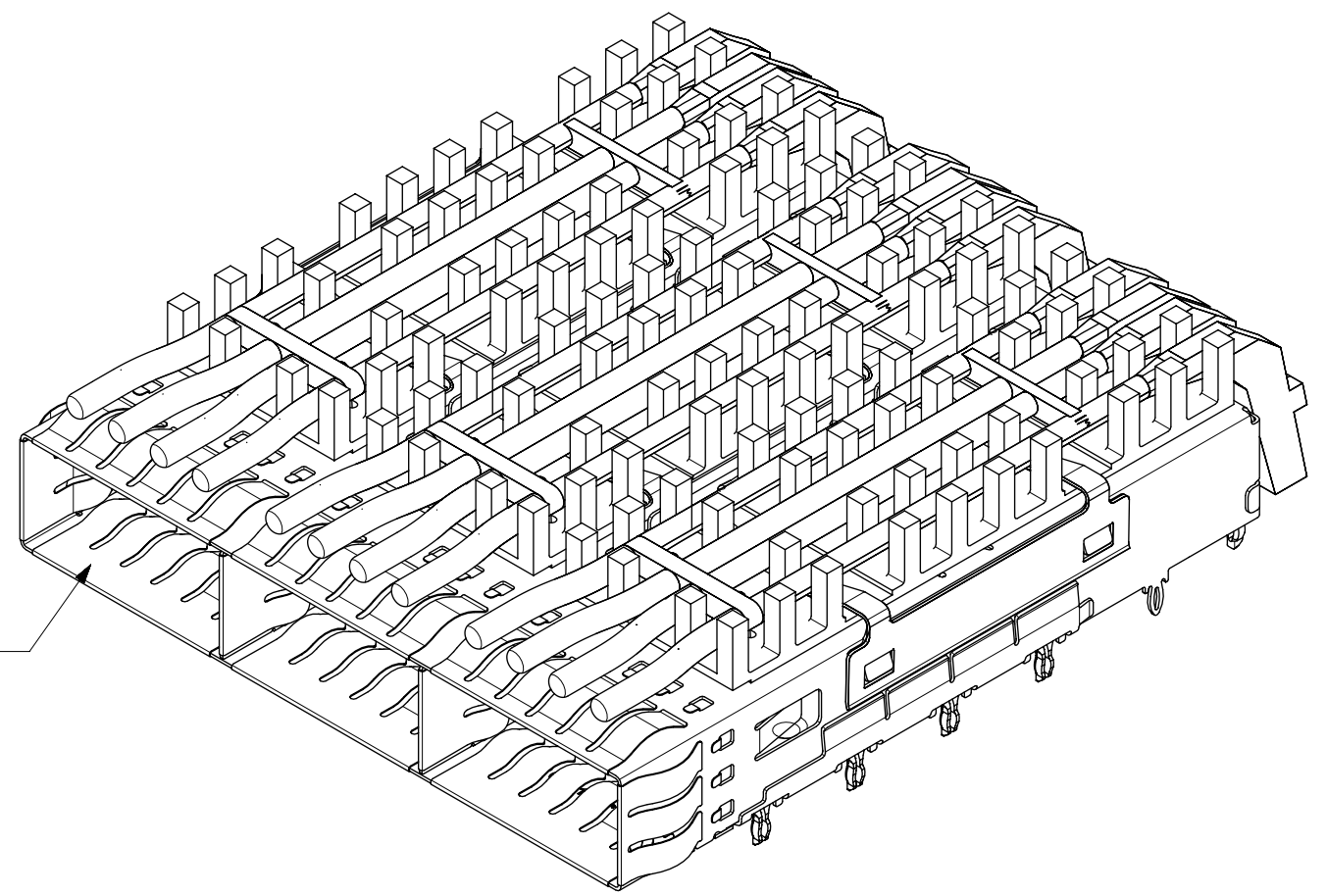
1000163547

SHOWN

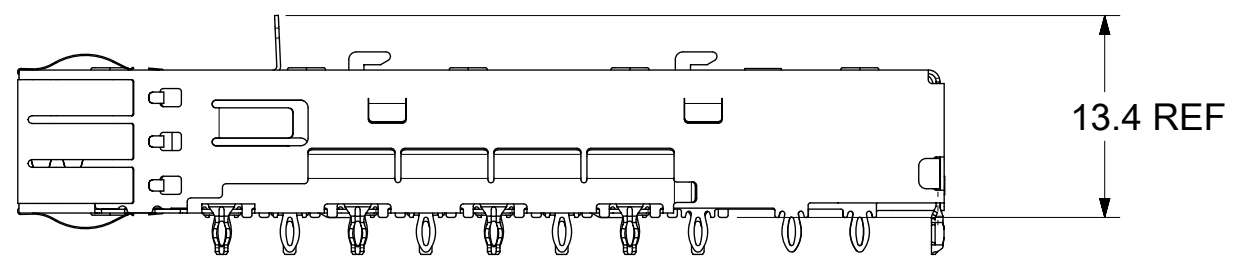


HEAT SINKS

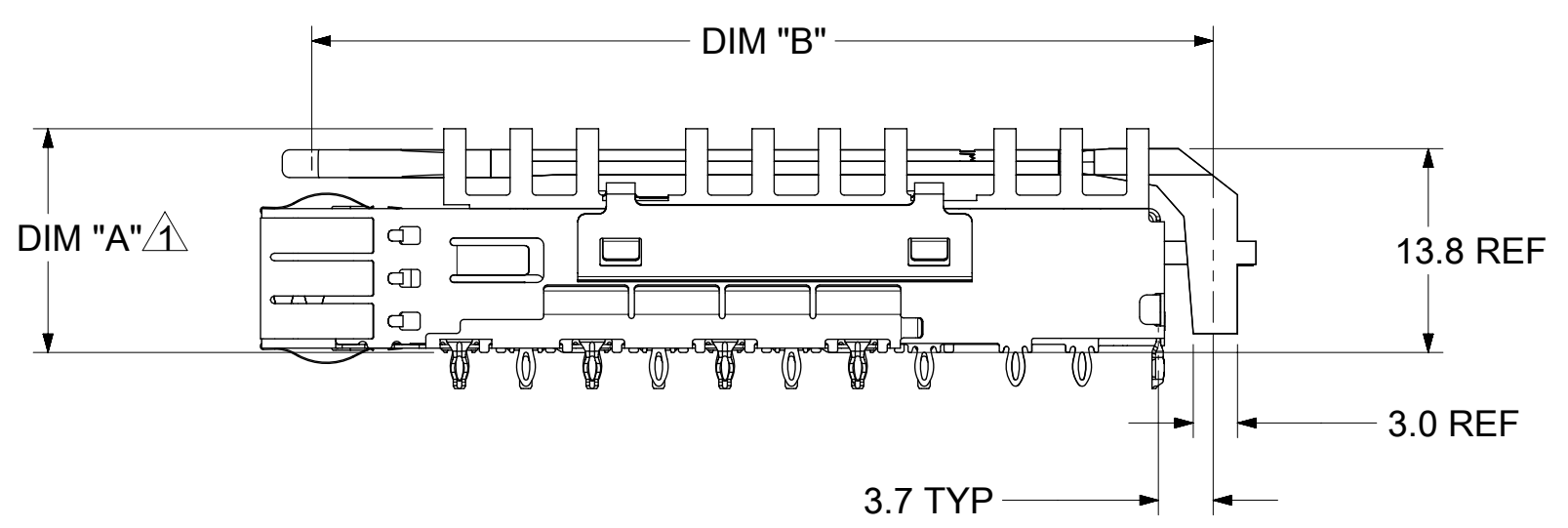
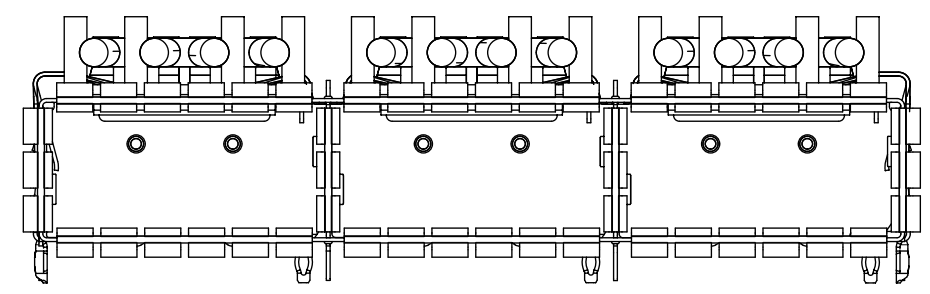
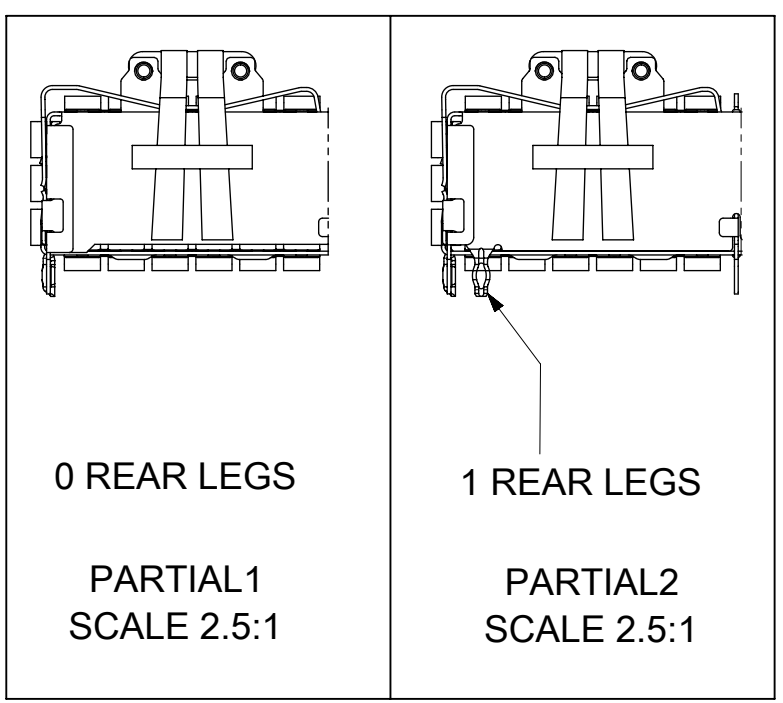
HEAT SINK/CLIP ASSY



SPRING FINGER



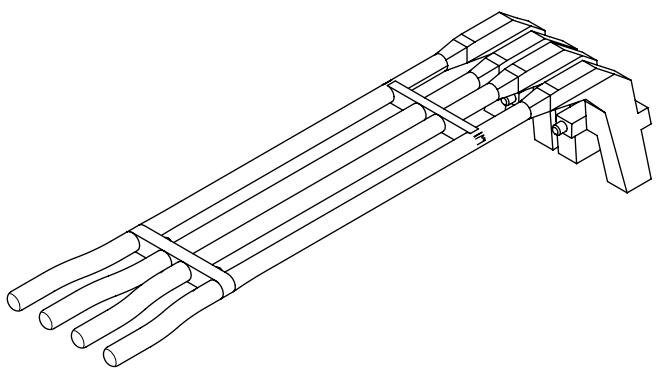
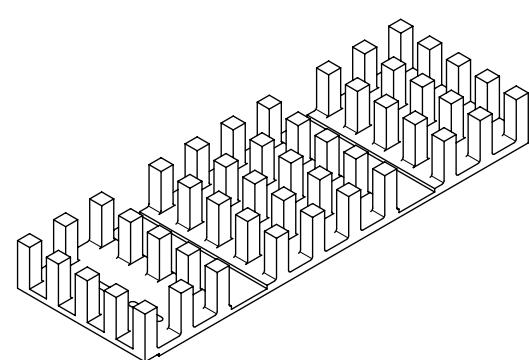
## REAR LEG OPTIONS



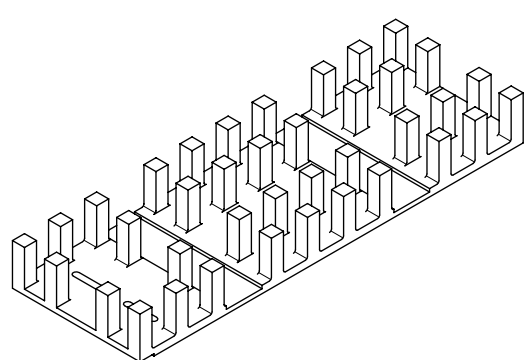
## HEATSINK AND LIGHT PIPE COMBINATIONS

HEATSINK USED WITHOUT LIGHTPIPE

QUAD LIGHT PIPE



HEATSINK



## HEATSINK HEIGHT OPTIONS

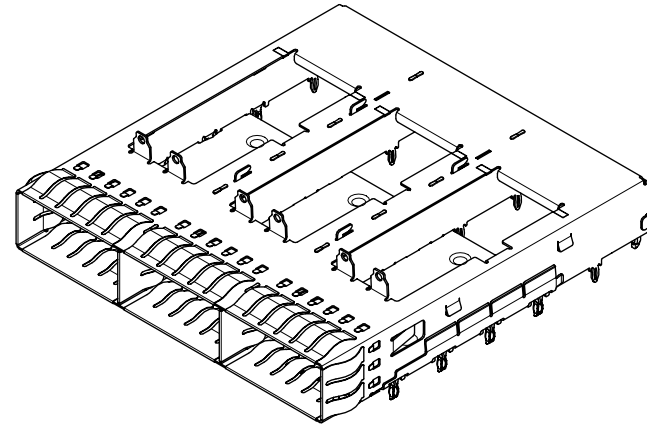
OVERALL HEAT SINK HEIGHT	DIM "A"
PCI	13.7 REF
SAN	16.0 REF
NET	23.0 REF

HEIGHT OF HEAT SINK WITH MODULE INSERTED. DIMENSION MAY BE LESS DUE TO MODULE AND HEAT SINK VARIATIONS

FUNCTIONAL SYMBOLS M = 0 E = 0 P = 0	THIS DRAWING CONTAINS INFORMATION THAT IS PROPRIETARY TO MOLEX ELECTRONIC TECHNOLOGIES, LLC AND SHOULD NOT BE USED WITHOUT WRITTEN PERMISSION		CURRENT REV DESC: SEE REV TABLE	
	DIMENSION UNITS <b>mm</b>	SCALE <b>2:1</b>		
DIVISIONAL SYMBOLS	GENERAL TOLERANCES (UNLESS SPECIFIED)		EC NO: 698867	
	ANGULAR TOL ± 2.0°		DRWN: VISHNM2	2022/02/22
	4 PLACES ±		CHK'D: TKUMARKC	2022/03/16
	3 PLACES ±		APPR: JCHIANG	2022/03/17
2 PLACES ± 0.13		INITIAL REVISION:		
1 PLACE ± 0.25		DRWN: VISHNM2	2022/02/22	
0 PLACES ±		APPR: JCHIANG	2022/03/17	
DRAFT WHERE APPLICABLE MUST REMAIN WITHIN DIMENSIONS		THIRD ANGLE PROJECTION	DRAWING	SERIES
			<b>C-SIZE</b>	<b>100016</b>
DOCUMENT STATUS		DOC TYPE	DOC PART	REVISION
P1	RELEASE DATE	1000163200	PSD	ASY
2022/03/17	10:10:57	GENERAL MARKET		<b>A</b>
MATERIAL NUMBER		CUSTOMER	SHEET NUMBER	
SEE P/N TABLE		GENERAL MARKET	2 OF 7	

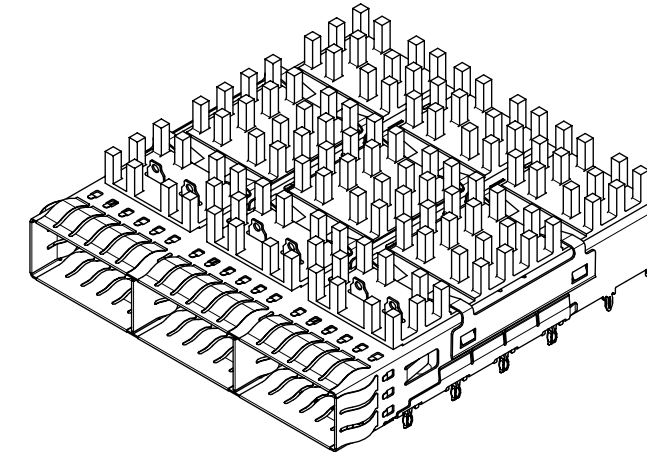
# PART NUMBER SELECTION

NO HEATSINKS  
NO LIGHT PIPES  
OPEN TOP



MOLEX P/N W/ SPRING FINGERS	#OF REAR LEGS PER PORT
1000163252	1

WITH HEATSINKS  
NO LIGHT PIPES

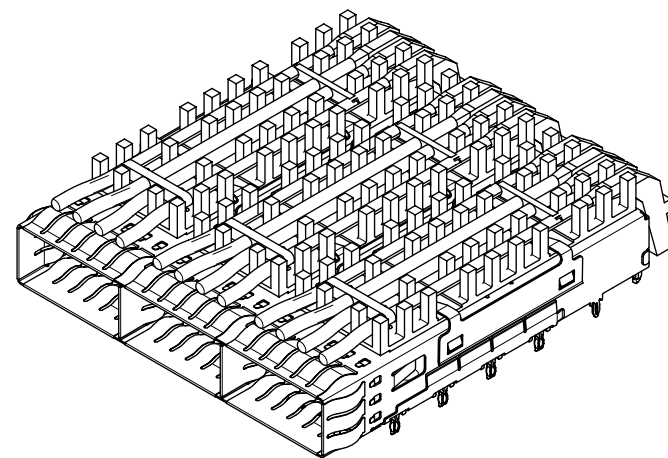


MOLEX P/N	HEATSINKS	#OF REAR LEGS PER PORT
1000163340	PCI	0
1000163345	NET	1

WITH HEATSINKS AND LIGHT PIPES

MOLEX P/N	LIGHTPIPES	HEATSINKS	#OF REAR LEGS PER PORT	DIM "B"
1000163547	QUAD	SAN	1	61.07 REF

QUAD LIGHT PIPE



<b>FUNCTIONAL SYMBOLS</b> $\nabla_A = 0$ $\nabla_C = 0$ $\nabla_P = 0$	THIS DRAWING CONTAINS INFORMATION THAT IS PROPRIETARY TO MOLEX ELECTRONIC TECHNOLOGIES, LLC AND SHOULD NOT BE USED WITHOUT WRITTEN PERMISSION		CURRENT REV DESC: SEE REV TABLE		<p>ZQSFP+ 1X3 GANGED CAGE ASSY'S W/ SUS TAB TYPE SPRING FINGER, H/S &amp; L/P OPTIONS</p> <p>PRODUCT CUSTOMER DRAWING</p>		
	DIMENSION UNITS	SCALE	EC NO: 698867				
	mm	1:1	DRWN: VISHNM2 2022/02/22				
	GENERAL TOLERANCES (UNLESS SPECIFIED)		CHK'D: TKUMARKC 2022/03/16				
ANGULAR TOL $\pm 2.0^\circ$		APPR: JCHIANG 2022/03/17		DOCUMENT NUMBER	DOC TYPE	DOC PART	REVISION
4 PLACES $\pm$		INITIAL REVISION:		1000163200	PSD	ASY	A
3 PLACES $\pm$		DRWN: VISHNM2 2022/02/22		MATERIAL NUMBER	CUSTOMER		SHEET NUMBER
2 PLACES $\pm 0.13$		APPR: JCHIANG 2022/03/17		SEE P/N TABLE	GENERAL MARKET		3 OF 7
1 PLACE $\pm 0.25$		THIRD ANGLE PROJECTION					
0 PLACES $\pm$		DRAWING					
DRAFT WHERE APPLICABLE MUST REMAIN WITHIN DIMENSIONS		C-SIZE					

# PCB LAYOUT FOR SINGLE SIDED MOUNTING

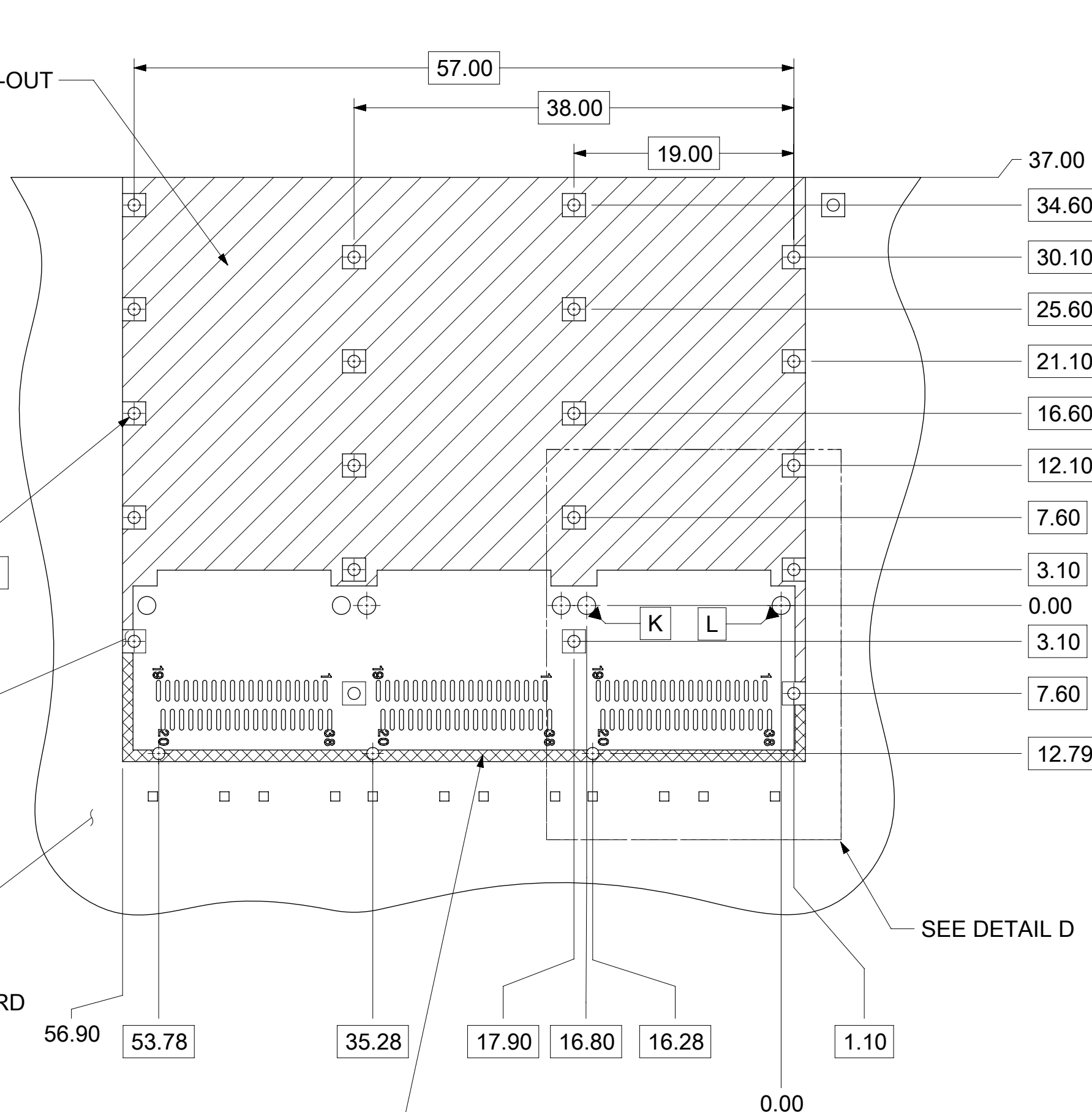
HATCHED AREA DENOTES COMPONENT AND TRACE KEEP-OUT (EXCEPT CHASSIS GROUND)

Ø1.05 ±0.05 TYP  
 ⊕ Ø0.10(M) A K L

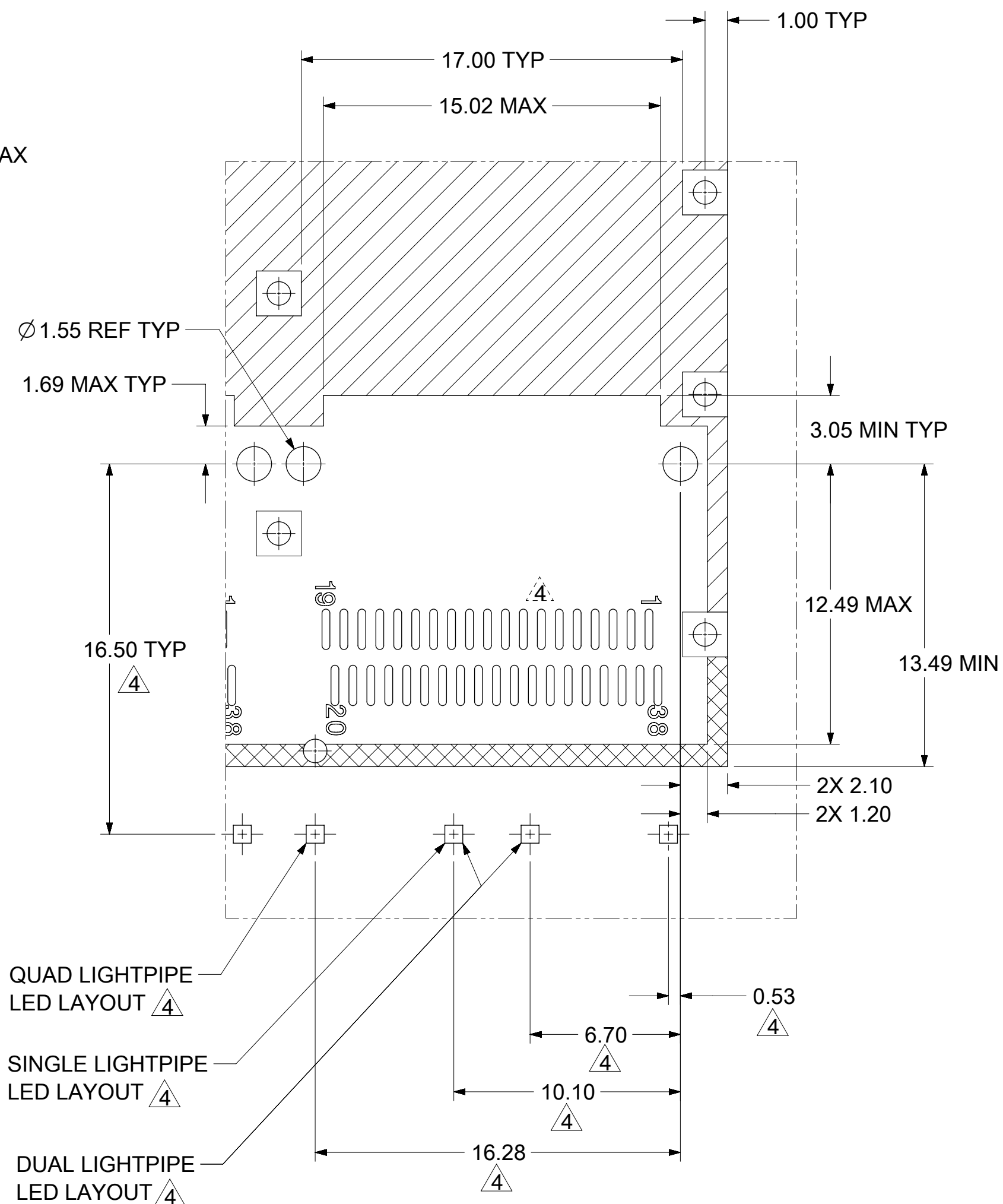
AREA DENOTES COMPONENT KEEP-OUT (TRACES ALLOWED)

DATUM -A- IS THE TOP SURFACE OF HOST BOARD

CROSS HATCHED AREA DENOTES WHERE SURFACE TRACES ARE PERMITTED



SEE DETAIL D



DETAIL D  
SCALE 5:1

QUAD LIGHTPIPE LED LAYOUT

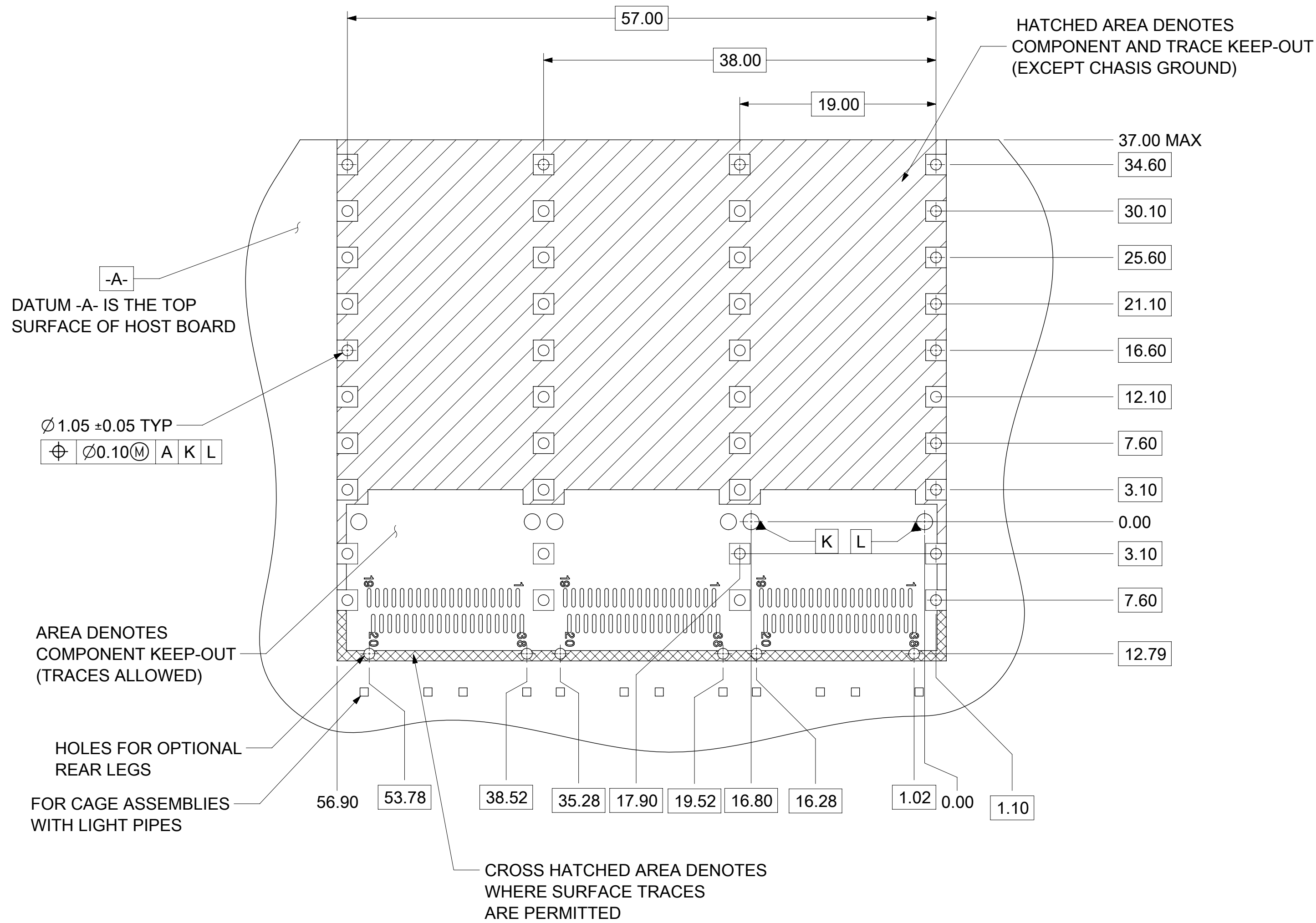
SINGLE LIGHTPIPE LED LAYOUT

DUAL LIGHTPIPE LED LAYOUT

- NOTES:
- PADS AND VIAS GO TO CHASSIS GROUND. (RECOMMENDED PADS TO BE 2.00mm SQUARE.)
  - RECOMMENDED THRU HOLE PLATING INCLUDES HASL, OSP, OR IMMERSION (GOLD, SILVER, OR TIN).
  - CONNECTOR PAD LAYOUT PER SFF-8663 WILL ACCOMODATE MOLEX CONNECTOR SERIES 170432.
- ⚠ NOTED DIMENSIONS ONLY APPLY TO CAGE ASSEMBLIES WITH LIGHT PIPES.

FUNCTIONAL SYMBOLS	THIS DRAWING CONTAINS INFORMATION THAT IS PROPRIETARY TO MOLEX ELECTRONIC TECHNOLOGIES, LLC AND SHOULD NOT BE USED WITHOUT WRITTEN PERMISSION		CURRENT REV DESC: SEE REV TABLE		
	DIMENSION UNITS	SCALE			
FA = 0	mm	3.5:1			ZQSFP+ 1X3 GANGED CAGE ASSY'S W/ SUS TAB TYPE SPRING FINGER, H/S & L/P OPTIONS
EC = 0	GENERAL TOLERANCES (UNLESS SPECIFIED)				
EP = 0	ANGULAR TOL ± 2.0°				PRODUCT CUSTOMER DRAWING
DIVISIONAL SYMBOLS	4 PLACES	±	EC NO: 698867	2022/02/22	
	3 PLACES	±	DRWN: VISHNM2	2022/03/16	
	2 PLACES	± 0.13	CHK'D: TKUMARKC	2022/03/17	
	1 PLACE	± 0.25	APPR: JCHIANG		
0 PLACES	±	INITIAL REVISION:			
DRAFT WHERE APPLICABLE MUST REMAIN WITHIN DIMENSIONS		THIRD ANGLE PROJECTION	DRAWING	SERIES	DOCUMENT NUMBER
			C-SIZE	100016	1000163200
					DOC TYPE
					PSD
					DOC PART
					ASY
					REVISION
					A
					MATERIAL NUMBER
					GENERAL MARKET
					CUSTOMER
					SHEET NUMBER
					4 OF 7

# PCB LAYOUT FOR BELLY TO BELLY MOUNTING



- NOTES:
1. PADS AND VIAS GO TO CHASSIS GROUND. (RECOMMENDED PADS TO BE 2.00mm SQUARE.)
  2. RECOMMENDED THRU HOLE PLATING INCLUDES HASL, OSP, OR IMMERSION (GOLD, SILVER, OR TIN).
  3. CONNECTOR PAD LAYOUT PER SFF-8663 WILL ACCOMODATE MOLEX CONNECTOR SERRIES 170432.

FUNCTIONAL SYMBOLS	THIS DRAWING CONTAINS INFORMATION THAT IS PROPRIETARY TO MOLEX ELECTRONIC TECHNOLOGIES, LLC AND SHOULD NOT BE USED WITHOUT WRITTEN PERMISSION		CURRENT REV DESC: SEE REV TABLE	
	DIMENSION UNITS	SCALE		
$\frac{F}{A} = 0$	mm	3:1		
$\frac{F}{C} = 0$	GENERAL TOLERANCES (UNLESS SPECIFIED)		EC NO: 698867	
	ANGULAR TOL ± 2.0°		DRWN: VISHNM2	2022/02/22
$\frac{F}{P} = 0$	4 PLACES ±		CHK'D: TKUMARKC	2022/03/16
	3 PLACES ±		APPR: JCHIANG	2022/03/17
DIVISIONAL SYMBOLS	2 PLACES ± 0.13		INITIAL REVISION:	
	1 PLACE ± 0.25		DRWN: VISHNM2	2022/02/22
	0 PLACES ±		APPR: JCHIANG	2022/03/17
DRAFT WHERE APPLICABLE MUST REMAIN WITHIN DIMENSIONS	THIRD ANGLE PROJECTION	DRAWING	SERIES	MATERIAL NUMBER
		C-SIZE	100016	SEE P/N TABLE
		CUSTOMER	SHEET NUMBER	
		GENERAL MARKET	5 OF 7	

**molex**

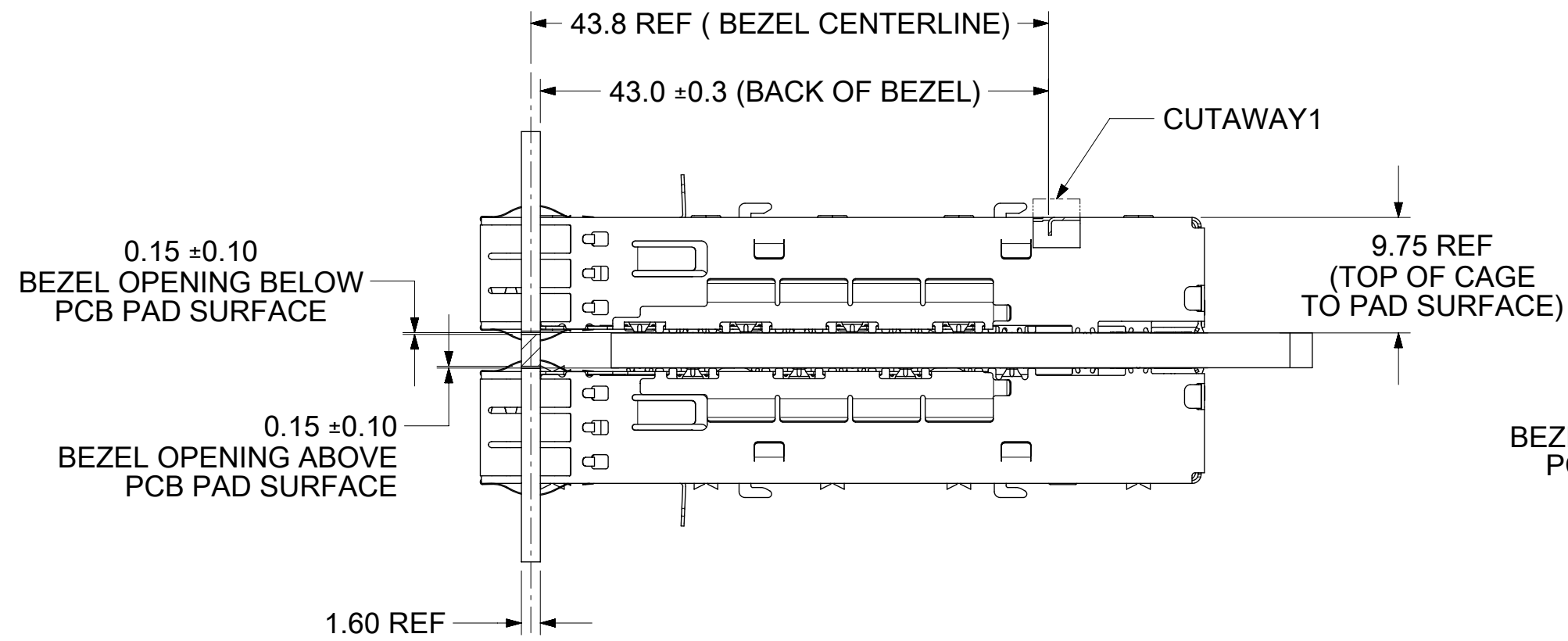
ZQSFP+ 1X3 GANGED CAGE ASSY'S  
W/ SUS TAB TYPE SPRING FINGER, H/S & L/P  
OPTIONS

PRODUCT CUSTOMER DRAWING

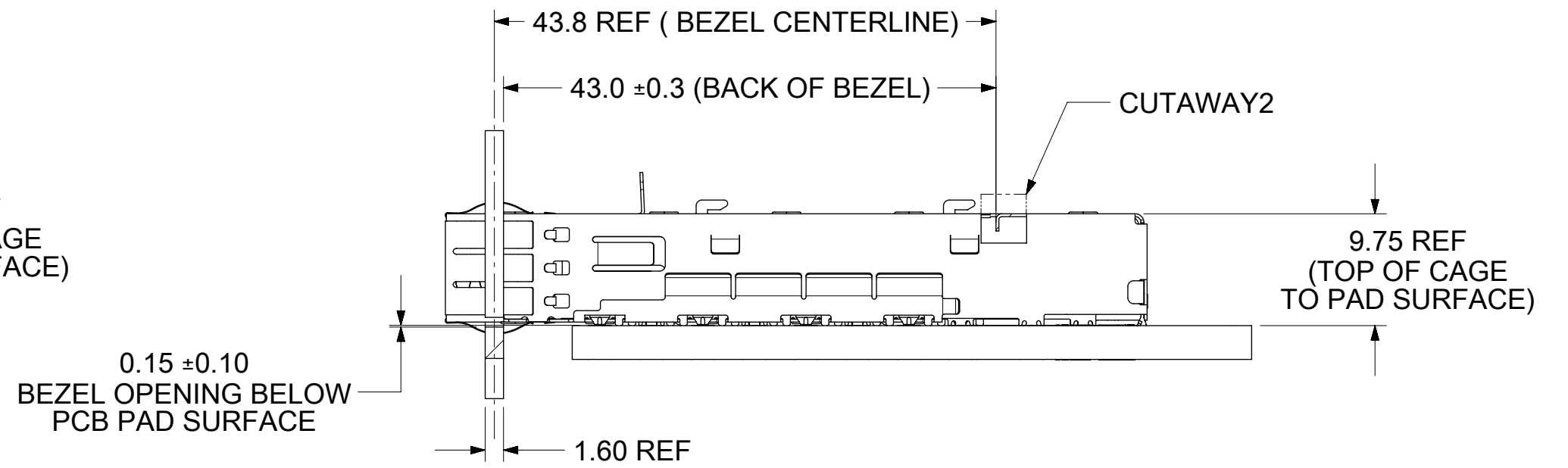
DOCUMENT NUMBER  
**1000163200**

DOC TYPE DOC PART REVISION  
PSD ASY A

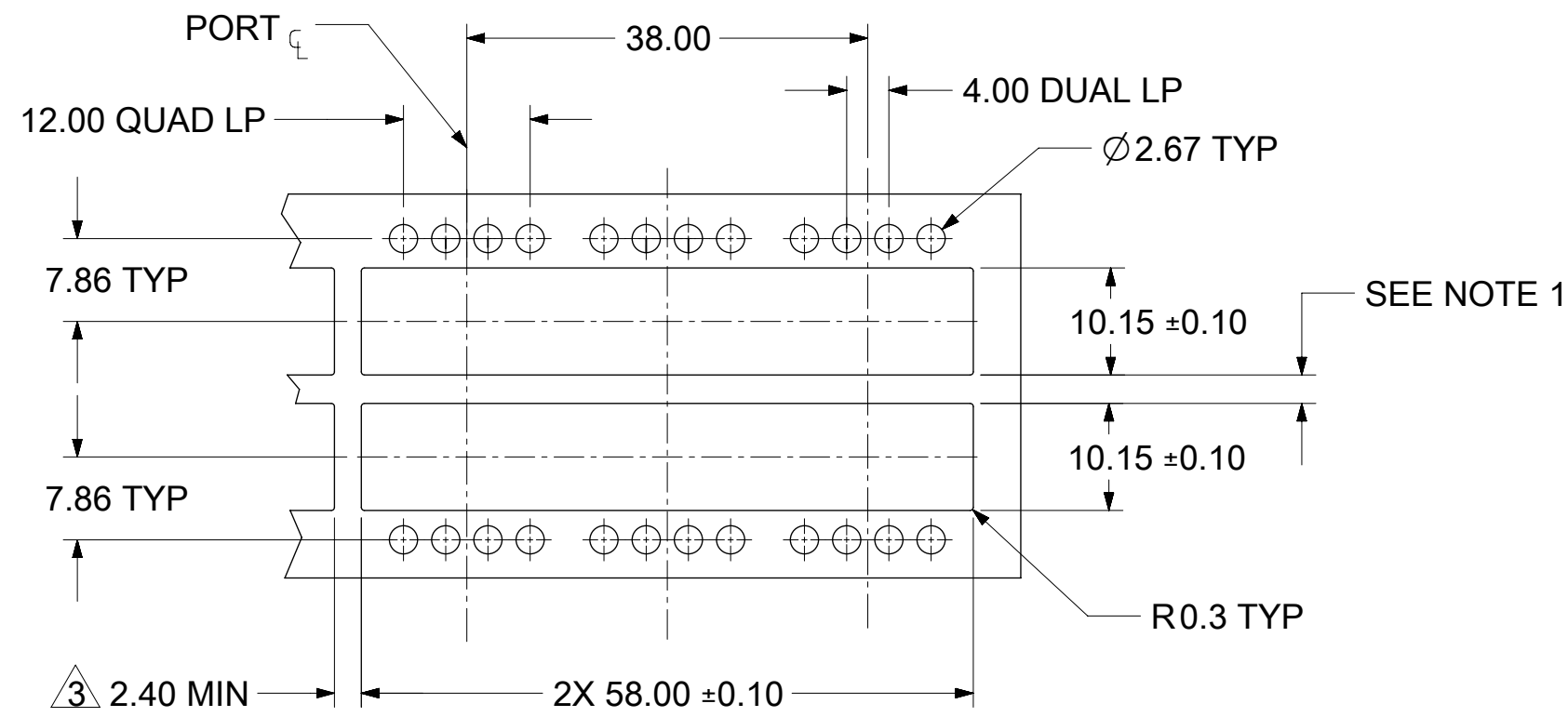
# BEZEL AND BOARD POSITION DIMENSIONS FOR BELLY TO BELLY MOUNTING



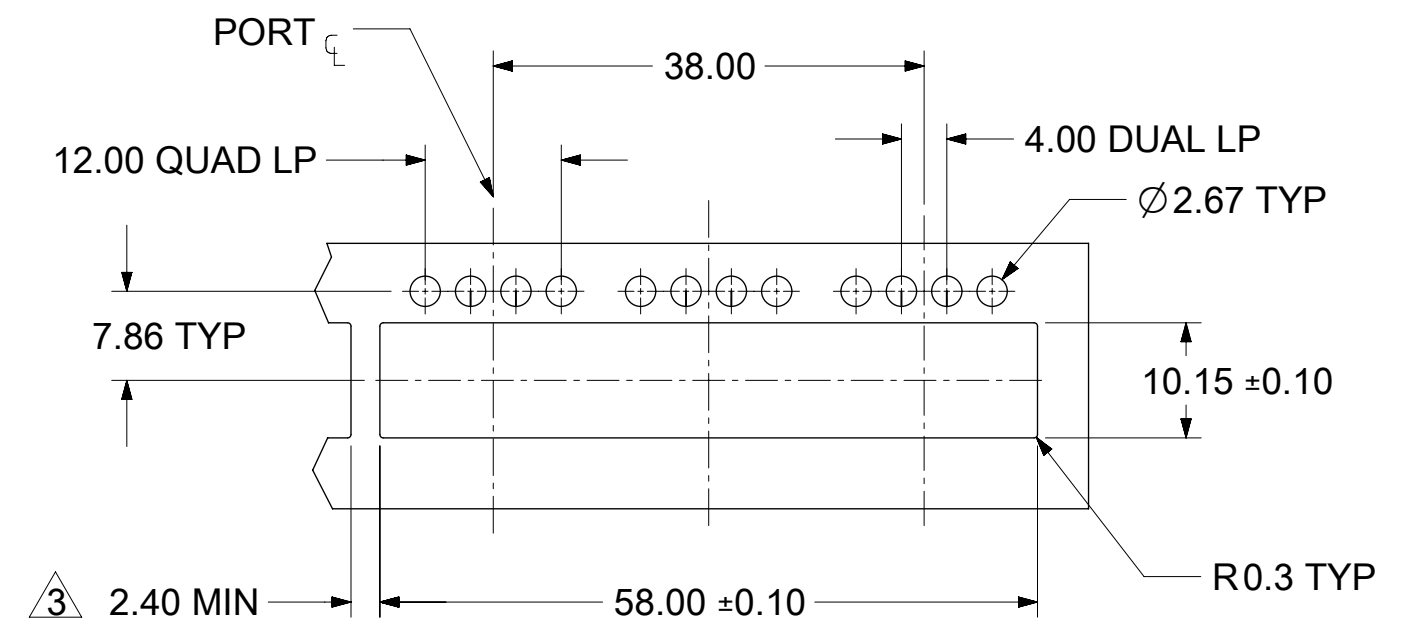
# BEZEL AND BOARD POSITION DIMENSIONS FOR SINGLE SIDE MOUNTING



## DUAL/QUAD LIGHT PIPE <sup>2</sup>



## DUAL LIGHT PIPE <sup>2</sup>




**NOTE:**  
 1. PCB THICKNESS VARIATION MUST BE CONSIDERED WHEN DETERMINING BEZEL OPENING LOCATION.  
<sup>2</sup> NOTED DIMENSIONS ONLY APPLY TO CAGE ASSEMBLIES WITH LIGHT PIPES.  
<sup>3</sup> THIS DIMENSION IS FOR REFERENCE ONLY. USER CAN MODIFY IT DEPENDS ON APPLICATION. (THIS DIMENSION VARIES BASED ON DISTANCE OF " HOLE OF ADIACENT CAGE" ON PCB LAYOUT.)

FUNCTIONAL SYMBOLS	THIS DRAWING CONTAINS INFORMATION THAT IS PROPRIETARY TO MOLEX ELECTRONIC TECHNOLOGIES, LLC AND SHOULD NOT BE USED WITHOUT WRITTEN PERMISSION		CURRENT REV DESC: SEE REV TABLE				
	DIMENSION UNITS	SCALE					
$\frac{E}{A} = 0$	mm	2:1			ZQSFP+ 1X3 GANGED CAGE ASSY'S W/ SUS TAB TYPE SPRING FINGER, H/S & L/P OPTIONS		
$\frac{E}{C} = 0$	GENERAL TOLERANCES (UNLESS SPECIFIED)						
$\frac{E}{P} = 0$	ANGULAR TOL ± 2.0°				PRODUCT CUSTOMER DRAWING		
DIVISIONAL SYMBOLS	4 PLACES	±	EC NO: 698867				
	3 PLACES	±	DRWN: VISHNM2 2022/02/22		DOCUMENT NUMBER: 1000163200 DOC TYPE: PSD DOC PART: ASY REVISION: A		
	2 PLACES	± 0.13	CHK'D: TKUMARKC 2022/03/16				
	1 PLACE	± 0.25	APPR: JCHIANG 2022/03/17		MATERIAL NUMBER: SEE P/N TABLE CUSTOMER: GENERAL MARKET SHEET NUMBER: 6 OF 7		
	0 PLACES	±	INITIAL REVISION: DRWN: VISHNM2 2022/02/22 APPR: JCHIANG 2022/03/17				
DRAFT WHERE APPLICABLE MUST REMAIN WITHIN DIMENSIONS		THIRD ANGLE PROJECTION	DRAWING	SERIES			
			C-SIZE	100016			

DOCUMENT STATUS	P1	RELEASE DATE	2022/03/17 10:10:57
-----------------	----	--------------	---------------------

REV	DATE	DESCRIPTION
A	2022/02/22	RELEASE

FUNCTIONAL SYMBOLS	THIS DRAWING CONTAINS INFORMATION THAT IS PROPRIETARY TO MOLEX ELECTRONIC TECHNOLOGIES, LLC AND SHOULD NOT BE USED WITHOUT WRITTEN PERMISSION										
	DIMENSION UNITS	SCALE	CURRENT REV DESC: SEE REV TABLE								
$\frac{F}{A} = 0$	mm	1:1	EC NO: 698867 DRWN: VISHNM2 2022/02/22 CHK'D: TKUMARKC 2022/03/16 APPR: JCHIANG 2022/03/17								
$\frac{F}{C} = 0$	GENERAL TOLERANCES (UNLESS SPECIFIED)										
$\frac{F}{P} = 0$	ANGULAR TOL ± 2.0°		INITIAL REVISION: DRWN: VISHNM2 2022/02/22 APPR: JCHIANG 2022/03/17							PRODUCT CUSTOMER DRAWING	
DIVISIONAL SYMBOLS	4 PLACES ±									DOCUMENT NUMBER	
	3 PLACES ±		1000163200		PSD	ASY	A				
	2 PLACES ± 0.13		MATERIAL NUMBER		CUSTOMER		SHEET NUMBER				
	1 PLACE ± 0.25		SEE P/N TABLE		GENERAL MARKET		7 OF 7				
	0 PLACES ±		DRAFT WHERE APPLICABLE MUST REMAIN WITHIN DIMENSIONS		THIRD ANGLE PROJECTION		DRAWING				
			C-SIZE		SERIES		100016				