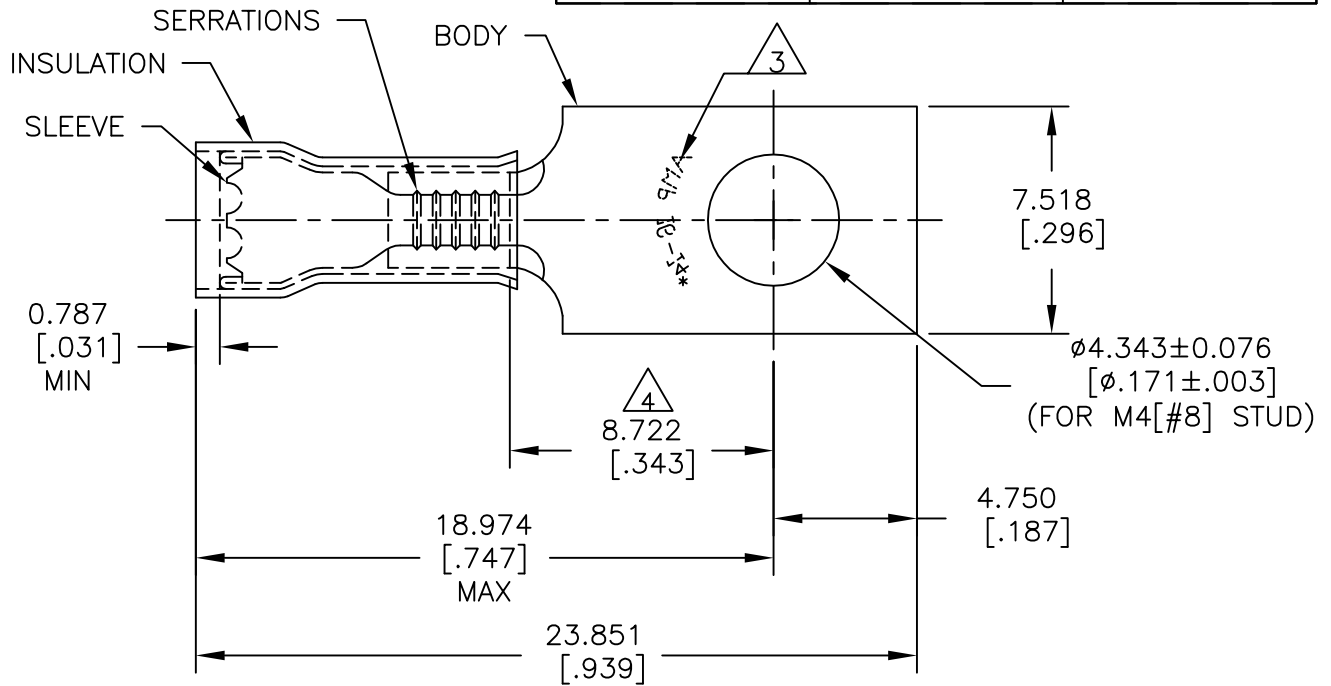


REVISIONS					
P	LTR	DESCRIPTION	DATE	DWN	APVD
	E1	REDRAWN PER ECO-17-007400	13DEC2017	RS	DR

AMP WIRE RANGE	Listed FILE E13288	LR7189 Certified
16-14 AWG SOLID OR STRANDED	16-14 AWG SOLID OR STRANDED	16-14 AWG SOLID OR STRANDED



- 1 BODY MATERIAL THK 0.787 ± 0.051 [.031 ± .002]
- 2 FOR $\phi 2.921$ [$\phi .115$] TO $\phi 4.318$ [$\phi .170$] WIRE INSULATION.

STAMP AMP 16-14* APPROX AS SHOWN.

APPLIES FROM EDGE OF METAL WIRE BARREL TO CENTER OF STUD HOLE

MATERIAL:
BODY & SLEEVE: COPPER PER ASTM B-152
INSULATION: NYLON

FINISH:
BODY & SLEEVE: TIN PLATE PER ASTM B 545
INSULATION: COLOR-BLUE.

1000	LOOSE PIECE	321283
QTY.	PACKAGE TYPE	PART NUMBER

RELEASED FOR PUBLICATION

ALL RIGHTS RESERVED.

THIS DRAWING IS UNPUBLISHED.

COPYRIGHT - TE Connectivity

DIMENSIONS: mm [INCHES]	DWN RAVI S	13DEC2017	MATERIAL		FINISH	
	CHK ROHDE DANIEL F	13DEC2017	TE Connectivity			
TOLERANCES UNLESS OTHERWISE SPECIFIED:	APVD ROHDE DANIEL F	13DEC2017				
0 PLC ± -	PRODUCT SPEC		NAME			
1 PLC ± -	UL 486 A-B		WIRE TERMINAL, P.I.D.G,			
2 PLC ± -	APPLICATION SPEC		RECTANGULAR TONGUE, WIRE SIZE: 16-14 AWG			
3 PLC ± 0.127 [.005]	114-2157		SIZE	CAGE CODE	DRAWING NO	RESTRICTED TO
4 PLC ± -	WEIGHT -		A4	00779	321283	-
ANGLES ± -	CUSTOMER DRAWING		SCALE	1:1	SHEET	1 OF 1
						REV E1