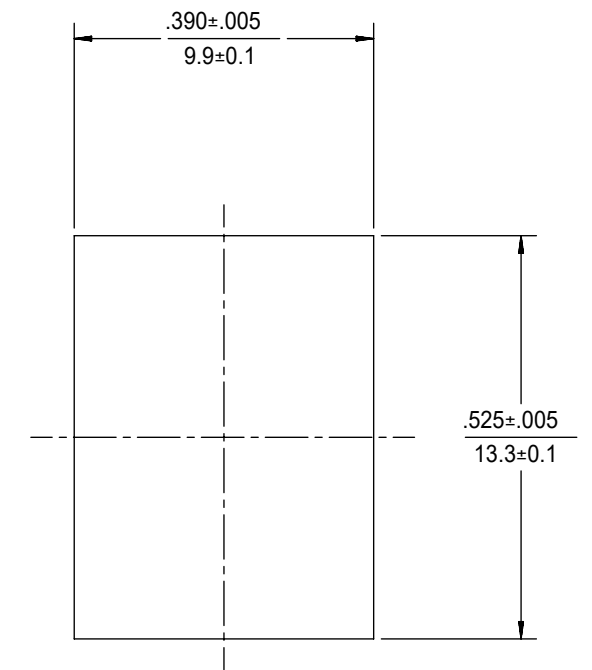
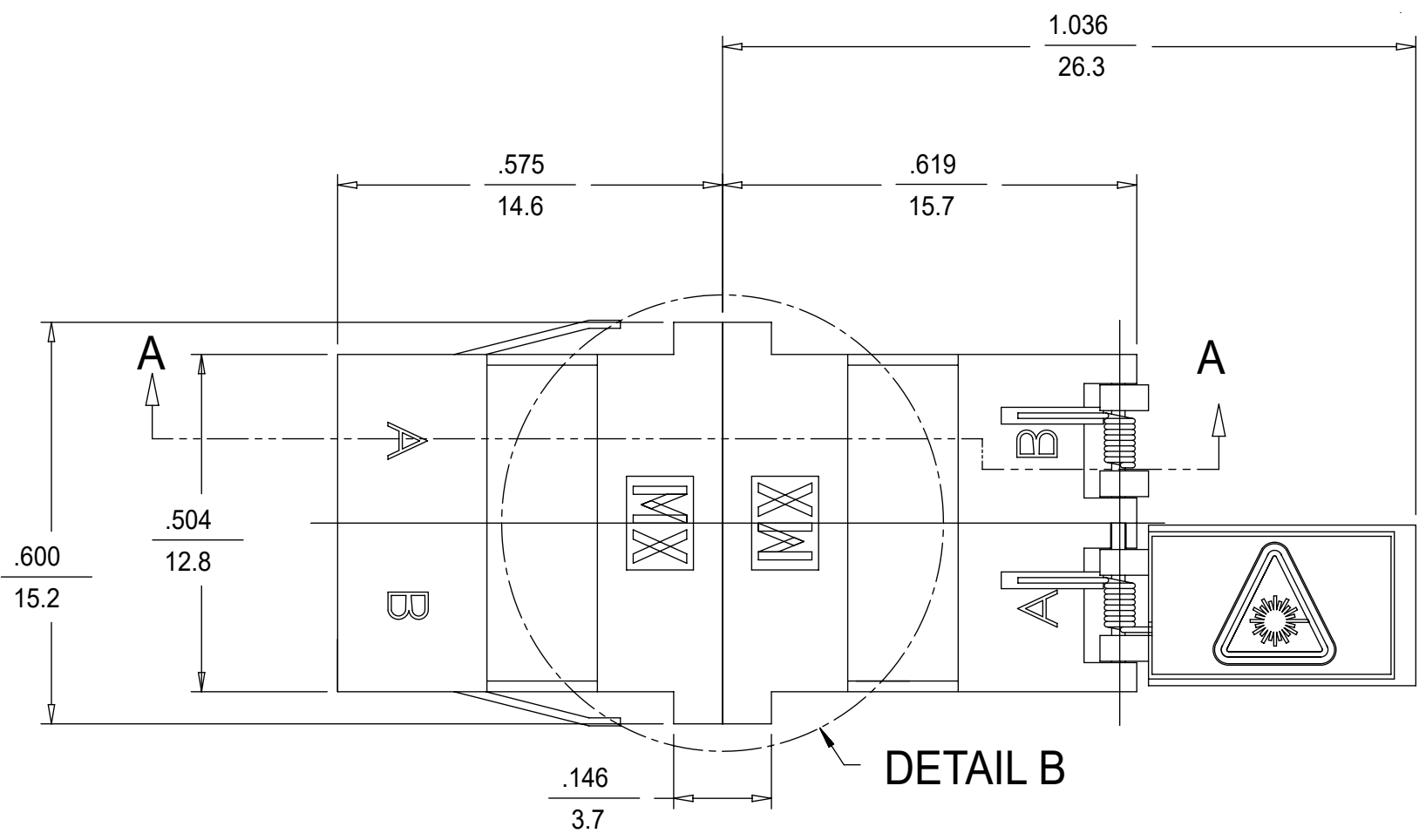
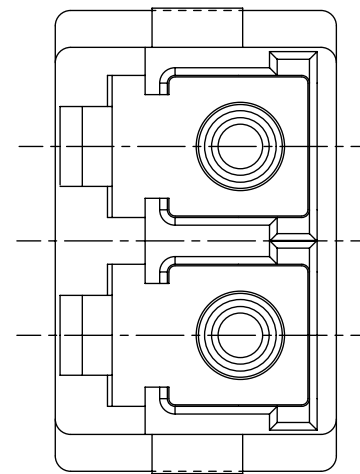
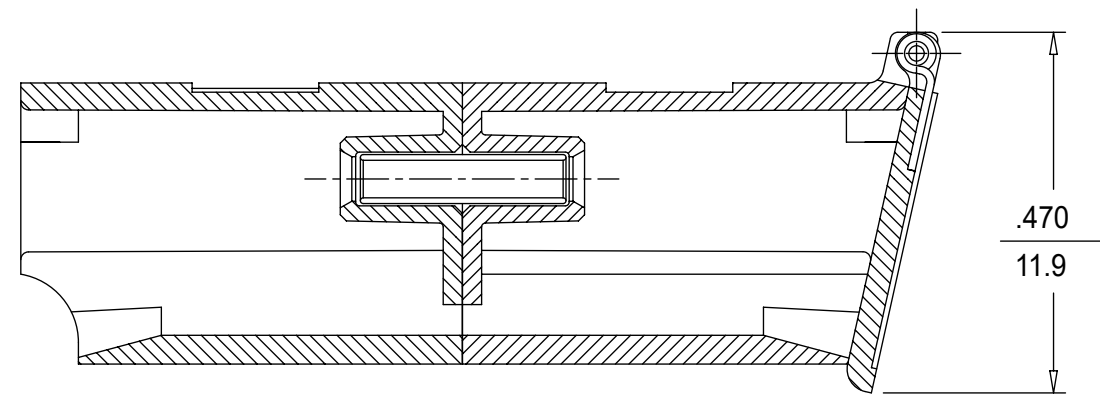


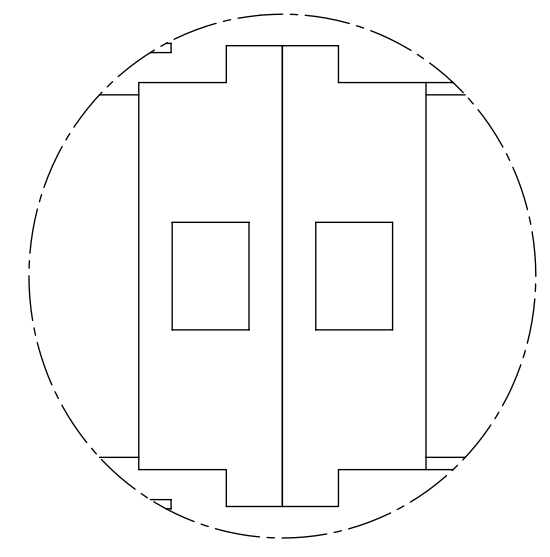
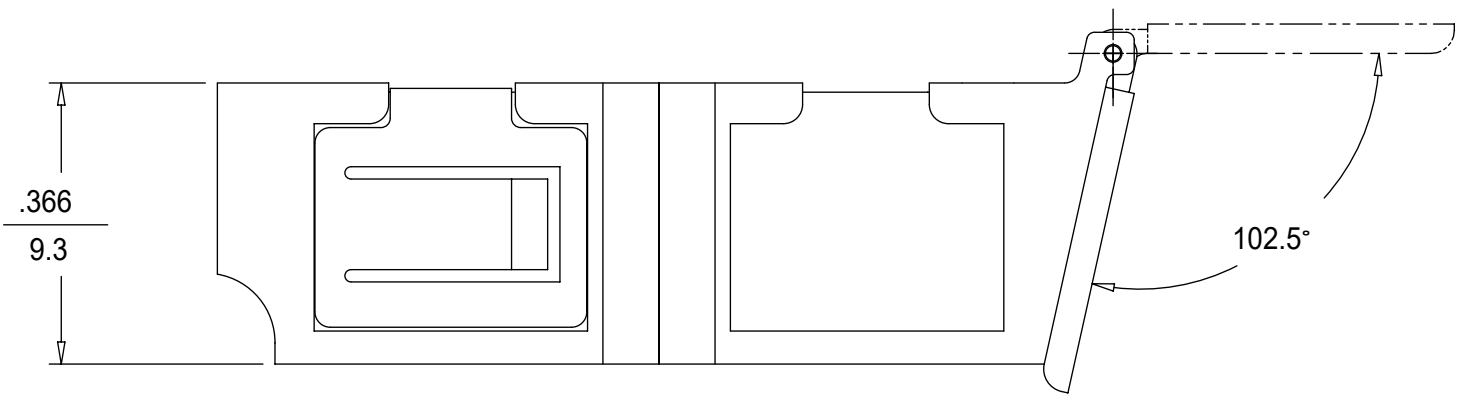
LC ADAPTER P/N	COLOR	SPLIT SLEEVE MATERIAL	LOGO		
106127-1400	BLUE	ZR	MX		
106127-1430*					
106127-1420 (SEE NOTE 2)					
106127-0410	BEIGE				
106127-1450	GREEN				
106127-1480 (SEE NOTE 2)					
106127-1600	BLUE/METAL DOOR			NONE	NONE
106127-0610	BEIGE/METAL DOOR				
106127-1650	GREEN/METAL DOOR				
106127-1410	BLACK			NONE	NONE
106127-9410*	AQUA				
106127-9010**	GREEN				
106198-2400	BLUE				
106127-9020**	BEIGE				
106198-2410	AQUA/METAL DOOR	MX			
106127-9000**		NONE			
106127-1610	AQUA	MX			
106127-9030	AQUA	NONE			



RECOMMENDED MOUNTING CUTOUT FOR .063 MAX. THICK PANEL



SECTION A-A



DETAIL B (NO LOGO VERSION)

NOTES:

- DUST CAPS ARE NOT SHOWN, BUT INCLUDED.
- FOR P/NS 106127-1420 AND 106127-1480 LASER WARNING LABEL IS SUPPLIED UNATTACHED AND SHALL BE INSTALLED BY CUSTOMER.
- P/NS 106127-9410, 106127-1950 AND 106127-1430 ARE BULK PACKED IN QUANTITIES OF 100pcs.
- P/NS 106127-9000, 106127-9010 AND 106127-9020 ARE FIRST INDIVIDUALLY PACKED IN CLEAR NON-MARKED BAGS AND THEN BULK PACKED IN QUANTITIES OF 100pcs.

FUNCTIONAL SYMBOLS $\nabla_A = 0$ $\nabla_C = 0$ $\nabla_P = 0$	THIS DRAWING CONTAINS INFORMATION THAT IS PROPRIETARY TO MOLEX ELECTRONIC TECHNOLOGIES, LLC AND SHOULD NOT BE USED WITHOUT WRITTEN PERMISSION		CURRENT REV DESC:		
	DIMENSION UNITS	SCALE	EC NO: 652962		
	INCH/MM	1:1	DRWN: SKRISHNAMU01 2021/05/31		
	GENERAL TOLERANCES (UNLESS SPECIFIED)		CHK'D: WCHEN 2021/08/24		
ANGULAR TOL ± 0.5°		APPR: WCHEN 2021/08/24		PRODUCT CUSTOMER DRAWING	
DIVISIONAL SYMBOLS		INITIAL REVISION:		DOCUMENT NUMBER	
4 PLACES ±		DRWN: PGIBLIN 2005/10/25		SD-106127-YYY0	
3 PLACES ±		APPR: IGUMIN 2005/10/26		DOC TYPE DOC PART REVISION	
2 PLACES ±		THIRD ANGLE PROJECTION		PSD 001 E	
1 PLACE ±		DRAWING		MATERIAL NUMBER CUSTOMER SHEET NUMBER	
0 PLACES ±		C-SIZE 106127		SEE TABLE GENERAL MARKET 1 OF 1	