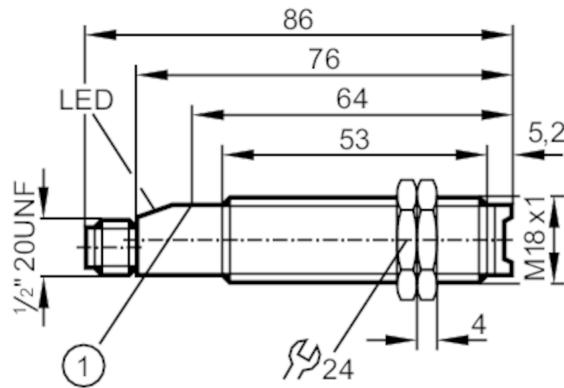




Through-beam sensor transmitter

OGS-000A/LS-100-AK



1 pushbutton without function



Product characteristics

Type of light	infrared light
Housing	threaded type

Application

Function principle	Through-beam sensor
--------------------	---------------------

Electrical data

Frequency AC	[Hz]	47...63
Operating voltage	[V]	20...250 AC/DC
Current consumption	[mA]	< 5
Protection class		II
Type of light		infrared light
Wave length	[nm]	880

Outputs

Short-circuit protection	no
Overload protection	no

Detection zone

Transmitter / receiver	transmitter	
Range	[m]	< 15
Range adjustable	no	
Max. light spot diameter	[mm]	2000
Light spot dimensions refer to	at maximum range	

Operating conditions

Ambient temperature	[°C]	-25...80
Protection		IP 67

Tests / approvals

EMC	EN 60947-5-2	
MTTF	[years]	1662



Through-beam sensor transmitter

OGS-000A/LS-100-AK

Mechanical data		
Weight	[g]	38
Housing		threaded type
Dimensions	[mm]	M18 x 1 / L = 76
Thread designation		M18 x 1
Materials		PBT
Lens material		PMMA
Displays / operating elements		
Display	operation	1 x LED, green
Accessories		
Items supplied		lock nuts: 2 x
Remarks		
Pack quantity		1 pcs.

Electrical connection

Connector: 1 x 1/2"; coding: C



Connection

