

Han 16HPR EasyCon Frame-F 2x650A

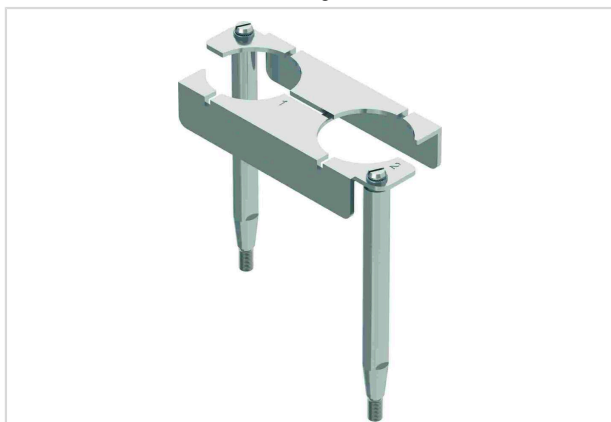


Image is for illustration purposes only. Please refer to product description.

Part number	09 40 016 9926
Specification	Han 16HPR EasyCon Frame-F 2x650A
HARTING eCatalogue	https://b2b.harting.com/09400169926

Identification

Category	Accessories
Series of hoods/housings	Han [®] HPR EasyCon
Type of accessory	Frame
Description of the accessory	for female inserts 2x Han [®] HC Modular 650

Version

Size	16 B
Pack contents	2x distance bolt (A/F 7) 2x M4 screw 2x washer SK S4 2x M4 countersunk screw

Technical characteristics

Tightening torque	6 Nm Distance bolt 1.5 Nm Fixing screws M4
-------------------	---

Material properties

Material (accessories)	Metal
RoHS	compliant
ELV status	compliant
China RoHS	e
REACH Annex XVII substances	Not contained
REACH ANNEX XIV substances	Not contained
REACH SVHC substances	Not contained



Pushing Performance
Since 1945

Material properties

California Proposition 65 substances Yes

California Proposition 65 substances Nickel

Commercial data

Packaging size 1

Net weight 123 g

Country of origin China

European customs tariff number 85389099

GTIN 5713140194182

eCl@ss 27440210 Fixing element for industrial connectors