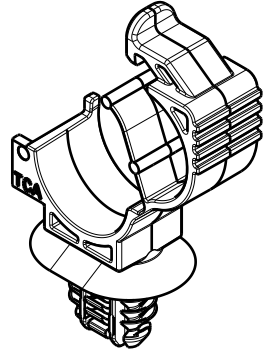
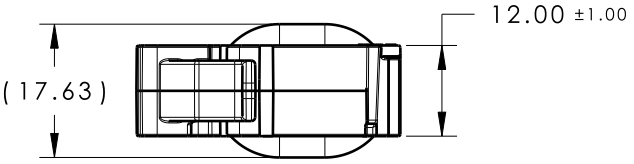


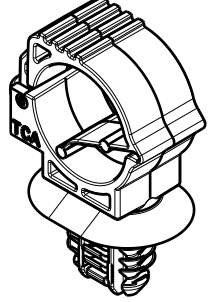


Revision Level			Revision Record	Changed	Date	Approved	Date
Drawing	State	Part					
03.2	Design Release	-	SEE ECN# 014900	KVH	01/31/19	NHK	02/01/19

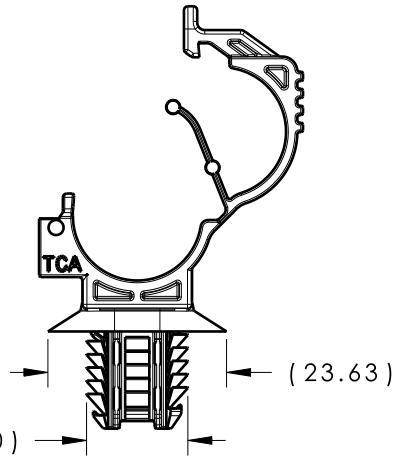
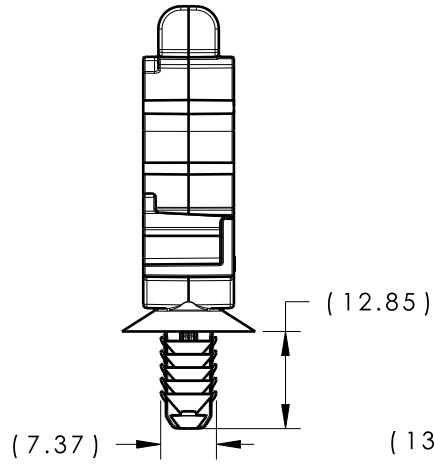
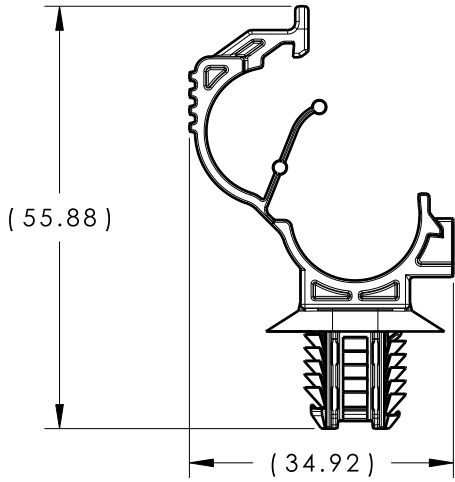
- REFERENCE:  
 PERFORMANCE REQUIREMENTS AT DRY AS MOLDED:  
 1. FIR TREE PUSH IN FORCE: 45 NEWTONS (10 LBS) MAX  
 IN EACH APPLICABLE NOMINAL OVAL HOLE SIZE AND A  
 PLATE THICKNESS OF 1.8mm.  
 2. FIR TREE PULL OUT FORCE: 110 NEWTONS (25 LBS) MIN  
 IN EACH APPLICABLE NOMINAL OVAL HOLE SIZE AND A  
 PLATE THICKNESS OF 1.8mm.  
 3. SHEET METAL THICKNESS RANGE: 0.60mm - 6.75mm  
 4. APPLICABLE OVAL HOLE SIZES:  
 A. 6.2 X 12.2mm +/-0.2  
 B. 6.5 X 12.5mm +0.2/-0.4  
 C. 6.5 X 13.0mm +/-0.2  
 D. 7.0 X 12.0mm +/-0.2  
 5. MAXIMUM PERCENT REGRIND PERMISSIBLE: 25%  
 6. MAX ALLOWABLE FLASH TO BE: 0.5mm  
 7. MAX ALLOWABLE MISMATCH TO BE: 0.1mm



ISOMETRIC VIEW  
OPEN POSITION



ISOMETRIC VIEW  
CLOSED POSITION



GLOBAL PART DESCRIPTION	MATERIAL	COLOR
LOC10-14FTOVAL-PA66HIRHSUV-BK	PA66HIRHSUV	BLACK
LOC10-14FTOVAL-PA46-GY	PA46	GRAY
LOC10-14FTOVAL-PPS-ML	PPS	SILVER

Material  
 SEE CHART  
 COLOR: SEE CHART

Units millimeters  
 Tolerance defined on each dimension

The copyright of this drawing is reserved by HellermannTyton. It is issued on condition that it is not reproduced, copied or disclosed to a third party, either wholly or in part, without the consent of HellermannTyton.

Drawn KVH 10/22/12  
 Approved SJA 10/23/12  
**HellermannTyton**  
 North America  
 Email: corp@htamericas.com  
 Web: www.hellermann.tyton.com

Article/Type-No LOC10-14FTOVAL  
 Title LOCKING OMEGA CLIP (10 TO 14mm BUNDLE) WITH OVAL FIR TREE  
 Drawing-No PRODUCTION : Phase  
**12-0651-001-CSU**

Scale 1:1  
 Project Number 12-0651  
 Format AH  
 Sheet 1/1