

THIS DRAWING IS UNPUBLISHED.

RELEASED FOR PUBLICATION

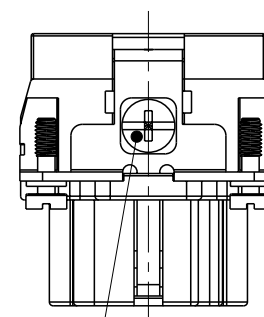
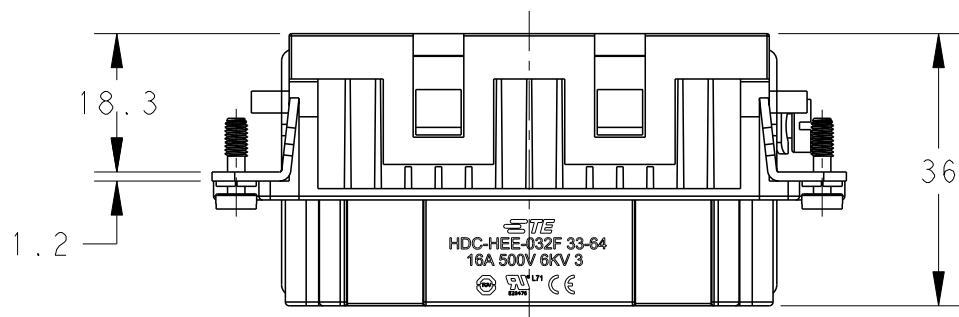
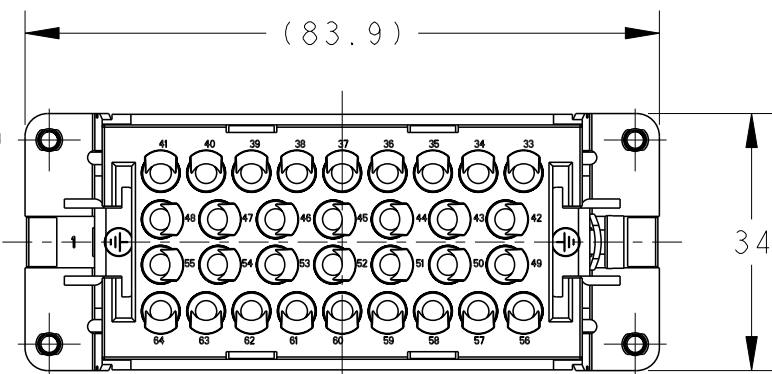
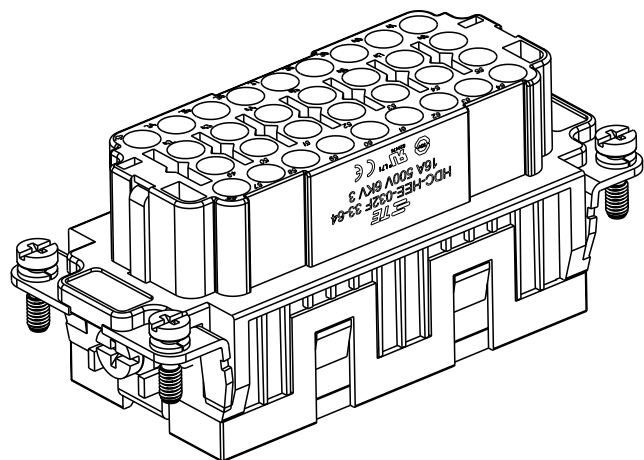
20

© COPYRIGHT 20 BY -

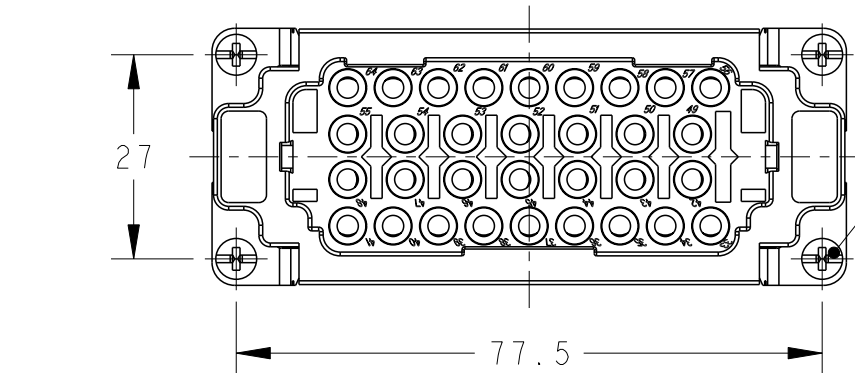
ALL RIGHTS RESERVED.

REVISIONS

P	LTR	DESCRIPTION	DATE	DWN	APVD
	A	INITIAL	03APR2015	DW	CW
	B	ECR-15-014907	14OCT2015	DL	CW
	C	ECR-21-108559	06AUG2021	BS	CW



M4 THREAD
RECOMMENDED
TIGHTENING TORQUE
1.2Nm



4X M3 THREAD, RECOMMENDED
TIGHTENING TORQUE 0.5Nm

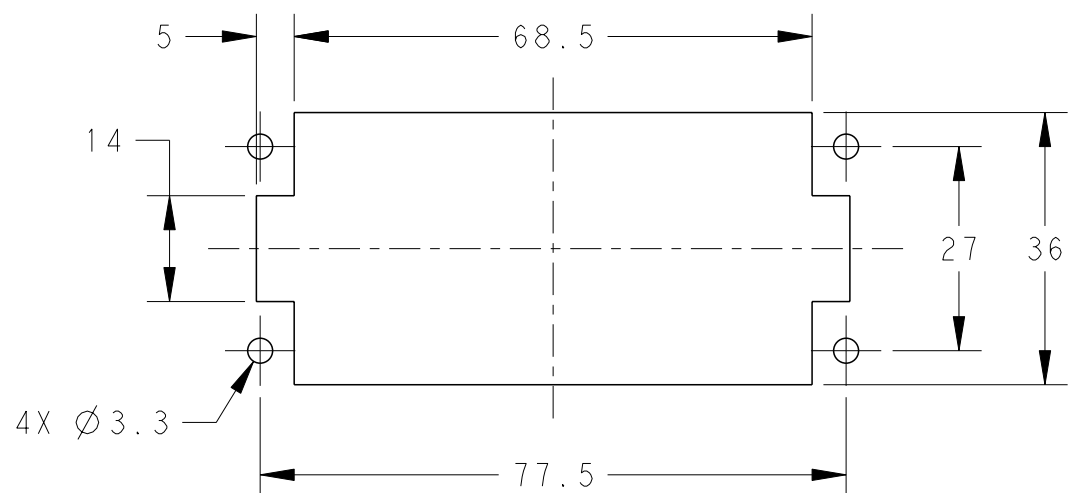
NOTES:

- TECHNICAL CHARACTERISTICS:
INSULATION MATERIAL: PC
RATED VOLTAGE: 500V
RATED CURRENT: 16A
INSULATION RESISTANCE: $\geq 400M\Omega$
RATED IMPULSE VOLTAGE: 6KV
POLLUTION DEGREE: 3
FLAMMABILITY: UL94V-0
MATING CYCLES: 500 CYCLES
WIRE RANGE: 0.14-4 mm² (26-12 AWG)
CONTACT TYPE: CRIMP CONTACT
- CONTACT NEED TO BE ORDERED SEPARATELY.
(ORDER No. REFER TO DRAWING:T20300X20XX000)

注释:

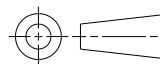
- 技术参数:
绝缘材料: PC
额定电压: 500V
额定电流: 16A
绝缘电阻: $\geq 400M\Omega$
额定脉冲电压: 6KV
污染等级: 3
阻燃等级: UL94V-0
插拔次数: 500次
接线范围: 0.14-4 mm² (26-12 AWG)
接线类型: 冷压接
- 端子需要单独订购。
(订货号参考图面: T20300X20XX000)

PANEL CUT FOR INSERTS FOR USE WITHOUT HOODS/ HOUSINGS



THIS DRAWING IS A CONTROLLED DOCUMENT.

DIMENSIONS: mm



TOLERANCES UNLESS OTHERWISE SPECIFIED:	
0 PLC	±-
1 PLC	±-
2 PLC	±-
3 PLC	±-
4 PLC	±-
ANGLES	±-
FINISH	-

MATERIAL

-

-

DWN 01APR2015

David Wang

CHK 01APR2015

Chris Wang

APVD 01APR2015

Xiang Xu

PRODUCT SPEC

108-106137

APPLICATION SPEC

114-106137

WEIGHT

DWN

01APR2015

CHK

01APR2015

APVD

01APR2015

NAME

HEE-032-F 33-64

PRODUCT SPEC

108-106137

APPLICATION SPEC

114-106137

WEIGHT

-

HEE-032-F 33-64	T2050642201-000
DESCRIPTION	PART NUMBER



TE Connectivity

NAME HEE-032-F 33-64

SIZE	CAGE CODE	DRAWING NO	RESTRICTED TO
------	-----------	------------	---------------

A300779 © T2050642201000 -

Customer Drawing SCALE 1:1 SHEET 1 OF 1 REV C

Printed on 10 Aug 2021 11:34 (China Standard Time) from TE236667