

Plug-Relay-Compact (PRC) socket base PRC with screw connection and residual current suppression for long cables, Mounting type: Mounting rail TS 35, 1 CO contact, Input voltage: 220 to 240 VAC

Business data

Article number	15491.2
Article name	PRC LW 220...240V AC
GTIN (EAN)	4044211118273
Packaging unit	10
Quantity unit	PC
Weight per piece (not including packaging)	30 g
Weight per piece (including packaging)	31.78 g
Unit of weight	G
Customs number	85369010
Country of origin	IT
Product description	Relay socket base with screw connection

Technical data

Dimensions

Length	87.3 mm
Width	6.2 mm
Height TS 35 / 7.5 with BA	79.9 mm

Ratings

Rated voltage Un	220-240 VAC -
Overvoltage category	III
Contamination degree	3

Connection data

Connection principle	Screw connection
Wire cross-section single core (rigid), min.	0.2 mm ²
Wire cross-section single-core (rigid), max.	2.5 mm ²
Wire cross-section stranded, min.	0.2 mm ²
Wire cross-section stranded, max.	2.5 mm ²
Stripping length	10 mm
Torque	0.5 Nm

Output data

Switching voltage / switching voltage max.	250 / 400 VAC
Contact configuration	1 CO contact

Materials

Working temperature, min.	-40 °C
Working temperature, max.	70 °C

Further technical data

Degree of protection	IP20
Status display	✓
AC residual current suppression	✓

Environmental Product Compliance

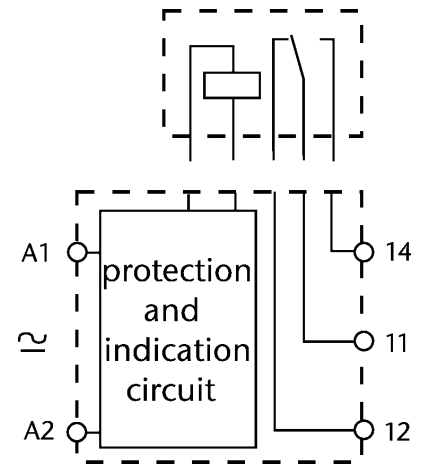
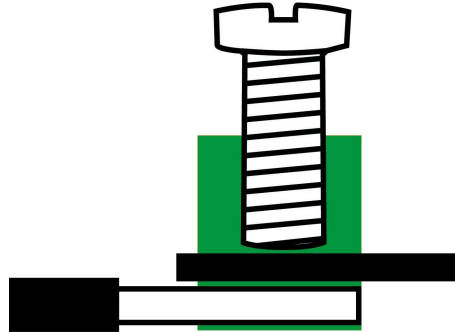
REACH Conform	yes
REACH Reference date	2023-01-17
REACH Candidate Substance Note	No
RoHS Conform	yes

Approvals

Standards and regulations

CE compliant	yes
cUL approval	CSA-C22.2 No. 14
UL approval	UL 508
UL Recognized	1
cUL Recognized	1

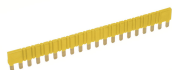
Media



Accessories

Cross-connector

External cross-connector insulated for Plug-Relay-Compact (PRC), 20-pole, can be shortened, Voltage: 250 V, Current: 36 A



Article number	Article name	GTIN (EAN)	Packaging unit
<u>15545.8</u>	AQI/PRC/20 YE	4044211118440	1

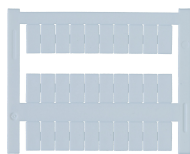
Quick marking

Terminal marker / Pocket Maxicard, Length: 12 mm, Width: 6 mm, Colour: White



Article number	Article name	GTIN (EAN)	Packaging unit
<u>9107.7</u>	PMC BSTR 6/30 So WH	4044211099749	300 ST

Terminal marker / Pocket Maxicard, Length: 12 mm, Width: 6 mm, Colour: White



Article number	Article name	GTIN (EAN)	Packaging unit
<u>9106.7</u>	PMC BSTR 6/30 WH	4044211099732	300 ST

Screwdriver

Screwdriver with bare blade, Colour: Black-grey



Article number	Article name	GTIN (EAN)	Packaging unit
<u>1086.0</u>	SDB 0,6x3,5	4044211014797	1 ST

Relays

Plug-in miniature power relay, With power contact, 1 CO contact, Input voltage: 60 VDC



Article number	Article name	GTIN (EAN)	Packaging unit
<u>15503.2</u>	PRC 1/60V DC	4044211118167	10 ST

15491.2 PRC LW 220...240V AC

Relays



Plug-in miniature power relay, With multi-layer gold contact, 1 CO contact, Input voltage: 60 VDC

Article number	Article name	GTIN (EAN)	Packaging unit
<u>15568.2</u>	PRC 1/60V DC Au	4044211118419	10 ST

Partition plate



Partition plate for Plug-Relay-Compact (PRC) for separating relay blocks, width: 1.5 mm

Article number	Article name	GTIN (EAN)	Packaging unit
<u>15546.2</u>	TW/PRC GR	4044211118457	1 ST