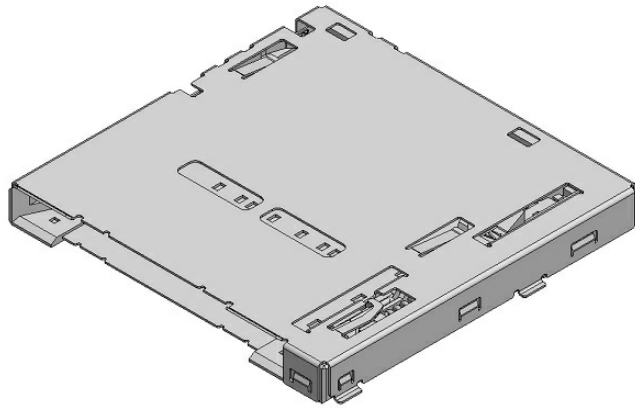


SG50S009VCBR500

Product Details



Features

UHS-I Compatible Rugged Full-Size SD Card Connector , 9 pos. , Push-push Type , Embossed Tape Packaging (500 pieces/reel)

Part Number	SG50S009VCBR500
Status	Active
Number of Positions	9 pos.
Rated Current	0.5 A
Rated Voltage	10 V
Connector Type	Rugged Full-Size SD Card Connector
Applicable SD Card	UHS-I
Eject Mechanism	Push-push Type
Card Detection Switch	TRUE
Write Protect Switch	TRUE
PWB Mounting Style	Soldering (SMT)
PCB Board Lock Feature	Hold-down
PCB Mounted Height	3.15 mm

Body Length	28.85 mm
Body Breadth	29.0 mm
Material of Signal Contact	Copper alloy
Finish of Signal Contact in Connecting Area	Gold plating over Nickel
Finish of Signal Contact in PCB Mounting Area	Gold plating over Nickel
Material of Housing	Synthetic resin
Material of Cover Frame	Stainless steel
Finish of Cover Frame (PCB Mounting Area)	Gold plating over Nickel
Contact Resistance (Initial)	Signal: 100 milliohm max., Detect Switch: 1 ohm max.
Dielectric Withstanding Voltage (1 minute)	AC 500 Vr.m.s.
Mating Cycles	10,000 times
Packaging Type	Embossed tape packaging
Quantity in The Standard Packaging	500 pieces/reel
RoHS compliant	10 substances (2011/65/EU, (EU)2015/863)
REACH compliant	224 substances (10/06/2022)
Remarks	

Notice

1. The values specified in this web site are only for reference. The products and their specifications are subject to change without notice. Contact our sales staff for further information before considering or ordering any of our products.

For purchase, a product specification must be agreed upon.

2. Users are requested to provide protection circuits and redundancy circuits to ensure safety of the equipment, and sufficiently review the suitability of JAE's products to the equipment.
3. The products presented in this web site are designed for the uses recommended below.

We strongly suggest you contact our sales staff when considering use of any of the products in any other way than the recommended applications or for a specific use that requires an extremely high reliability.

(1) Applications that require consultation:

*Please contact us if you are considering use involving a quality assurance program that you specify or that is peculiar to the industry, such as:

Automotive electrical components, train control, telecommunications devices (mainline), traffic light control, electric power, combustion control, fire prevention or security systems, disaster evention equipment, etc.

*We may separately give you our support with a quality assurance program that

you specify, when you think of a use such as :

Aviation or space equipment, submarine repeaters, nuclear power control systems, medical equipment for life support, etc.

(2) Recommended applications include:

*Computers, office appliances, telecommunications devices (terminals, mobile units), measuring equipment, audiovisual equipment, home electric appliances, factory automation equipment, etc