

# FPM-7002 Series

## Modular Industrial Monitors with 12" XGA / 15" XGA / 15" FHD / 17" SXGA / 18.5" HD / 21.5" FHD / 23.8" FHD



### Features

- Industrial-grade LED LCD with a lifespan of 50,000 hours
- Modular design enables flexible configuration of video interfaces (HDMI, DP) and long distance transmission (iLink)
- Display modules available in various sizes with projected capacitive or 5-wire resistive touch control
- Front-facing iKey for OSD buttons
- Capability of controlling 2 modular PCs simultaneously via FPM-M700 I/O modules
- Supports Picture-in-Picture technology
- IP66-rated front panel protects against water and dust
- Supports a signal transmission distance of up to 100 m with iLINK technology

### Introduction

The modular industrial monitors, constructed by the powerful combination of Display Modules, Monitor Boxes and I/O Modules, extend the functionality of classical industrial monitors. The flexible modularized design, equipped with the powerful FPM-M700 I/O modules, allows users to change the video interface according to their usage demands. Additionally, unlike traditional industrial touch monitors that can only support controllers in a one-to-one capacity, the FPM series monitors can support two controllers simultaneously. Moreover, with the inclusion of Picture-in-Picture (PiP) technology, users can easily change the display layout and switch between units that need operating.

The FPM-7002 model also supports Advantech's iLINK technology, a long-distance data transmission solution. This technology is designed to resolve issues of touch signal degradation. The optional Wi-Fi and NFC features also allow users to flexibly configure the monitor systems.

### Specifications

#### General

- OSD Controls** OSD control on front-facing iKey
- Certification** BSMI, CCC, CE, FCC Class A, UL
- Enclosure** Front panel: Die cast magnesium alloy  
Rear cover: SECC
- Mount Options** Panel, Wall, Desktop, VESA
- Power Input** Phoenix jack with: 24 V<sub>DC</sub> input
- Power Consumption** Typ. 25W; Max. 70W
- I/O Slots** 2 (to accommodate FPM-M700 I/O modules)
- I/O Feature** HDMI, DP (Video & Audio), iLink (Long Distance Transmission up to 100m)

#### Environment

- Humidity** 10 ~ 90% non-condensing
- Ingress Protection** Front panel IP66
- Vibration Protection** 5 ~ 500 Hz, 1 Grms (operating, random)
- Operating Temperature** 0 ~ 55 °C (32 ~ 131 °F)
- Storage Temperature** -20 ~ 60 °C (-4 ~ 140 °F)

\*FPM-M700 I/O Module is compulsory for 'I/O Feature'. Please refer to 'Configurable System' for selections.

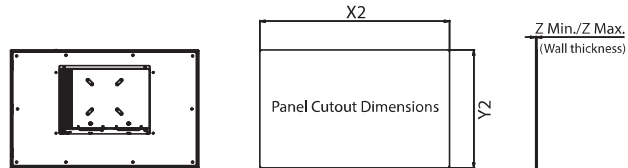
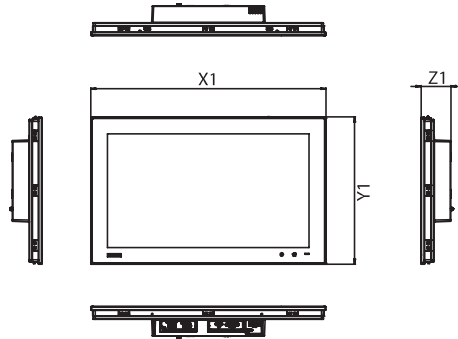
### Display Panel Modules

Part Number		FPM-D12T-BE	FPM-D15T-BE	FPM-D17T-BE	FPM-D15W-FBE	FPM-D18W-BE	FPM-D21W-BE	FPM-D24W-BE
LCD Panel	Display Size	12"	15"	17"	15.6"	18.5"	21.5"	23.8"
	Display Type	XGA TFT LED LCD	XGA TFT LED LCD	SXGA TFT LED LCD	FHD TFT LED LCD	HD TFT LED LCD	FHD TFT LED LCD	FHD TFT LED LCD
	Aspect Ratio	4:3		5:4	16:9			
	Max. Resolution	1024 x 768	1024 x 768	1280 x 1024	1920 x 1080	1366 x 768	1920 x 1080	1920 x 1080
	Max. Color	16.2M	16.7M	16.7M	16.7M	16.7M	16.7M	16.7M
	Luminance	600 cd/m <sup>2</sup>	300 cd/m <sup>2</sup>	350 cd/m <sup>2</sup>	450 cd/m <sup>2</sup>	250 cd/m <sup>2</sup>	250 cd/m <sup>2</sup>	350 cd/m <sup>2</sup>
	Viewing Angle (H/V)	178°/178°	176°/176°	160°/140°	170°/170°	170°/160°	178°/178°	178°/178°
	Backlight Life	50,000 hr	70,000 hr	50,000 hr	50,000 hr	30,000 hr	50,000 hr	30,000 hr
	Contrast Ratio	1000:1	2000:1	800:1	800:1	1000:1	1000:1	1000:1
Touchscreen	Type	5-Wire resistive	PCAP	PCAP	PCAP	PCAP	PCAP	PCAP
	Light Transmission	Above 75%	90% ± 3%	90% ± 3%	90% ± 3%	90% ± 3%	90% ± 3%	90% ± 3%
	Anti-Glare Treatment	Yes	Yes	Yes	Yes	Yes	Yes	Yes
	Built-In iKey	N/A	Yes	Yes	Yes	Yes	Yes	Yes
Expandibility	WiFi/NFC Support on Front Panel	N/A			Optional (Please contact Advantech for more information.)			

## Dimensions

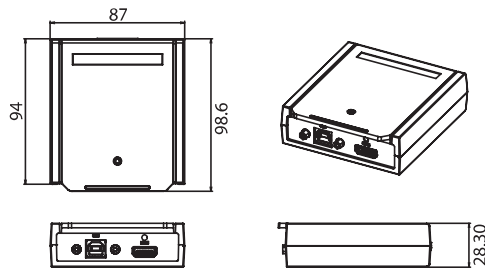
Unit: mm

### FPM-7002 Series



FPM-7002 Display type	System Dimension			Panel Mount		Wall Thickness	
	X1	Y1	Z1	X2	Y2	Z Min.	Z Max.
12" (XGA)	311.8	238	67.1	303	229	1	6
15" (XGA)	383.2	307.3	67.5	374.5	298.5	1	6
15.6" (FHD)	419.7	269	70.3	412.4	261.7	1	6
17" (SXGA)	410.4	343.4	68.3	401.3	334.8	1	6
18" (HD)	488	309	70.3	479.3	300.3	1	6
21.5" (FHD)	558.4	349.8	70.3	550.3	341.8	1	6
23.8" (FHD)	595.9	374.1	70.3	587	365.3	1	6

### FPM-M700 I/O Modules



## Ordering Information

### Configurable System

<b>Box Modules</b>	<b>FPM-B700-AE</b>
Description	Modular FPM monitor box with 2 x I/O slots to accommodate FPM-M700 I/O modules

<b>I/O Modules</b>	<b>FPM-M700-HDAE</b>	<b>FPM-M700-DPAE</b>	<b>FPM-M700-RXAE</b>	<b>FPM-M700-TRAE</b>
Description	HDMI module	DP module	iLink RX module	iLink TX+RX module

Panel Module P/N	FPM-D12T-BE	FPM-D15T-BE	FPM-D17T-BE	FPM-D15W-FBE	FPM-D18W-BE	FPM-D21W-BE	FPM-D24W-BE
Description	12.1" XGA TFT LED LCD	15" XGA TFT LED LCD	17" SXGA TFT LED LCD	15.6" FHD TFT LED LCD	18.5" HD TFT LED LCD	21.5" FHD LED LCD	23.8" FHD TFT LED LCD

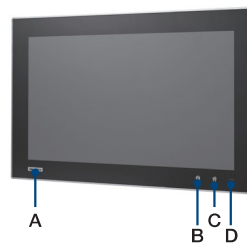
### Pre-configured System

- FPM-7212W-PHBE** 21.5" FHD touch panel with PCAP touch control, 1 x HDMI module, and 1 x I/O slot for another optional FPM-M700 I/O module

## Optional Accessories

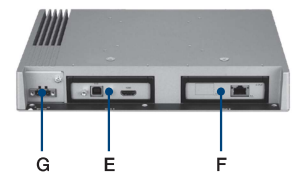
- 1702002600** Power cable (US) 1.8 M
- 1702002605** Power cable (EU) 1.8 M
- 1702031801** Power cable (UK) 1.8 M
- 1700000596-11** Power cable (China/Australia) 1.8 M
- PWR-247-DE** Adapter 100 ~ 240V 120W 24V 5A
- Wi-Fi** Contact your sales rep. for front panel Wi-Fi module
- 98R35000000** USB NFC/RFID module ADT-006 (via CTOS)

### Front View



- A. Customizable logo
- B. iKey
- C. Home key
- D. Power indicator

### Rear View



- E. I/O slot 2 for FPM-M700 I/O module
- F. I/O slot 1 for FPM-M700 I/O module
- G. DC 24V power input (Phoenix Jack)