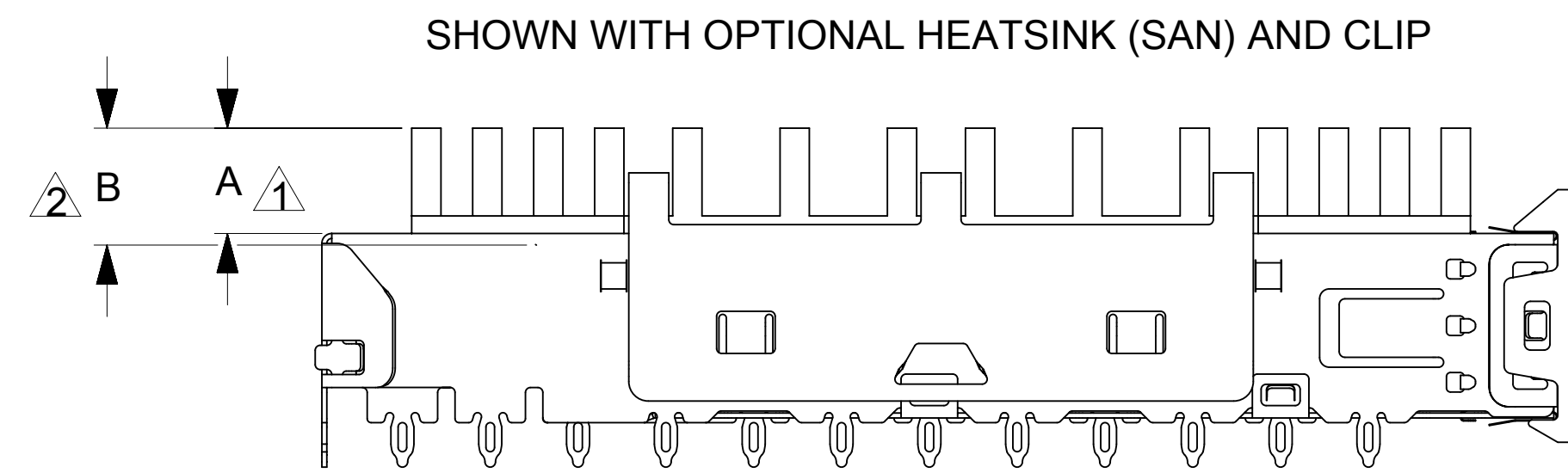
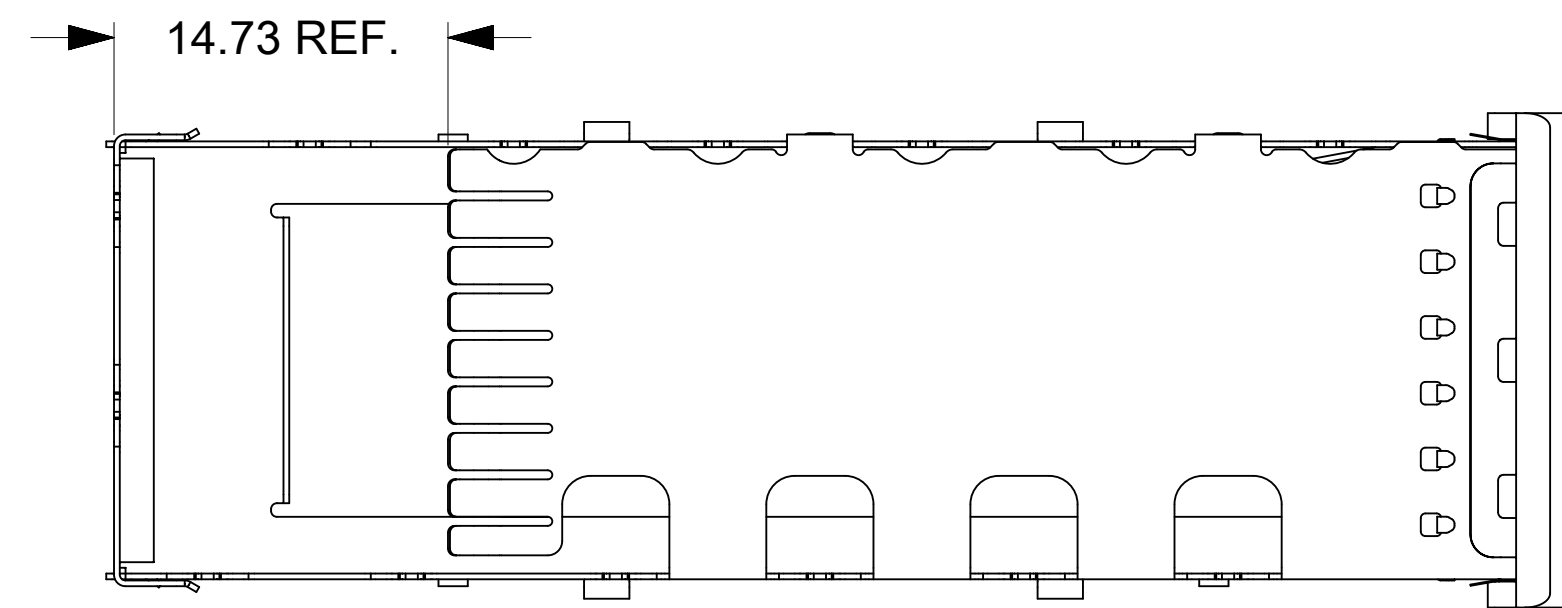
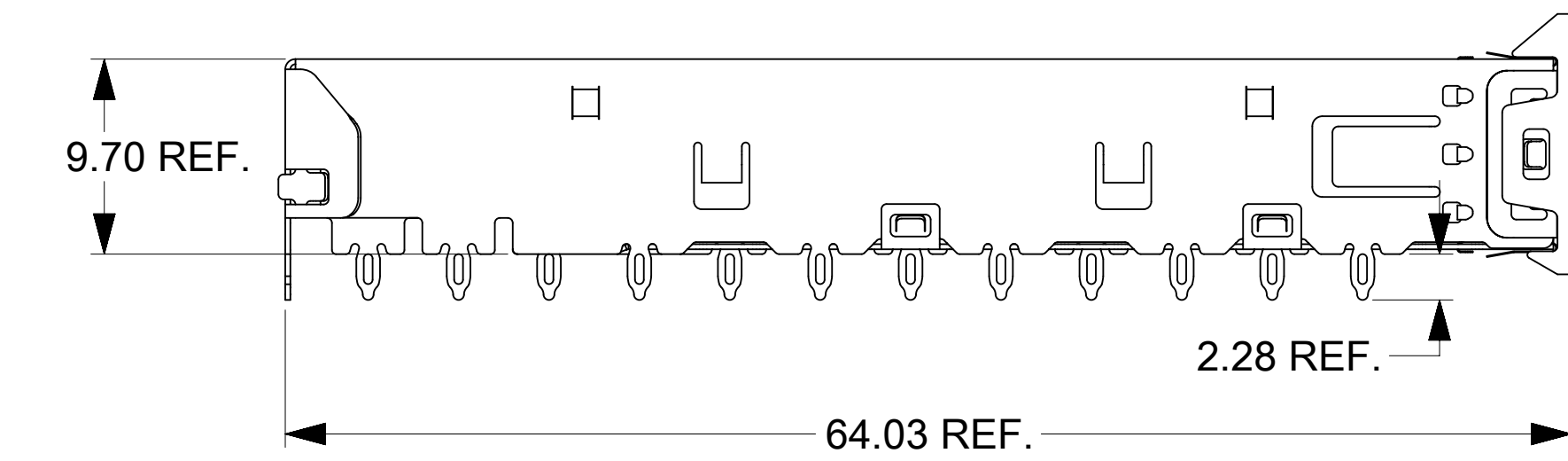
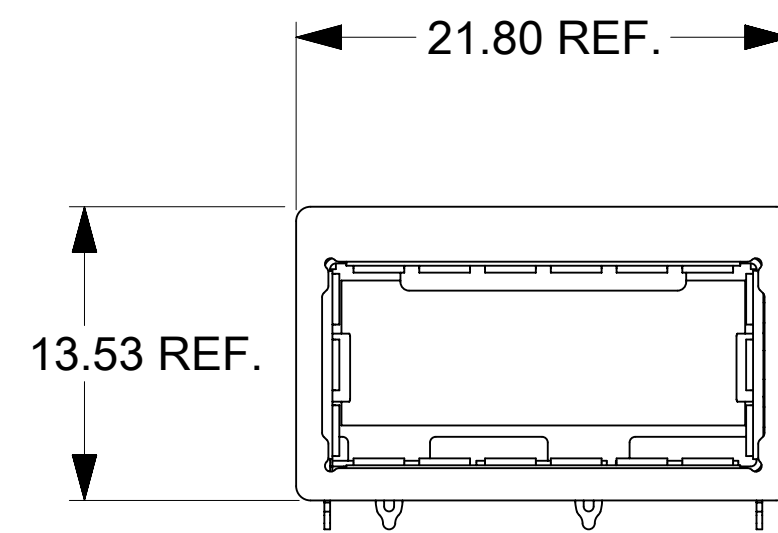


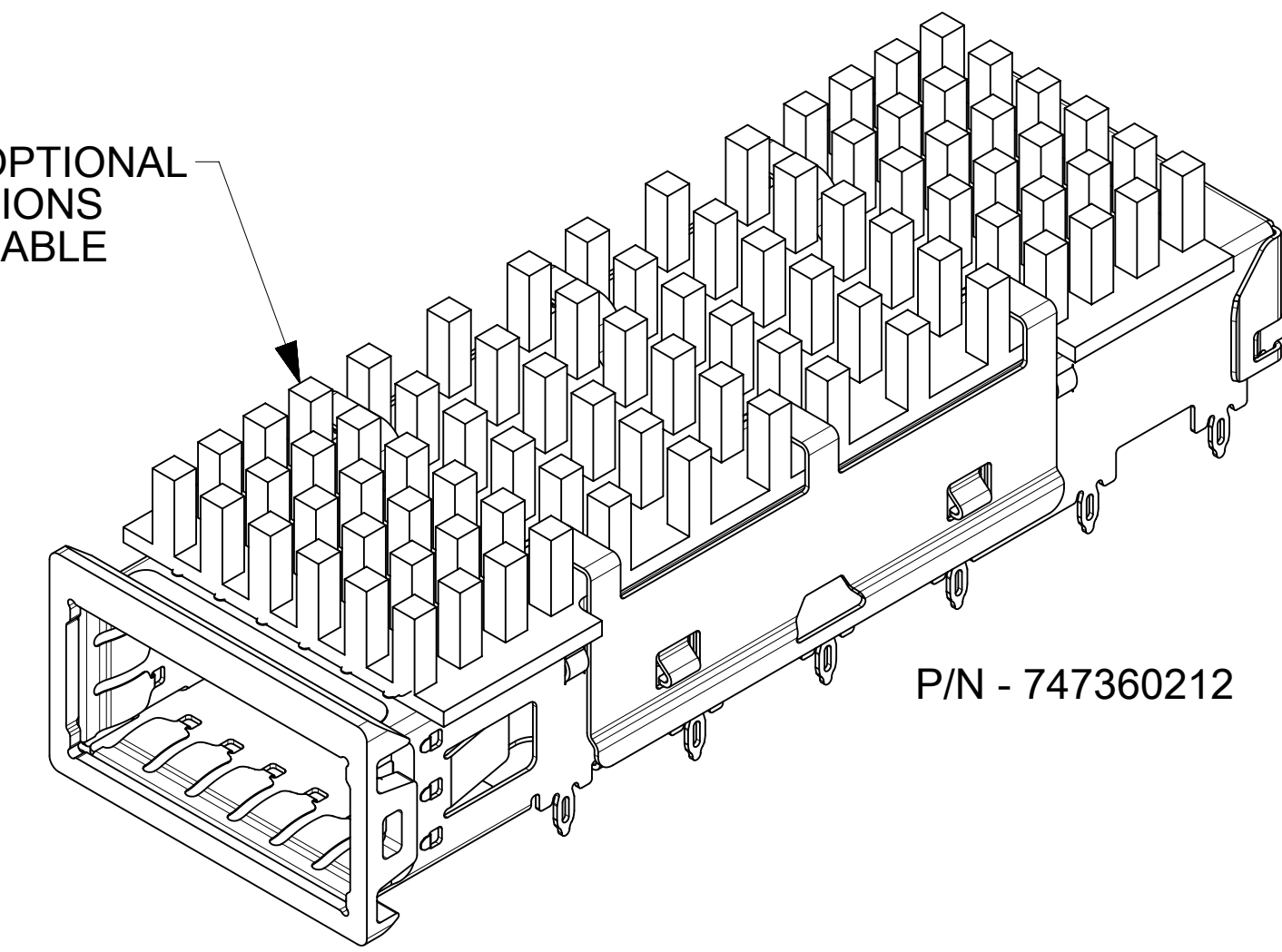
PARTIAL A
SCALE 3:1



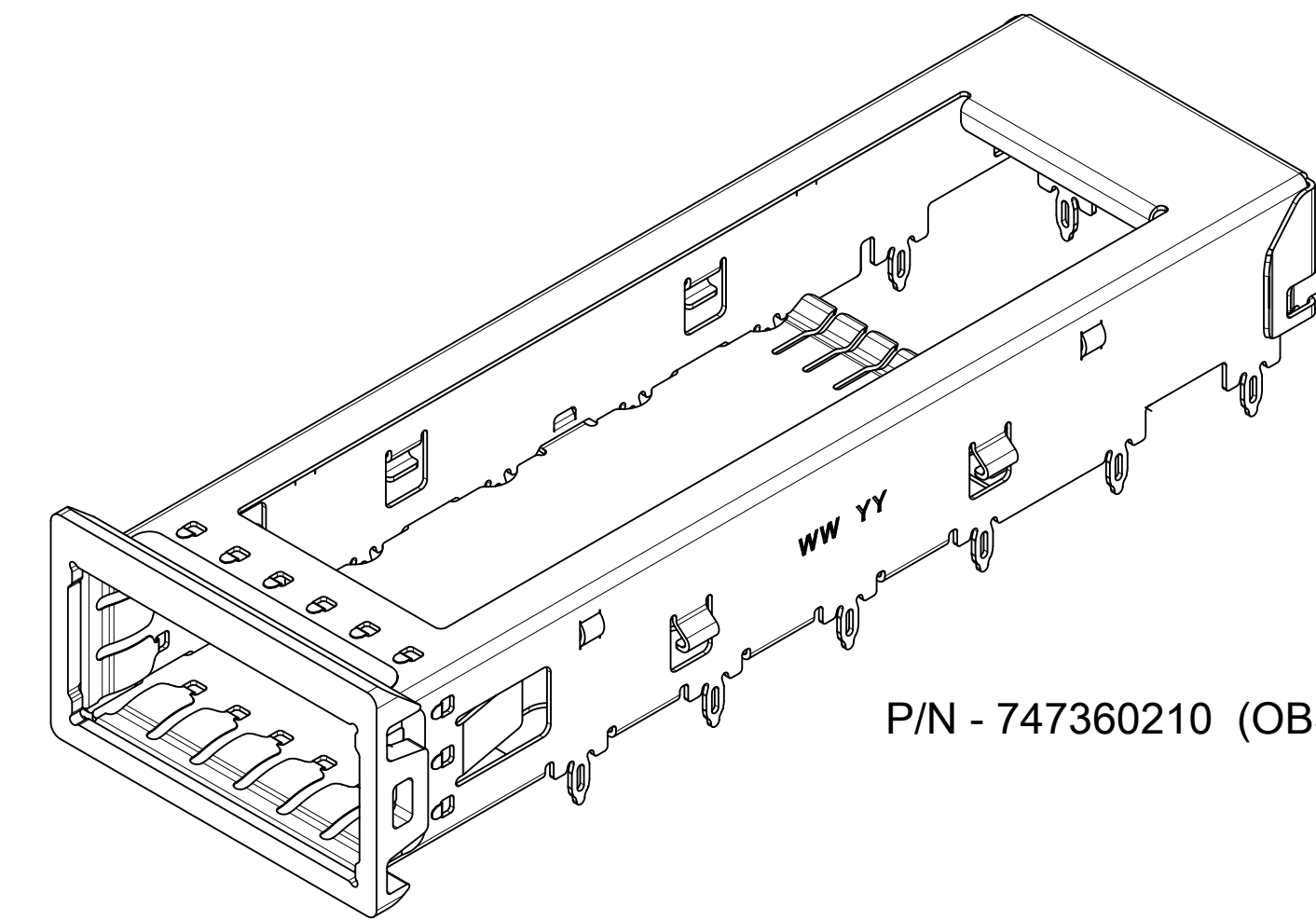
SHOWN WITH OPTIONAL HEATSINK (SAN) AND CLIP

- 1 MAXIMUM HEIGHT OF HEATSINK WITH MODULE INSERTED
- 2 OVERALL HEIGHT OF HEATSINK
- 3. OTHER HEATSINK DESIGNS ARE AVAILABLE INCLUDING CUSTOM DESIGNS

HEATSINK SINK AND CLIP ARE OPTIONAL
SEE CHART FOR HEATSINK OPTIONS
CUSTOM HEATSINKS ARE AVAILABLE



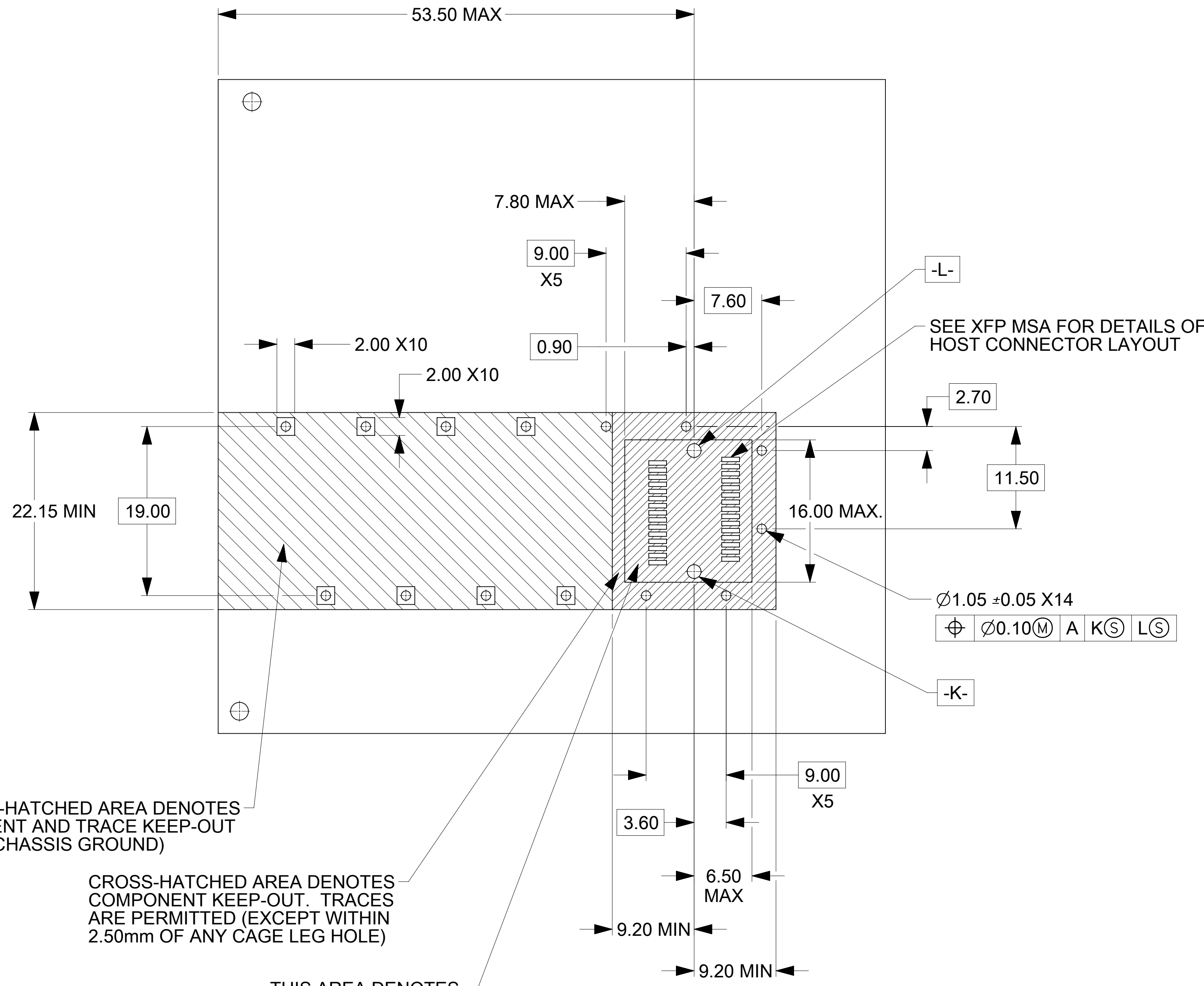
P/N - 747360212



P/N - 747360210 (OBSOLETED)

PART NUMBER FOR XFP CAGE ASSEMBLY & PARTS (W/OUT ELASTOMER EMI GASKET)					
P/N	DIM A	DIM B	DESCRIPTION	POWER LEVEL	THERMAL RESISTANCE @200 LFM
747360211	4.0	4.2	XFP CAGE WITH PCI HEATSINK	UP TO 1.5W	<18.0 C/W
747360212	6.3	6.5	XFP CAGE WITH SAN HEATSINK (SHOWN)	UP TO 2.5W	<11.5 C/W
747360213	13.3	13.5	XFP CAGE WITH TALL HEATSINK	UP TO 3.5W	<8.0 C/W
747360230	N/A	N/A	HEATSINK CLIP ONLY	N/A	N/A
747360240	N/A	N/A	PCI HEATSINK ONLY	UP TO 1.5W	<18.0 C/W
747360241	N/A	N/A	SAN HEATSINK ONLY	UP TO 2.5W	<11.5 C/W
747360242	N/A	N/A	TALL HEATSINK ONLY	UP TO 3.5W	<8.0 C/W

THIS DRAWING CONTAINS INFORMATION THAT IS PROPRIETARY TO MOLEX ELECTRONIC TECHNOLOGIES, LLC AND SHOULD NOT BE USED WITHOUT WRITTEN PERMISSION					
DIMENSION UNITS mm	SCALE 3:1	CURRENT REV DESC:			
GENERAL TOLERANCES (UNLESS SPECIFIED)		EC NO: 624461		molex	
4 PLACES ±	±	DRWN: AKUMAR19 2019/02/04			
3 PLACES ±	±	CHK'D: GGA 2019/10/17		XFP CAGE ASSEMBLY WITHOUT ELASTOMER EMI GASKET	
2 PLACES ±	0.1 ±	APPR: GGA 2019/10/17		PRODUCT CUSTOMER DRAWING	
1 PLACE ±	0.25 ±	INITIAL REVISION:		DOCUMENT NUMBER	
0 PLACES ±	±	DRWN: KLLOYD 2004/12/02		SD-74736-210	
ANGULAR TOL ±	1.0 °	APPR: RMAHMOOD 2010/11/09		DOC TYPE	DOC PART
DRAFT WHERE APPLICABLE MUST REMAIN WITHIN DIMENSIONS		THIRD ANGLE PROJECTION	DRAWING	SERIES	REVISION
			D-SIZE	74736	C
			SEE TABLE	GENERAL MARKET	SHEET NUMBER
					1 OF 2

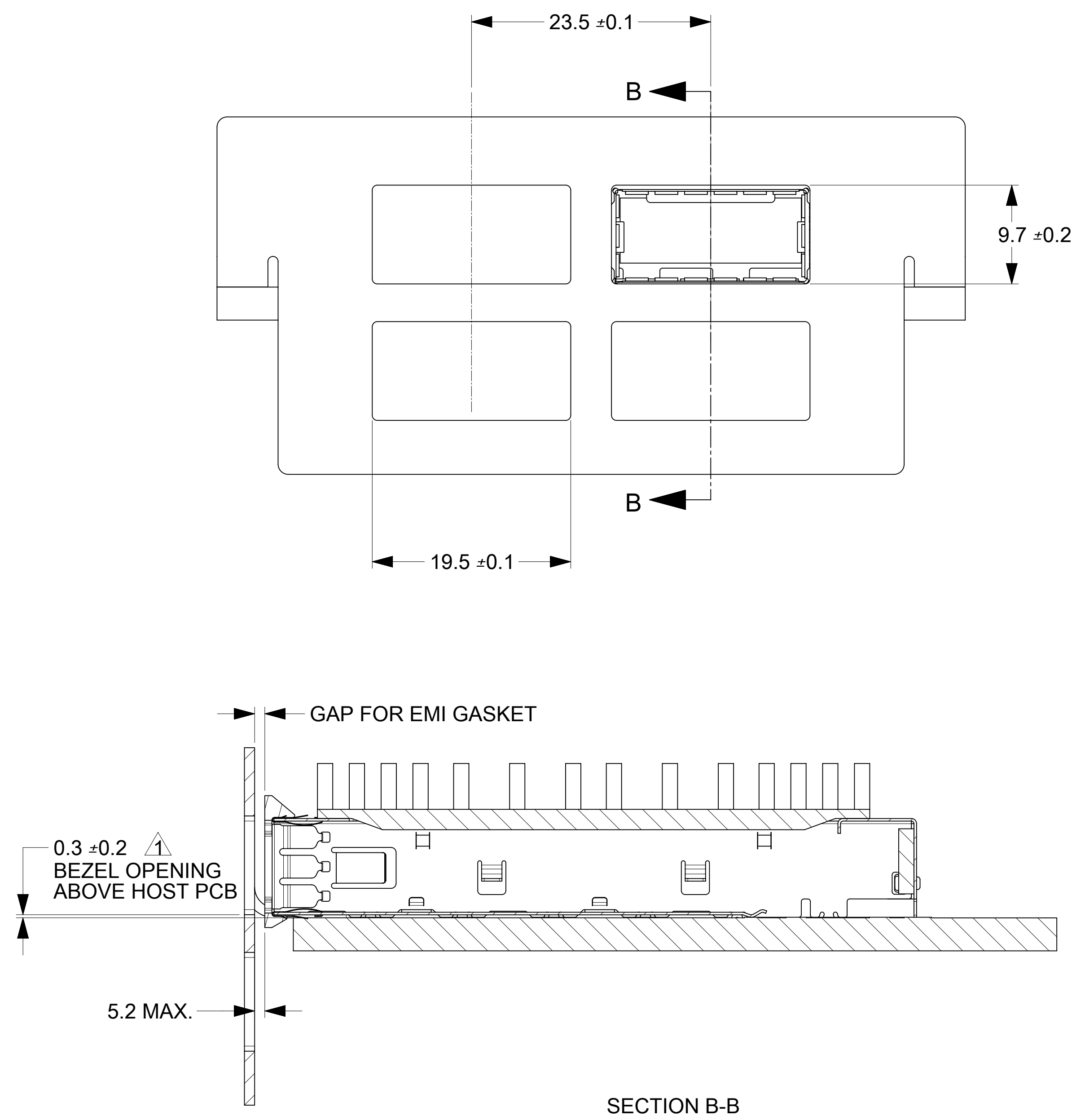


CROSSED-HATCHED AREA DENOTES COMPONENT AND TRACE KEEP-OUT (EXCEPT CHASSIS GROUND)

CROSS-HATCHED AREA DENOTES COMPONENT KEEP-OUT. TRACES ARE PERMITTED (EXCEPT WITHIN 2.50mm OF ANY CAGE LEG HOLE)

THIS AREA DENOTES COMPONENT KEEP-OUT (TRACES ALLOWED)

\triangle FOR PCI APPLICATIONS RECOMMENDED DIMENSION IS 0.4 ±0.1



SECTION B-B

THIS DRAWING CONTAINS INFORMATION THAT IS PROPRIETARY TO MOLEX ELECTRONIC TECHNOLOGIES, LLC AND SHOULD NOT BE USED WITHOUT WRITTEN PERMISSION									
DIMENSION UNITS		SCALE		CURRENT REV DESC:					
mm		3:1							
GENERAL TOLERANCES (UNLESS SPECIFIED)				EC NO: 624461					
4 PLACES ±		±		DRWN: AKUMAR19		2019/02/04			
3 PLACES ±		±		CHK'D: GGA		2019/10/17			
2 PLACES ±		0.1		APPR: GGA		2019/10/17			
1 PLACE ±		0.25		INITIAL REVISION:					
0 PLACES ±		±		DRWN: KLLOYD		2004/12/02			
ANGULAR TOL ±		1.0 °		APPR: RMAHMOOD		2010/11/09			
DRAFT WHERE APPLICABLE MUST REMAIN WITHIN DIMENSIONS				THIRD ANGLE PROJECTION		DRAWING		SERIES	
						D-SIZE		74736	
DOCUMENT STATUS				MATERIAL NUMBER		CUSTOMER		SHEET NUMBER	
P1		RELEASE DATE		SD-74736-210		GENERAL MARKET		2 OF 2	
2019/10/17		02:39:02		PSD		001		C	