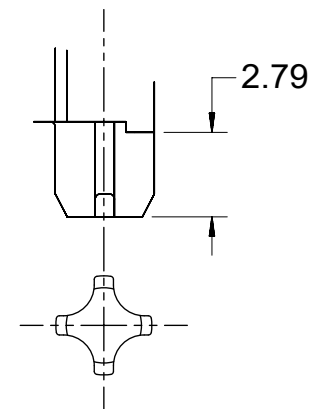


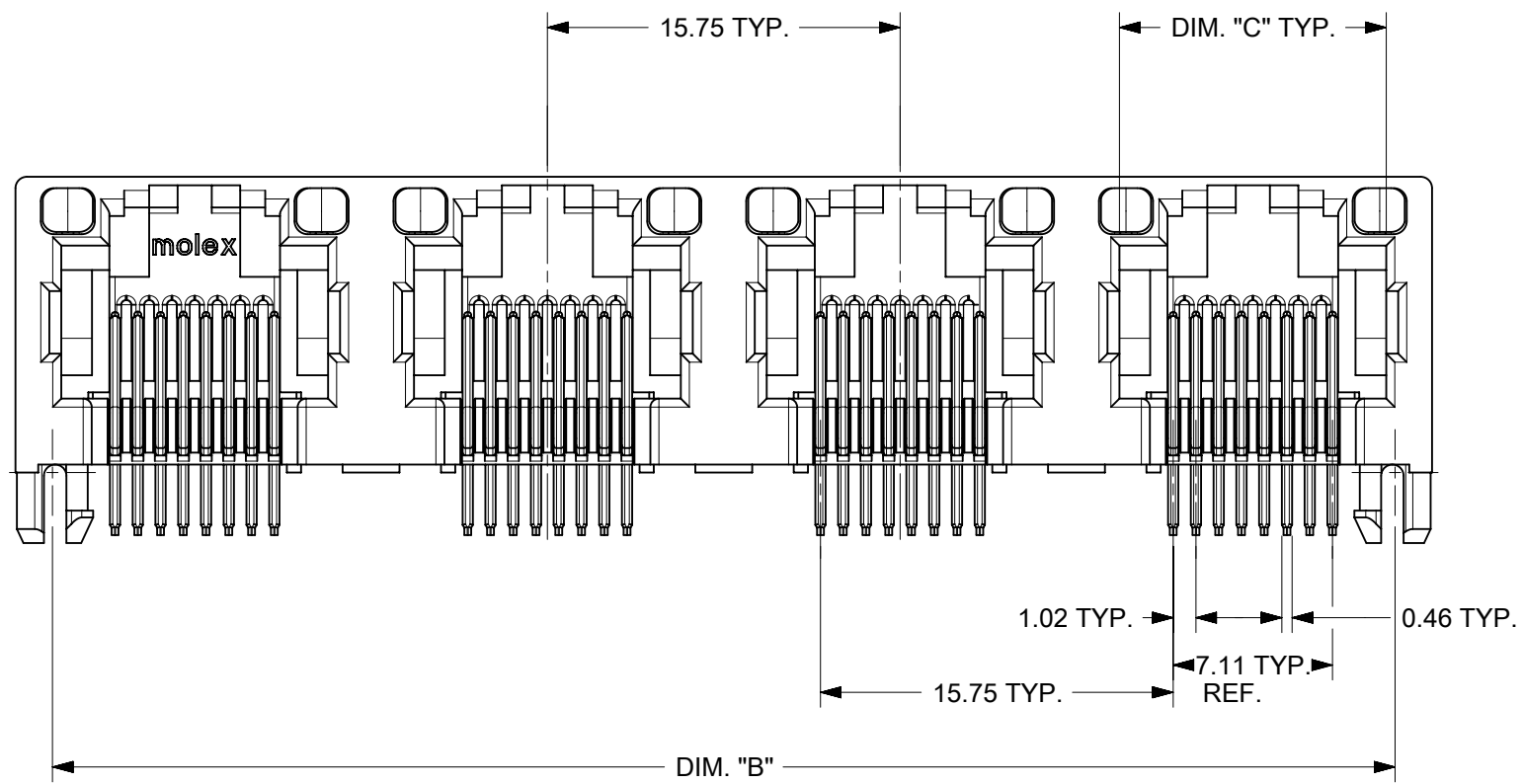
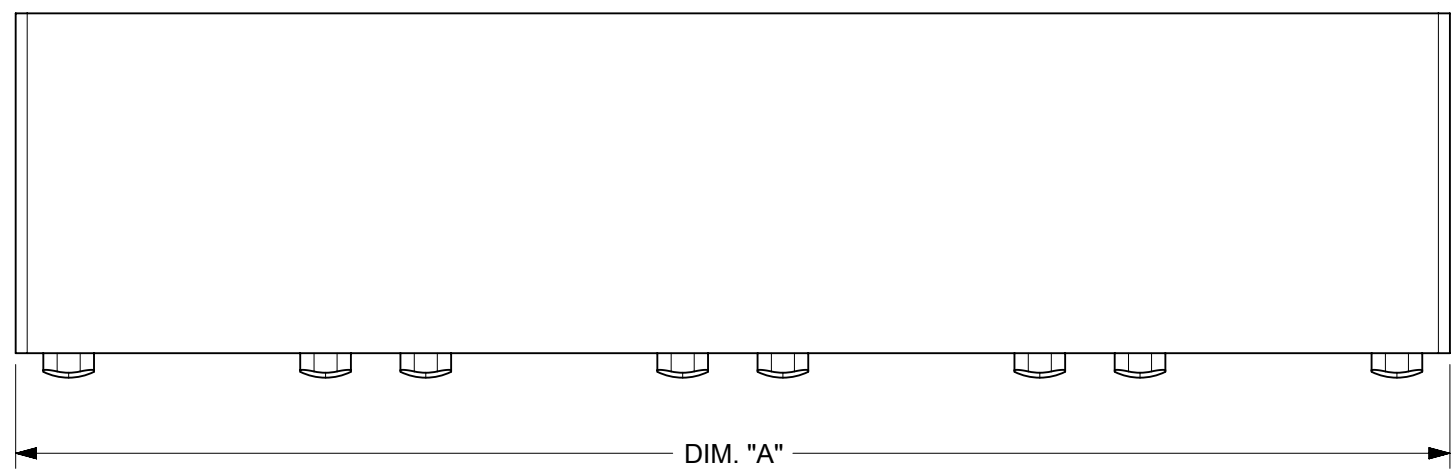
**SNAP-FIT PEG OPTION**

SCALE: NTS  
SEE NOTE 8

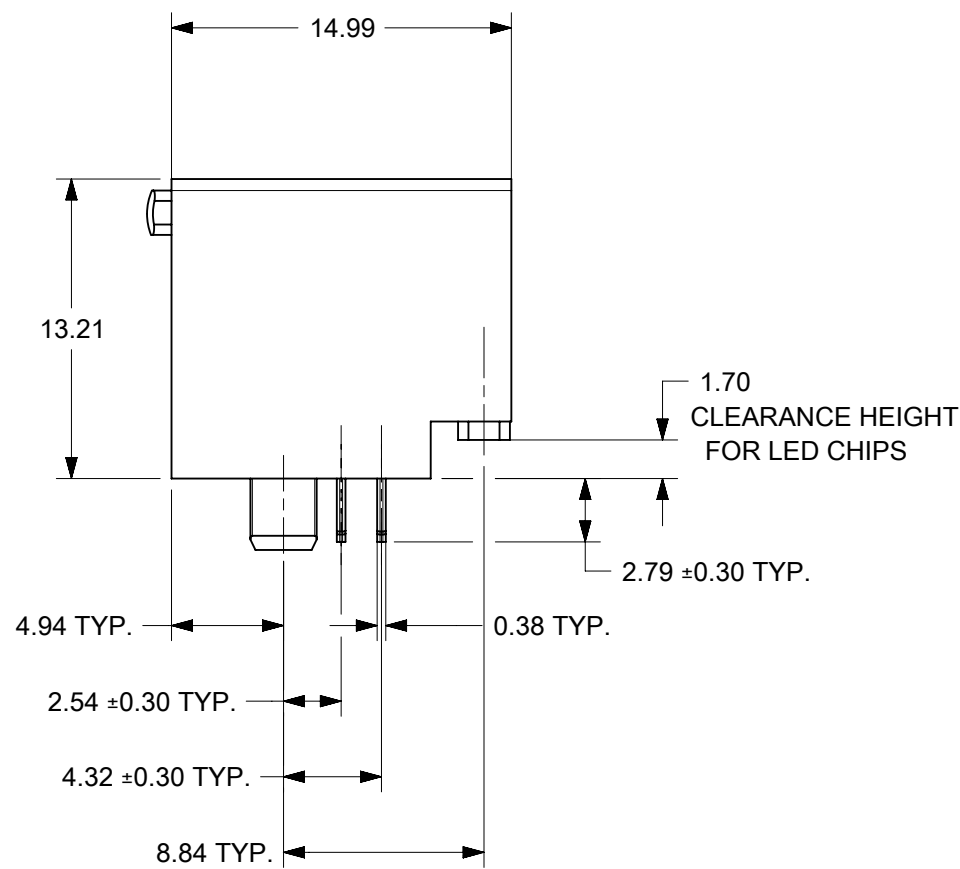


**PRESS-FIT PEG OPTION**

SCALE: NTS  
SEE NOTE 8



**UNSHIELDED  
WITH LIGHT PIPES**



**8 CIRCUIT HOUSING(S)**

X = NOT TOOLED	ASSEMBLY MAT'L NUM	NUM OF CIRCUITS	NUM OF PORTS	PEG STYLE	DIM "A"	DIM "B"	DIM "C"
	44248-0001	8	2	SNAP-FIT	31.75	28.45	11.92
X	44248-0002	8	4	SNAP-FIT	63.25	59.94	11.92
X	44248-0005	8	2	PRESS-FIT	31.75	28.45	11.92
X	44248-0006	8	4	PRESS-FIT	63.25	59.94	11.92

**6 CIRCUIT HOUSING(S)**

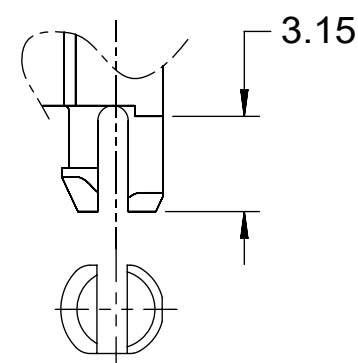
X = NOT TOOLED	ASSEMBLY MAT'L NUM	NUM OF CIRCUITS	NUM OF PORTS	PEG STYLE	DIM "A"	DIM "B"	DIM "C"
X	44248-0009	6	2	SNAP-FIT	31.75	28.45	9.88
X	44248-0010	4	2	SNAP-FIT	31.75	28.45	9.88
X	44248-0011	6	4	SNAP-FIT	63.25	59.94	9.88
X	44248-0012	4	4	SNAP-FIT	63.25	59.94	9.88
X	44248-0017	6	2	PRESS-FIT	31.75	28.45	9.88
X	44248-0018	4	2	PRESS-FIT	31.75	28.45	9.88
X	44248-0019	6	4	PRESS-FIT	63.25	59.94	9.88
X	44248-0020	4	4	PRESS-FIT	63.25	59.94	9.88

**NOTES:**

- MATERIAL:  
HOUSING: POLYESTER(PBT), GLASS FILLED, UL94V-0, COLOR: BLACK  
LIGHT PIPES: POLYCARBONATE, UL-94V2, COLOR: CLEAR  
TERMINALS: PHOSPHOR BRONZE
- FINISH:  
TERMINALS:  
SELECT GOLD IN CONTACT AREA: 1.27 MICROMETERS MIN.,  
SELECT TIN IN PC TAIL AREA: 2.54 MICROMETERS MIN.,  
WITH OVERALL NICKEL UNDERPLATE: 1.27 MICROMETERS MIN.
- PRODUCT SPECIFICATION AND PROCESSING PARAMETERS: PS-43860-003.
- PACKAGING SPECIFICATION:  
CONNECTOR ASSEMBLIES IN THERMOFORMED TRAYS PER MOLEX PACKAGING SPECIFICATION PK-44248-004.
- APPLICATION SPECIFICATION: AS-43860-001
- ALL UNTOLERANCED DIMENSIONS ARE SHOWN FOR REFERENCE ONLY.
- CONFORMS TO FCC REGULATION PART 68.5 FOR MODULAR JACKS.
- MODJACKS AVAILABLE WITH EITHER SNAP-FIT OR PRESS-FIT PEGS.  
THIS DRAWING SHOWS SNAP-FIT PEGS.
- PCB LAYOUT AND PANEL CUT-OUT SHOWN ON SHEETS (5) AND (6).
- THIS PART CONFORMS TO CLASS B REQUIREMENTS OF COSMETIC SPECIFICATION PS-45499-002.

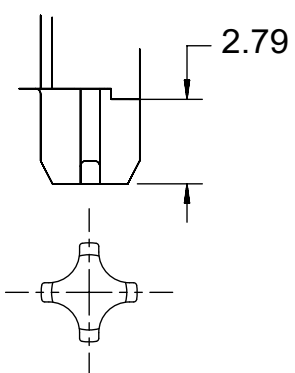
FUNCTIONAL SYMBOLS	THIS DRAWING CONTAINS INFORMATION THAT IS PROPRIETARY TO MOLEX ELECTRONIC TECHNOLOGIES, LLC AND SHOULD NOT BE USED WITHOUT WRITTEN PERMISSION		CURRENT REV DESC: MIGRATION.		
	DIMENSION UNITS	SCALE			
$\frac{F}{A} = 0$	mm	3:1			<b>GANGED INVERTED MODJACK ASSEMBLY</b>
$\frac{F}{C} = 0$	GENERAL TOLERANCES (UNLESS SPECIFIED)				
$\frac{F}{P} = 0$	ANGULAR TOL ± 0.5°				<b>PRODUCT CUSTOMER DRAWING</b>
DIVISIONAL SYMBOLS	4 PLACES ±		EC NO: 708533		
	3 PLACES ±		DRWN: FAYEW 2022/05/26		
	2 PLACES ± 0.25		CHK'D: KLANG 2022/06/29		
	1 PLACE ±		APPR: KLANG 2022/06/29		
	0 PLACES ±		INITIAL REVISION:		
	DRAFT WHERE APPLICABLE MUST REMAIN WITHIN DIMENSIONS		DRWN: FAYEW 2022/05/26		DOCUMENT NUMBER <b>442480001</b>
	THIRD ANGLE PROJECTION		APPR: KLANG 2022/06/29		
		DRAWING	SERIES	MATERIAL NUMBER	CUSTOMER
		C-SIZE	44248	SEE CHART	GENERAL MARKET
					SHEET NUMBER
					1 OF 6

**PREVIOUS DRAWING: SD-44248-001**



**SNAP-FIT PEG OPTION**

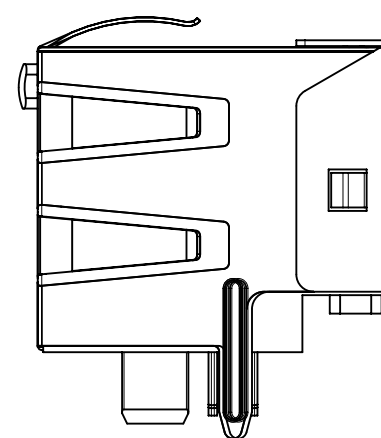
SCALE: NTS  
SEE NOTE 8



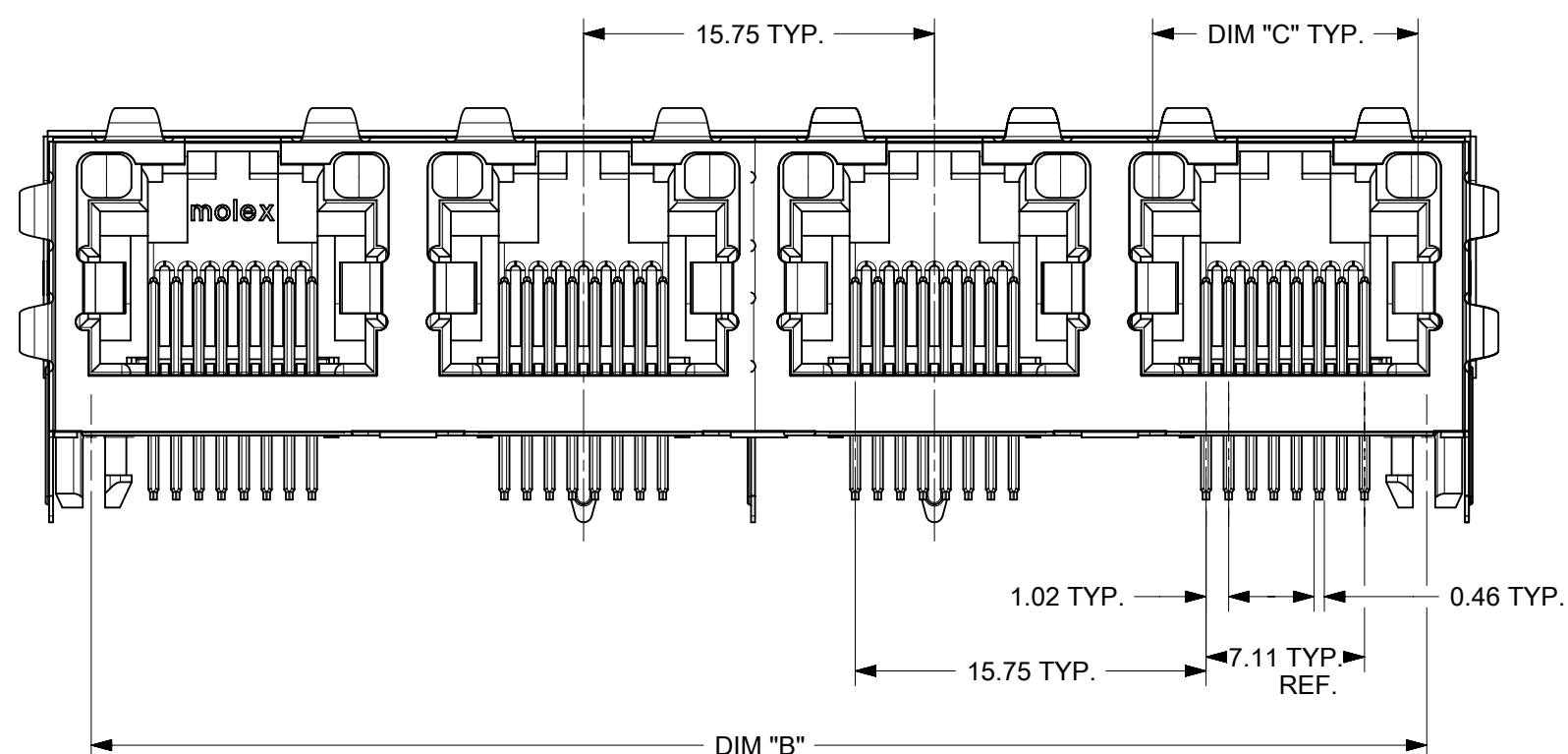
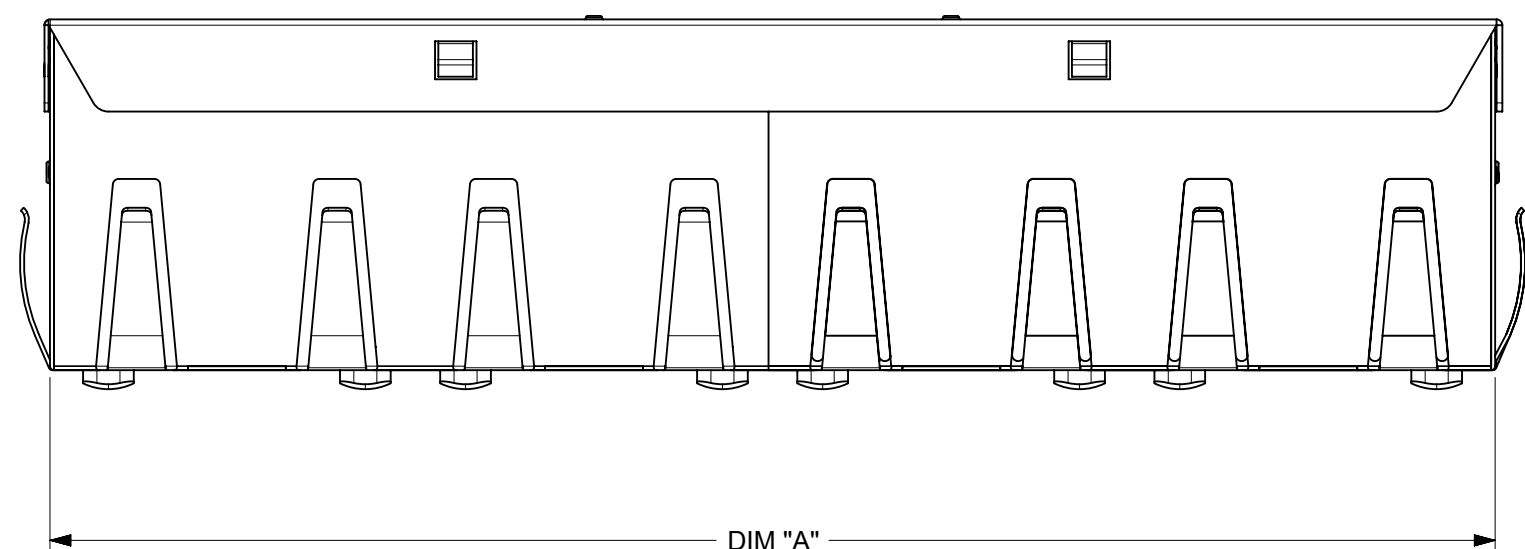
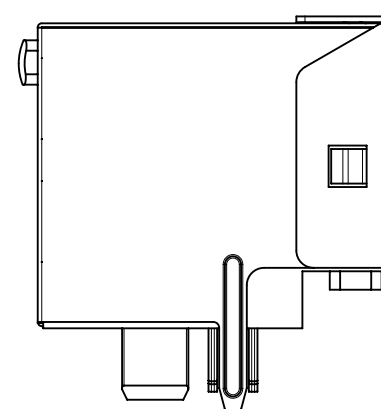
**PRESS-FIT PEG OPTION**

SCALE: NTS  
SEE NOTE 8

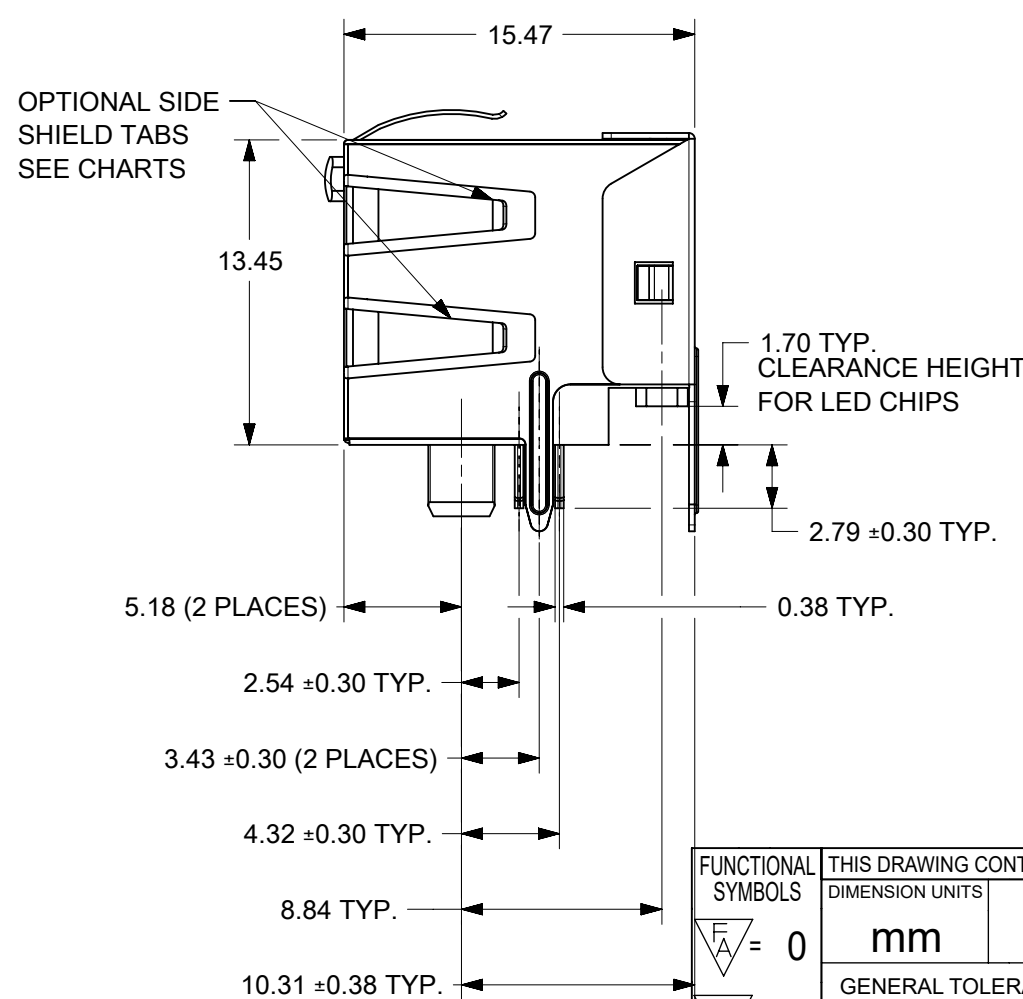
**SIDE SHIELD  
TAB OPTION A**



**SIDE SHIELD  
TAB OPTION B**



**SHIELDED  
WITH LIGHT PIPES**

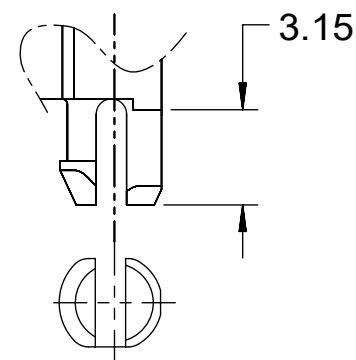


<b>(8) CIRCUIT HOUSING(S)</b>								
X = NOT TOOLED	ASSEMBLY MATERIAL NUMBER	NUMBER OF CIRCUITS	NUMBER OF PORTS	PEG STYLE	SIDE SHIELD TAB OPTION	DIM "A"	DIM "B"	DIM "C"
	44248-0029	8	2	SNAP-FIT	A	32.36	28.45	11.92
	44248-0030	8	4	SNAP-FIT	A	63.86	59.94	11.92
	44248-0033	8	2	PRESS-FIT	A	32.36	28.45	11.92
	44248-0034	8	4	PRESS-FIT	A	63.86	59.94	11.92

<b>(6) CIRCUIT HOUSING(S)</b>								
X = NOT TOOLED	ASSEMBLY MATERIAL NUMBER	NUMBER OF CIRCUITS	NUMBER OF PORTS	PEG STYLE	SIDE SHIELD TAB OPTION	DIM "A"	DIM "B"	DIM "C"
X	44248-0037	6	2	SNAP-FIT	A	32.36	28.45	9.88
X	44248-0038	4	2	SNAP-FIT	A	32.36	28.45	9.88
X	44248-0039	6	4	SNAP-FIT	A	63.86	59.94	9.88
X	44248-0040	4	4	SNAP-FIT	A	63.86	59.94	9.88
X	44248-0045	6	2	PRESS-FIT	A	32.36	28.45	9.88
X	44248-0046	4	2	PRESS-FIT	A	32.36	28.45	9.88
X	44248-0047	6	4	PRESS-FIT	A	63.86	59.94	9.88
X	44248-0048	4	4	PRESS-FIT	A	63.86	59.94	9.88

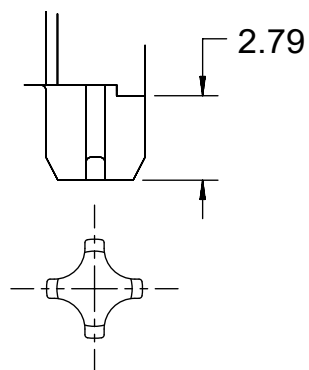
- NOTES:**
- MATERIAL:**  
HOUSING: POLYESTER(PBT), GLASS FILLED, UL94V-0, COLOR: BLACK  
LIGHT PIPES: POLYCARBONATE, UL-94V2, COLOR: CLEAR  
TERMINALS: PHOSPHOR BRONZE  
SHIELD: BRASS
  - FINISH:**  
TERMINALS:  
SELECT GOLD IN CONTACT AREA: 1.27 MICROMETERS MIN.,  
SELECT TIN IN PC TAIL AREA: 2.54 MICROMETERS MIN.,  
WITH OVERALL NICKEL UNDERPLATE: 1.27 MICROMETERS MIN.
  - PRODUCT SPECIFICATION AND PROCESSING PARAMETERS:** PS-43860-003.
  - PACKAGING SPECIFICATION:**  
CONNECTOR ASSEMBLIES IN THERMOFORMED TRAYS PER MOLEX PACKAGING SPECIFICATION PK-44248-004.
  - APPLICATION SPECIFICATION:** AS-43860-001
  - ALL UNTOLERANCED DIMENSIONS ARE SHOWN FOR REFERENCE ONLY.
  - CONFORMS TO FCC REGULATION PART 68.5 FOR MODULAR JACKS.
  - MODJACKS AVAILABLE WITH EITHER SNAP-FIT OR PRESS-FIT PEGS.
  - THIS DRAWING SHOWS SNAP-FIT PEGS.
  - PCB LAYOUT AND PANEL CUT-OUT SHOWN ON SHEETS (5) AND (6).
  - THIS PART CONFORMS TO CLASS B REQUIREMENTS OF COSMETIC SPECIFICATION PS-45499-002.

FUNCTIONAL SYMBOLS		THIS DRAWING CONTAINS INFORMATION THAT IS PROPRIETARY TO MOLEX ELECTRONIC TECHNOLOGIES, LLC AND SHOULD NOT BE USED WITHOUT WRITTEN PERMISSION		CURRENT REV DESC: MIGRATION.		<b>molex</b>	
$\frac{F}{A} = 0$	DIMENSION UNITS	SCALE	EC NO: 708533				
$\frac{F}{E} = 0$	mm	3:1	DRWN: FAYEW 2022/05/26			GANGED INVERTED MODJACK ASSEMBLY	
$\frac{F}{P} = 0$	GENERAL TOLERANCES (UNLESS SPECIFIED)		CHK'D: KLANG 2022/06/29				
DIVISIONAL SYMBOLS		ANGULAR TOL ± 0.5°		APPR: KLANG 2022/06/29		PRODUCT CUSTOMER DRAWING	
4 PLACES ±		3 PLACES ±		INITIAL REVISION:		DOCUMENT NUMBER	
2 PLACES ± 0.25		1 PLACE ±		DRWN: FAYEW 2022/05/26		442480001	
0 PLACES ±		APPR: KLANG 2022/06/29		SERIES		DOC TYPE DOC PART REVISION	
DRAFT WHERE APPLICABLE MUST REMAIN WITHIN DIMENSIONS		THIRD ANGLE PROJECTION		DRAWING		MATERIAL NUMBER CUSTOMER SHEET NUMBER	
		C-SIZE		44248		SEE CHART GENERAL MARKET 2 OF 6	



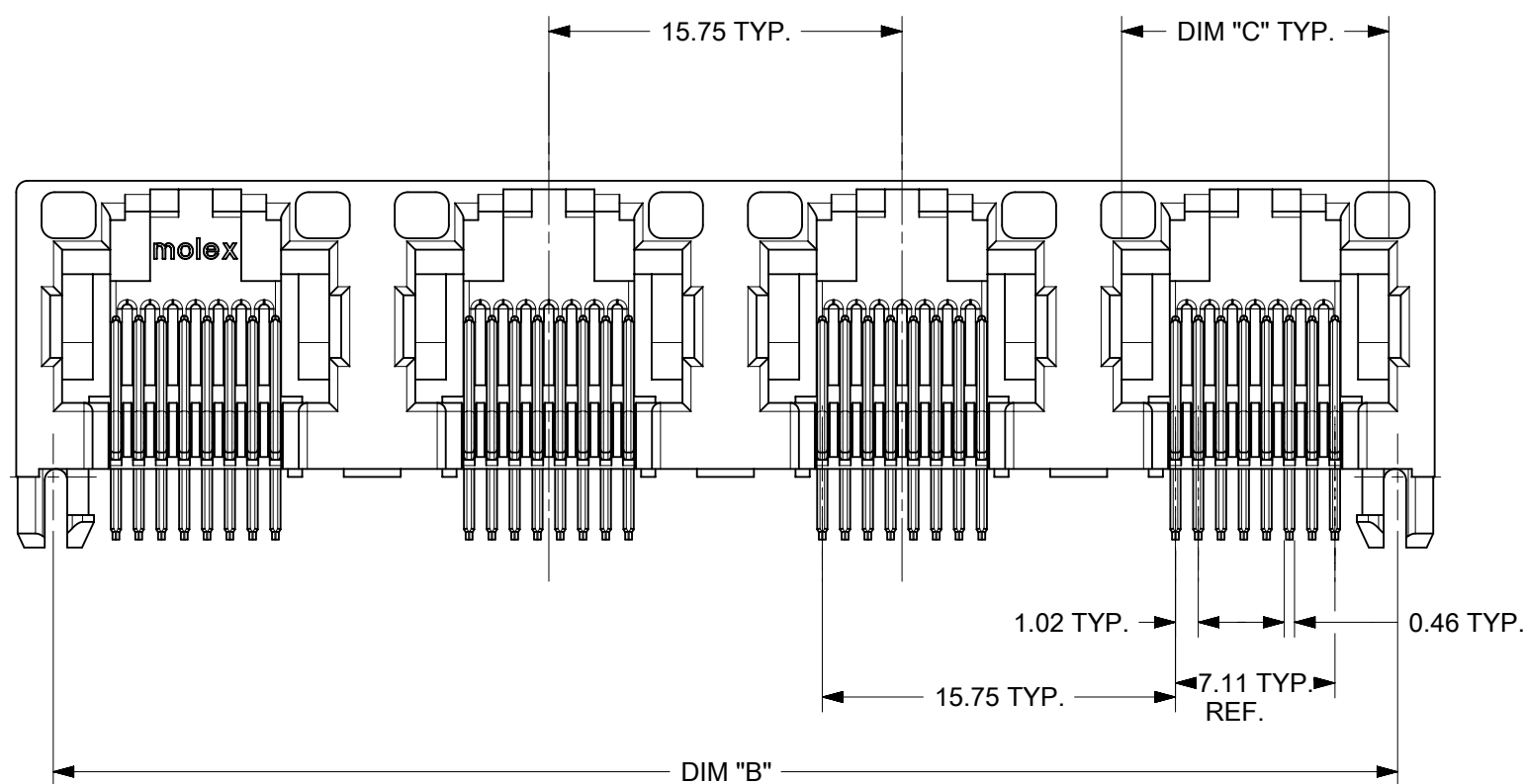
**SNAP-FIT PEG OPTION**

SCALE: NTS  
SEE NOTE 7

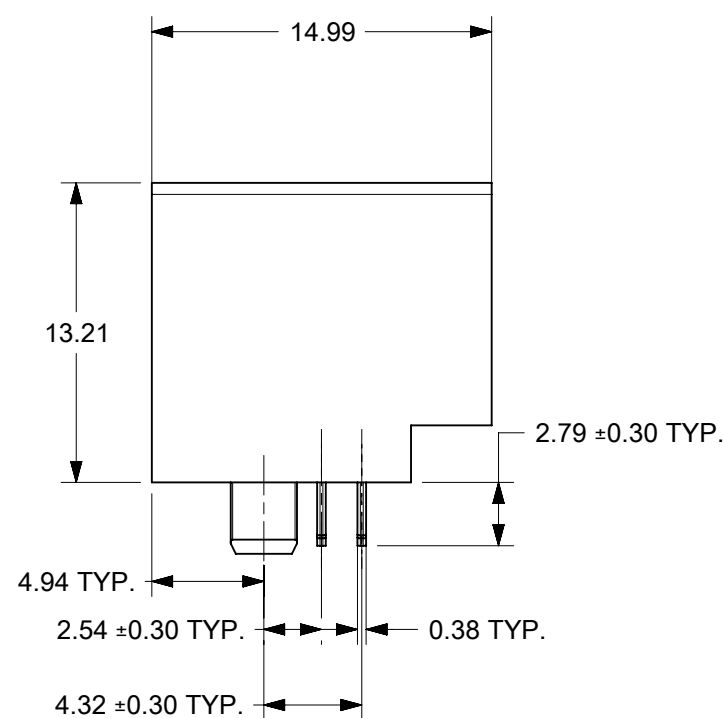


**PRESS-FIT PEG OPTION**

SCALE: NTS  
SEE NOTE 7



**UNSHIELDED**



**8 CIRCUIT HOUSING(S)**

X = NOT TOOLED	ASSEMBLY MAT'L NUM	NUM OF CIRCUITS	NUM OF PORTS	PEG STYLE	DIM "A"	DIM "B"	DIM "C"
	44248-0057	8	2	SNAP-FIT	31.75	28.45	11.92
	44248-0058	8	4	SNAP-FIT	63.25	59.94	11.92
X	44248-0061	8	2	PRESS-FIT	31.75	28.45	11.92
X	44248-0062	8	4	PRESS-FIT	63.25	59.94	11.92

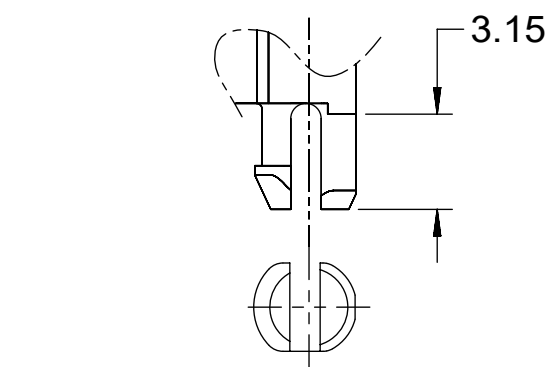
**6 CIRCUIT HOUSING(S)**

X = NOT TOOLED	ASSEMBLY MAT'L NUM	NUM OF CIRCUITS	NUM OF PORTS	PEG STYLE	DIM "A"	DIM "B"	DIM "C"
X	44248-0065	6	2	SNAP-FIT	31.75	28.45	9.88
X	44248-0066	4	2	SNAP-FIT	31.75	28.45	9.88
X	44248-0067	6	4	SNAP-FIT	63.25	59.94	9.88
X	44248-0068	4	4	SNAP-FIT	63.25	59.94	9.88
X	44248-0073	6	2	PRESS-FIT	31.75	28.45	9.88
X	44248-0074	4	2	PRESS-FIT	31.75	28.45	9.88
X	44248-0075	6	4	PRESS-FIT	63.25	59.94	9.88
X	44248-0076	4	4	PRESS-FIT	63.25	59.94	9.88

**NOTES:**

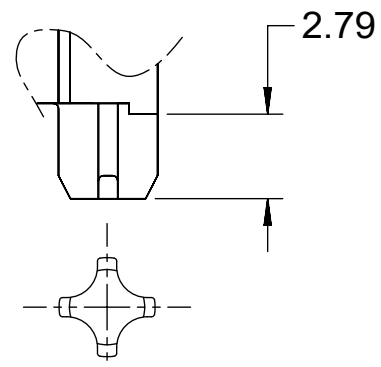
- MATERIAL:  
HOUSING: POLYESTER(PBT), GLASS FILLED, UL94V-0, COLOR: BLACK  
TERMINALS: PHOSPHOR BRONZE
- FINISH:  
TERMINALS:  
SELECT GOLD IN CONTACT AREA: 1.27 MICROMETERS MIN.,  
SELECT TIN IN PC TAIL AREA: 2.54 MICROMETERS MIN.,  
WITH OVERALL NICKEL UNDERPLATE: 1.27 MICROMETERS MIN.
- PRODUCT SPECIFICATION AND PROCESSING PARAMETERS: PS-43860-003.
- PACKAGING SPECIFICATION:  
CONNECTOR ASSEMBLIES IN THERMOFORMED TRAYS PER MOLEX PACKAGING SPECIFICATION PK-44248-004.
- ALL UNTOLERANCED DIMENSIONS ARE SHOWN FOR REFERENCE ONLY.
- CONFORMS TO FCC REGULATION PART 68.5 FOR MODULAR JACKS.
- MODJACKS AVAILABLE WITH EITHER SNAP-FIT OR PRESS-FIT PEGS.  
THIS DRAWING SHOWS SNAP-FIT PEGS.
- PCB LAYOUT AND PANEL CUT-OUT SHOWN ON SHEETS (5) AND (6).
- THIS PART CONFORMS TO CLASS B REQUIREMENTS OF COSMETIC SPECIFICATION PS-45499-002.

<b>FUNCTIONAL SYMBOLS</b> $\frac{F}{A} = 0$ $\frac{F}{C} = 0$ $\frac{F}{P} = 0$	THIS DRAWING CONTAINS INFORMATION THAT IS PROPRIETARY TO MOLEX ELECTRONIC TECHNOLOGIES, LLC AND SHOULD NOT BE USED WITHOUT WRITTEN PERMISSION		CURRENT REV DESC: MIGRATION.		
	DIMENSION UNITS	SCALE	EC NO: 708533		
	mm	3:1	DRWN: FAYEW 2022/05/26		
	GENERAL TOLERANCES (UNLESS SPECIFIED)		CHK'D: KLANG 2022/06/29		
<b>DIVISIONAL SYMBOLS</b> 4 PLACES ± 3 PLACES ± 2 PLACES ± 0.25 1 PLACE ± 0 PLACES ±	ANGULAR TOL ± 0.5°		APPR: KLANG 2022/06/29		<b>PRODUCT CUSTOMER DRAWING</b> DOCUMENT NUMBER: 442480001 DOC TYPE: PSD DOC PART: 000 REVISION: C7
	DRAFT WHERE APPLICABLE MUST REMAIN WITHIN DIMENSIONS		INITIAL REVISION: DRWN: FAYEW 2022/05/26 APPR: KLANG 2022/06/29		
	THIRD ANGLE PROJECTION		DRAWING SERIES: C-SIZE 44248		
	MATERIAL NUMBER: SEE CHART		CUSTOMER: GENERAL MARKET		
SHEET NUMBER: 3 OF 6					



**SNAP-FIT PEG OPTION**

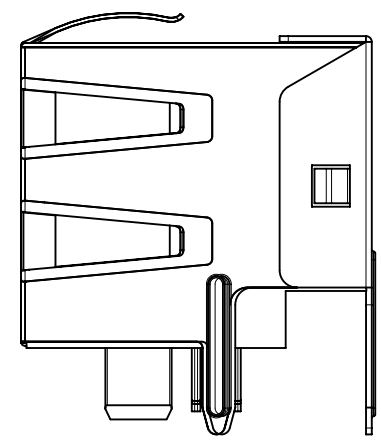
SCALE: NTS  
SEE NOTE 7



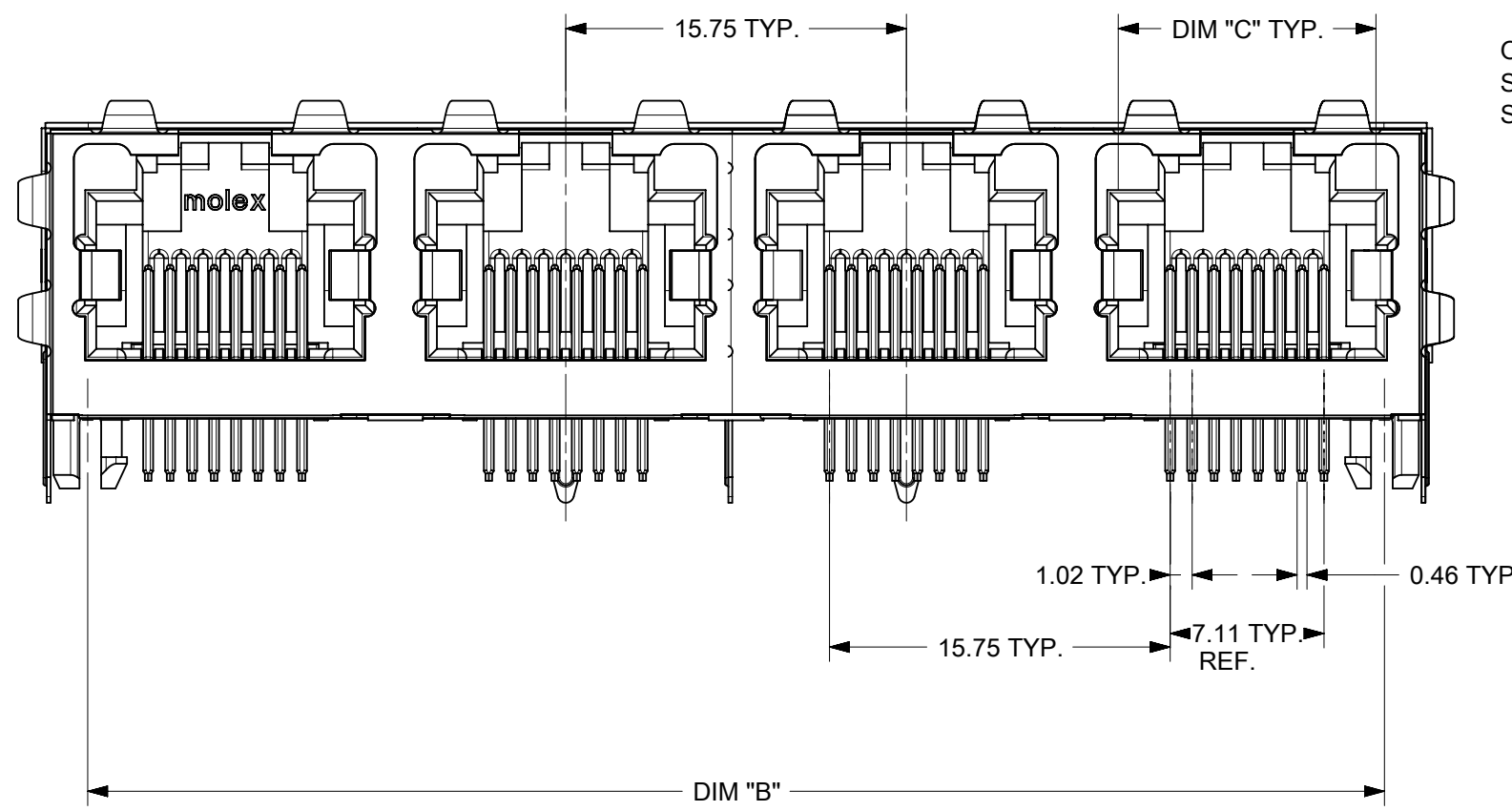
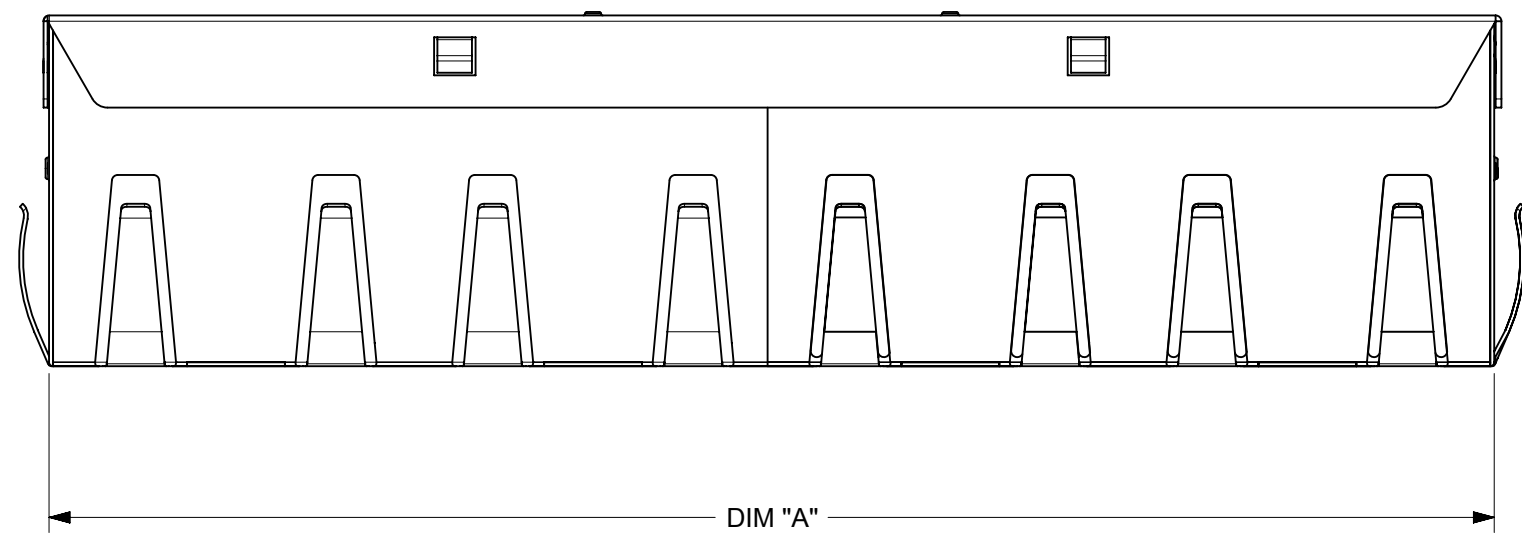
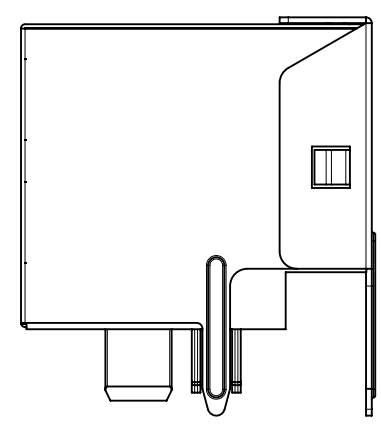
**PRESS-FIT PEG OPTION**

SCALE: NTS  
SEE NOTE 7

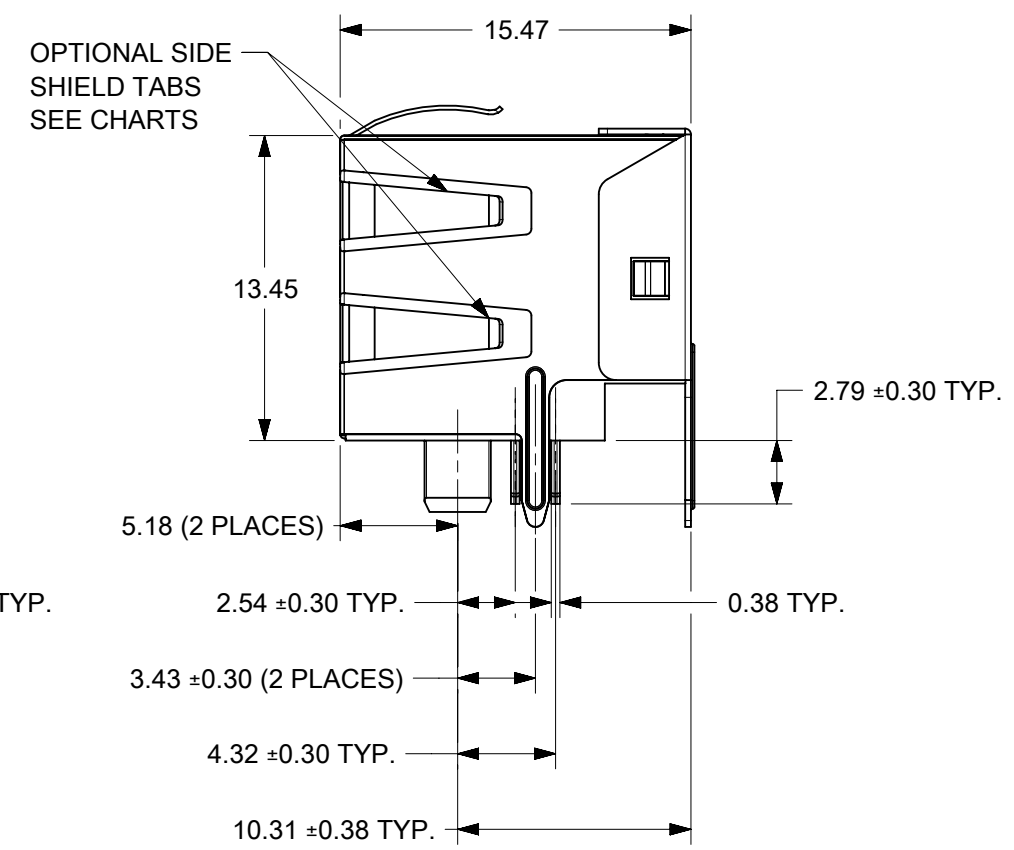
**SIDE SHIELD  
TAB OPTION A**



**SIDE SHIELD  
TAB OPTION B**



**SHIELDED**



**(8) CIRCUIT HOUSING(S)**

X = NOT TOOLED	ASSEMBLY MATERIAL NUMBER	NUMBER OF CIRCUITS	NUMBER OF PORTS	PEG STYLE	SIDE SHIELD TAB OPTION	DIM "A"	DIM "B"	DIM "C"
	44248-0085	8	2	SNAP-FIT	A	32.36	28.45	11.92
	44248-0086	8	4	SNAP-FIT	A	63.86	59.94	11.92
	44248-0089	8	2	PRESS-FIT	A	32.36	28.45	11.92
	44248-0090	8	4	PRESS-FIT	A	63.86	59.94	11.92
X	44248-0119	8	4	PRESS-FIT	B	63.86	59.94	11.92

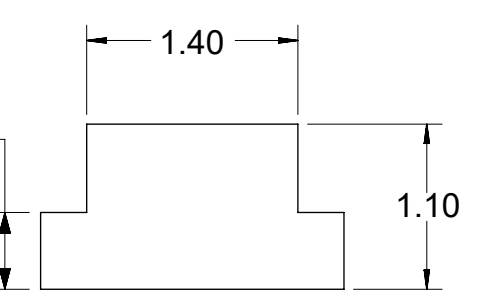
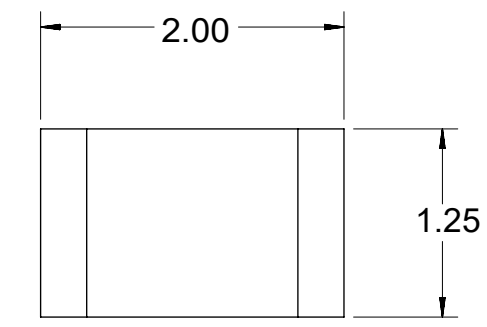
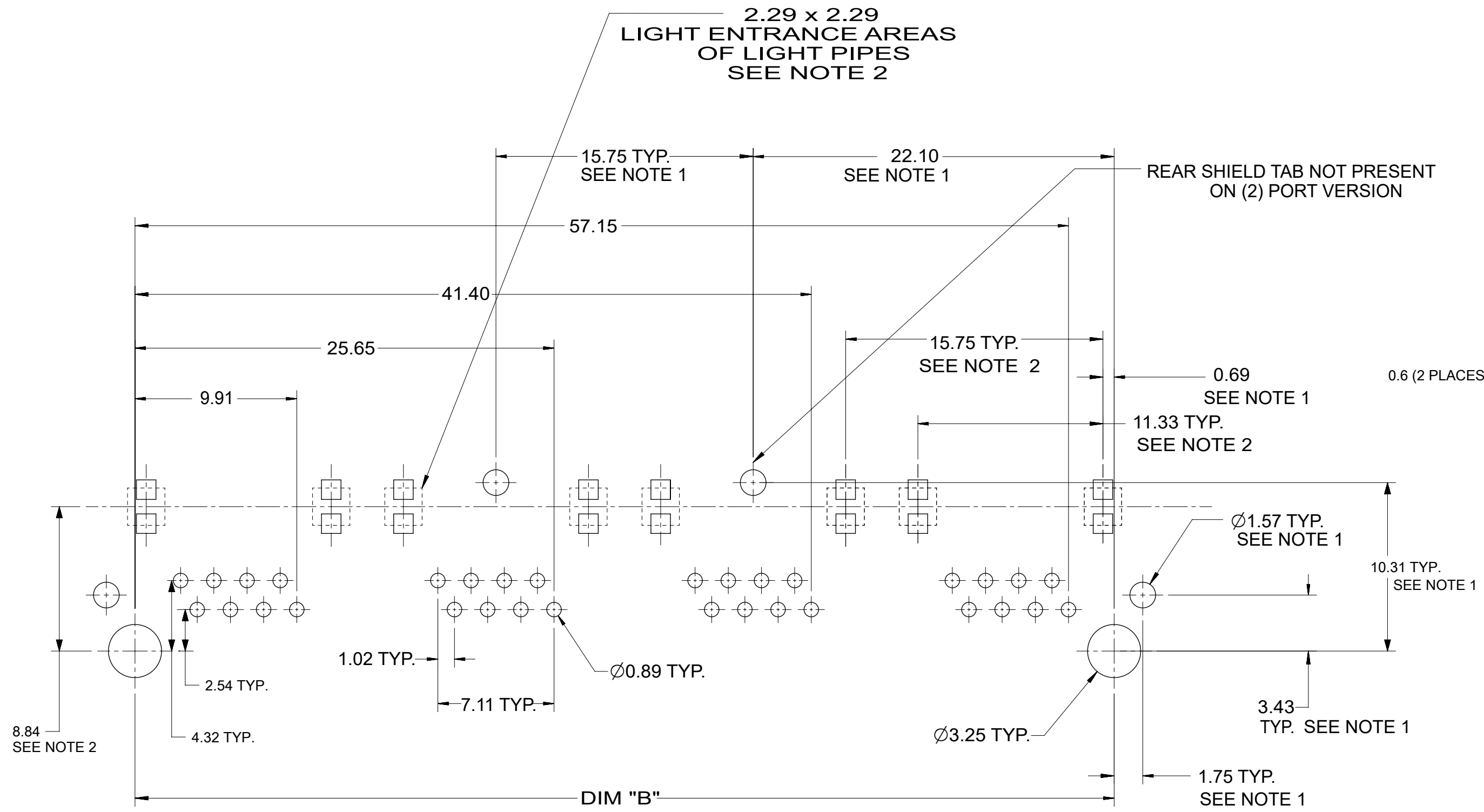
**6 CIRCUIT HOUSING(S)**

X = NOT TOOLED	ASSEMBLY MAT'L NUM	NUM OF CIRCUITS	NUM OF PORTS	PEG STYLE	SIDE SHIELD TAB OPTION	DIM "A"	DIM "B"	DIM "C"
	44248-0093	6	2	SNAP-FIT	A	32.36	28.45	9.88
X	44248-0094	4	2	SNAP-FIT	A	32.36	28.45	9.88
	44248-0095	6	4	SNAP-FIT	A	63.86	59.94	9.88
X	44248-0096	4	4	SNAP-FIT	A	63.86	59.94	9.88
	44248-0101	6	2	PRESS-FIT	A	32.36	28.45	9.88
X	44248-0102	4	2	PRESS-FIT	A	32.36	28.45	9.88
X	44248-0103	6	4	PRESS-FIT	A	63.86	59.94	9.88
X	44248-0104	4	4	PRESS-FIT	A	63.86	59.94	9.88

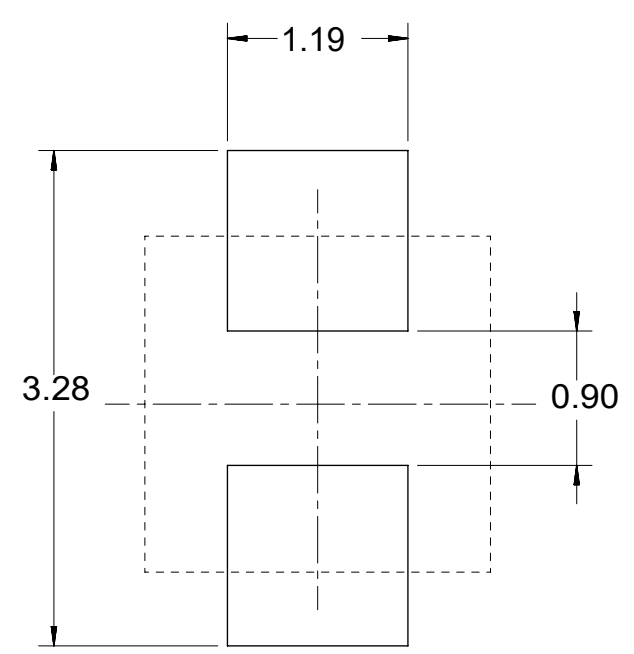
- NOTES:
- MATERIAL:  
HOUSING: POLYESTER(PBT), GLASS FILLED, UL94V-0, COLOR: BLACK  
TERMINALS: PHOSPHOR BRONZE  
SHIELD: BRASS
  - FINISH:  
TERMINALS:  
SELECT GOLD IN CONTACT AREA: 1.27 MICROMETERS MIN.,  
SELECT TIN IN PC TAIL AREA: 2.54 MICROMETERS MIN.,  
WITH OVERALL NICKEL UNDERPLATE: 1.27 MICROMETERS MIN.  
SHIELD:  
2.54 MICROMETERS NICKEL OVER 1.27 MICROMETERS  
COPPER UNDERPLATE PCB GROUND TABS DIPPED IN TIN
  - PRODUCT SPECIFICATION AND PROCESSING PARAMETERS: PS-43860-003.
  - PACKAGING SPECIFICATION:  
CONNECTOR ASSEMBLIES IN THERMOFORMED TRAYS PER MOLEX PACKAGING SPECIFICATION PK-44248-004.
  - ALL UNTOLERANCED DIMENSIONS ARE SHOWN FOR REFERENCE ONLY.
  - CONFORMS TO FCC REGULATION PART 68.5 FOR MODULAR JACKS.
  - MODJACKS AVAILABLE WITH EITHER SNAP-FIT OR PRESS-FIT PEGS.  
THIS DRAWING SHOWS SNAP-FIT PEGS.
  - PCB LAYOUT AND PANEL CUT-OUT SHOWN ON SHEETS (5) AND (6).
  - THIS PART CONFORMS TO CLASS B REQUIREMENTS OF COSMETIC SPECIFICATION PS-45499-002.

FUNCTIONAL SYMBOLS	THIS DRAWING CONTAINS INFORMATION THAT IS PROPRIETARY TO MOLEX ELECTRONIC TECHNOLOGIES, LLC AND SHOULD NOT BE USED WITHOUT WRITTEN PERMISSION		CURRENT REV DESC: MIGRATION.		
	DIMENSION UNITS	SCALE			
$\frac{F}{A} = 0$	mm	3:1			<b>GANGED INVERTED MODJACK ASSEMBLY</b>
$\frac{F}{C} = 0$	GENERAL TOLERANCES (UNLESS SPECIFIED)				
$\frac{F}{P} = 0$	ANGULAR TOL ± 0.5°				<b>PRODUCT CUSTOMER DRAWING</b>
DIVISIONAL SYMBOLS	4 PLACES ±		EC NO: 708533		
	3 PLACES ±		DRWN: FAYEW 2022/05/26		
	2 PLACES ± 0.25		CHK'D: KLANG 2022/06/29		
	1 PLACE ±		APPR: KLANG 2022/06/29		
	0 PLACES ±		INITIAL REVISION:		
	DRAFT WHERE APPLICABLE MUST REMAIN WITHIN DIMENSIONS		DRWN: FAYEW 2022/05/26		DOCUMENT NUMBER <b>442480001</b>
	THIRD ANGLE PROJECTION		APPR: KLANG 2022/06/29		
		DRAWING	SERIES	MATERIAL NUMBER	DOC TYPE   DOC PART   REVISION
		C-SIZE	44248	SEE CHART	PSD   000   C7
				CUSTOMER	SHEET NUMBER
				GENERAL MARKET	4 OF 6

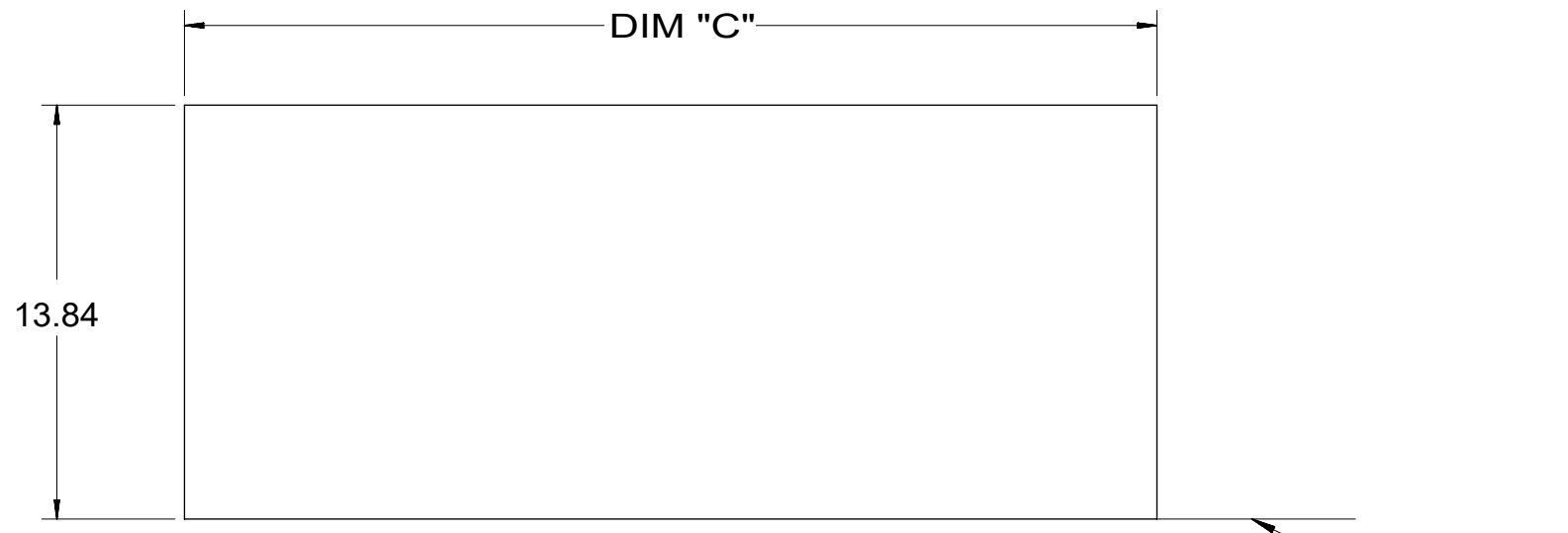
8 CIRCUIT PCB LAYOUT: COMPONENT SIDE  
 RECOMMENDED PCB THICKNESS: 1.57 mm  
 TOLERANCE ±0.076 UNLESS OTHERWISE SPECIFIED



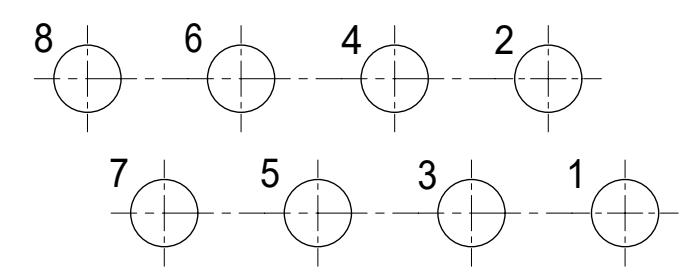
RECOMMENDED SMT LED DIMENSIONS  
 SCALE: NTS  
 (SEE NOTE 3)



RECOMMENDED SMT LED SOLDER PATTERN  
 SCALE: NTS



RECOMMENDED PANEL CUTOUT

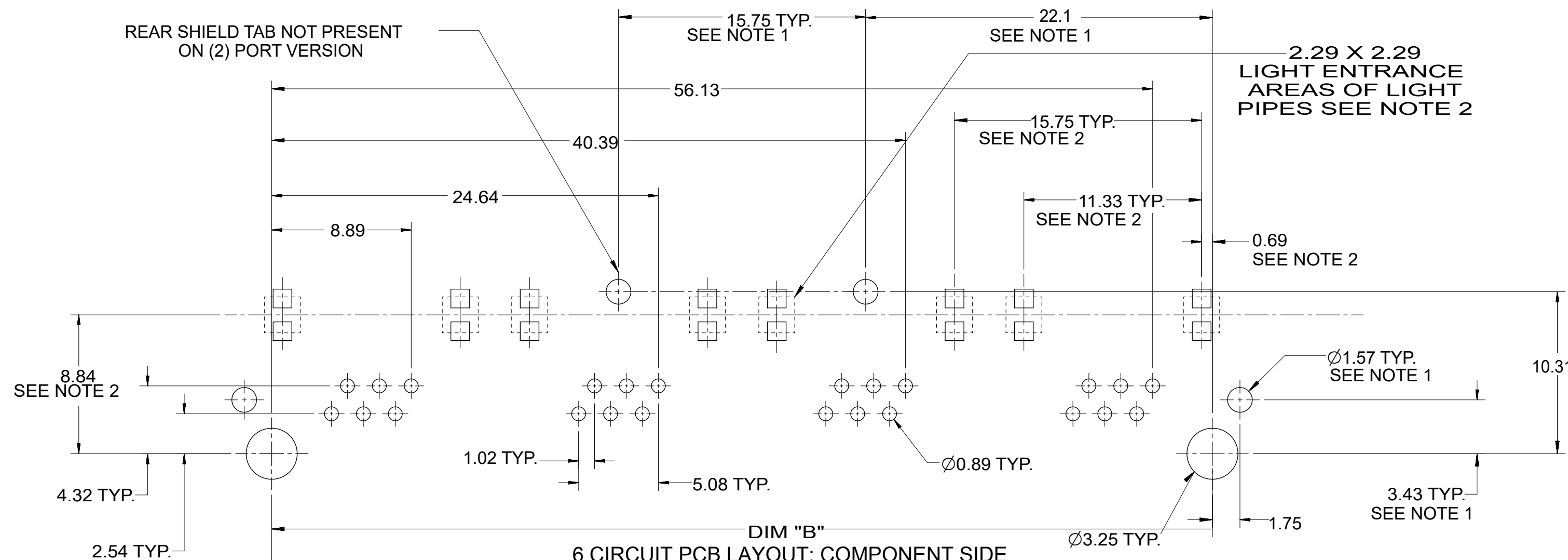


TYPICAL PC TERMINAL HOLE LAYOUT  
 (8) CIRCUIT CONFIGURATION  
 SCALE: 10:1

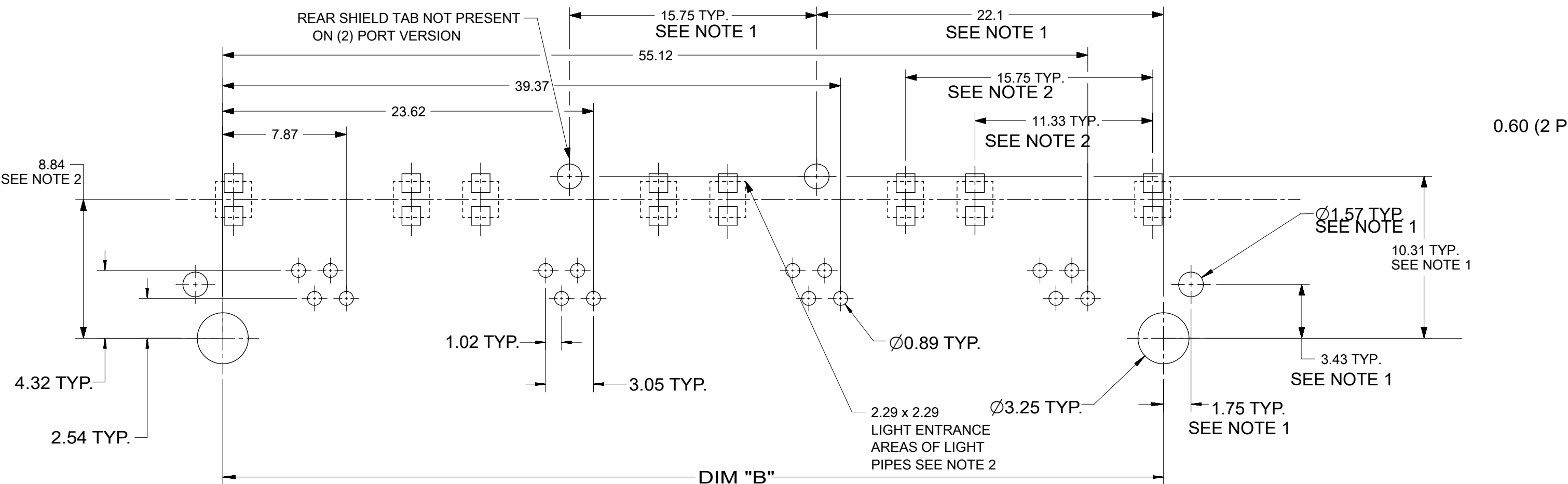
- NOTES:
- 1) DIMENSIONS MARKED "SEE NOTE 1" REFER TO ASSEMBLIES WITH THE SHIELDING OPTION INCLUDED
  - 2) DIMENSIONS MARKED "SEE NOTE 2" REFER TO ASSEMBLIES WITH THE LIGHT PIPE OPTION INCLUDED
  - 3) FOR CROSS REFERENCE OF RECOMMENDED LEDS SEE MOLEX WEB SITE.

NUMBER OF PORTS	DIM "B"	DIM "C"
2	28.45	32.51
4	59.94	64.01

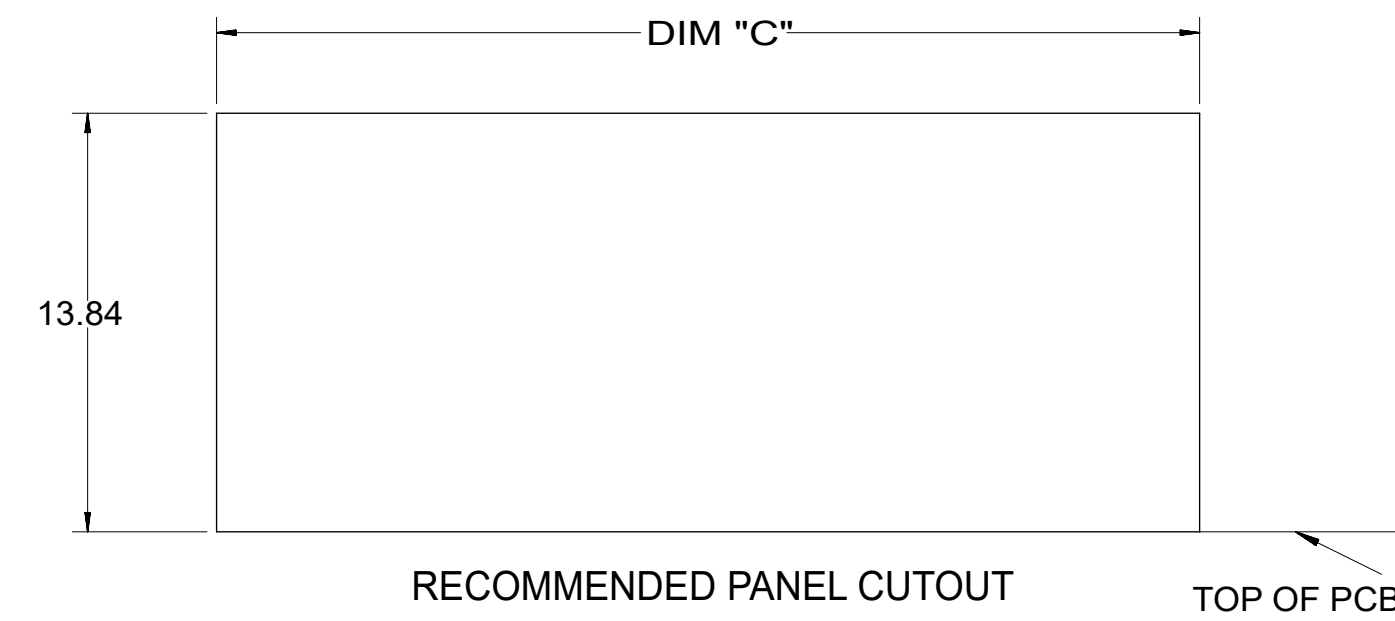
FUNCTIONAL SYMBOLS	THIS DRAWING CONTAINS INFORMATION THAT IS PROPRIETARY TO MOLEX ELECTRONIC TECHNOLOGIES, LLC AND SHOULD NOT BE USED WITHOUT WRITTEN PERMISSION		CURRENT REV DESC: MIGRATION.		
	DIMENSION UNITS	SCALE			
$\frac{F}{A} = 0$	mm	1:1			EC NO: 708533 DRWN: FAYEW 2022/05/26 CHK'D: KLANG 2022/06/29 APPR: KLANG 2022/06/29
$\frac{F}{C} = 0$	GENERAL TOLERANCES (UNLESS SPECIFIED)				
$\frac{F}{P} = 0$	ANGULAR TOL ± 0.5°				INITIAL REVISION: DRWN: FAYEW 2022/05/26 APPR: KLANG 2022/06/29
DIVISIONAL SYMBOLS	4 PLACES	±			
	3 PLACES	±			DOCUMENT NUMBER
	2 PLACES	± 0.25			442480001
	1 PLACE	±			DOC TYPE
	0 PLACES	±			PSD
	DRAFT WHERE APPLICABLE MUST REMAIN WITHIN DIMENSIONS		THIRD ANGLE PROJECTION	DRAWING	DOC PART
				C-SIZE	000
			SERIES	44248	REVISION
			MATERIAL NUMBER	SEE CHART	C7
			CUSTOMER	GENERAL MARKET	SHEET NUMBER
					5 OF 6



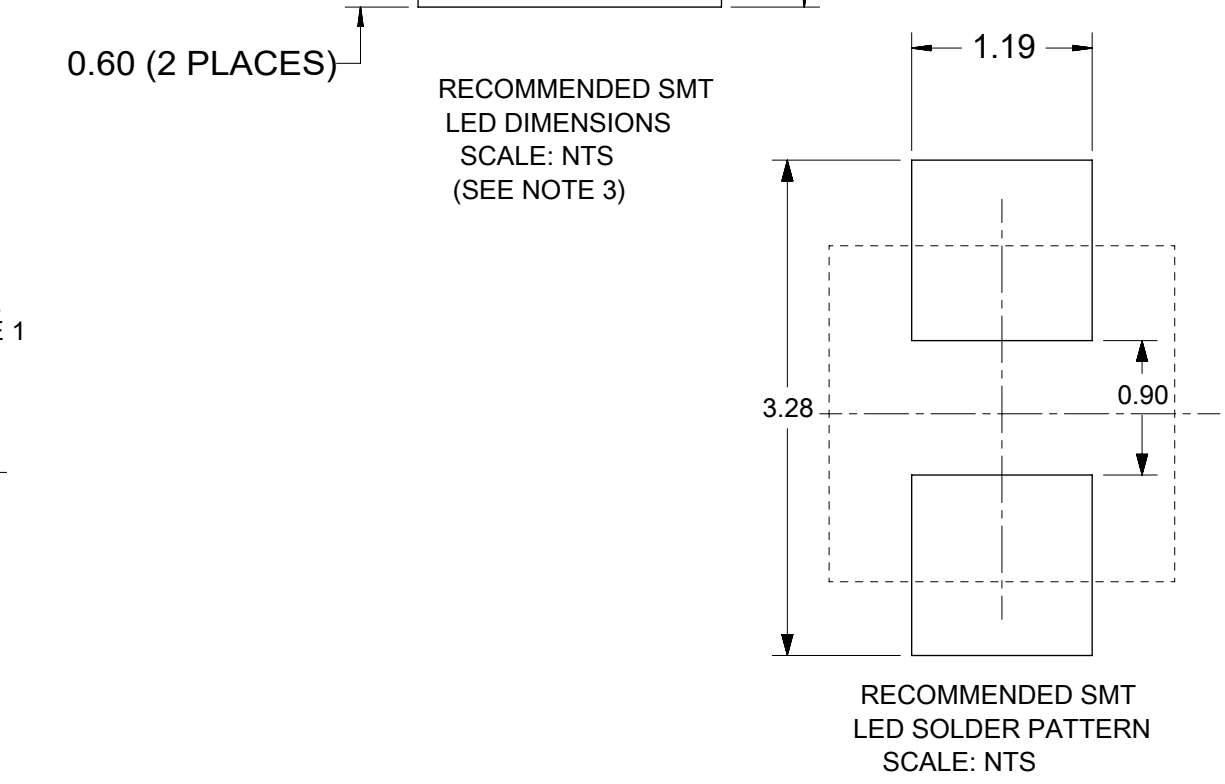
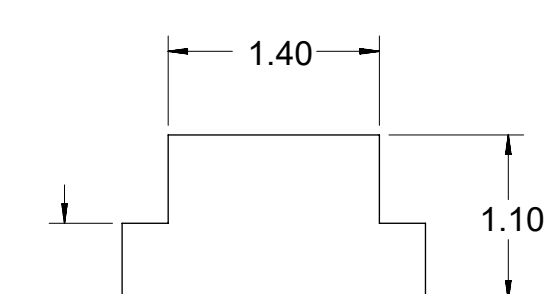
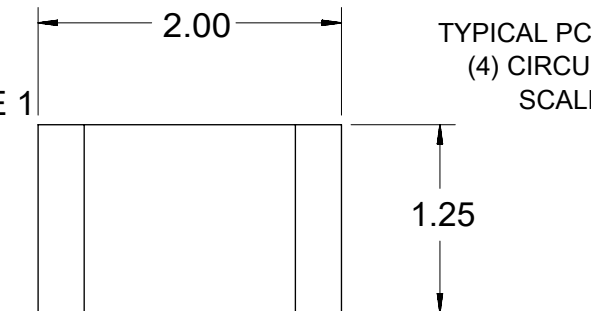
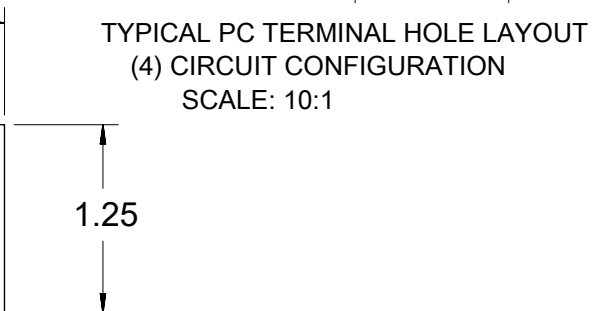
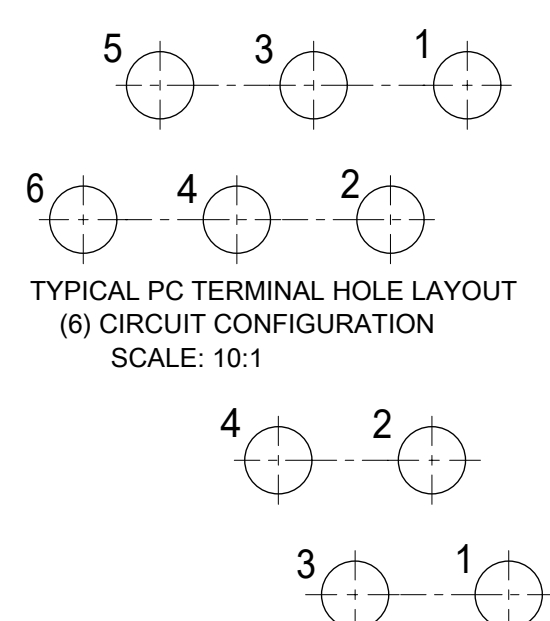
**6 CIRCUIT PCB LAYOUT: COMPONENT SIDE**  
 RECOMMENDED PCB THICKNESS: 1.57  
 TOLERANCE ±0.076 UNLESS OTHERWISE SPECIFIED



**4 CIRCUIT PCB LAYOUT: COMPONENT SIDE**  
 RECOMMENDED PCB THICKNESS: 1.57 mm  
 TOLERANCE ±0.076 UNLESS OTHERWISE SPECIFIED



**RECOMMENDED PANEL CUTOUT**



- NOTES:
- 1) DIMENSIONS MARKED "SEE NOTE 1" REFER TO ASSEMBLIES WITH SHIELDING OPTION INCLUDED
  - 2) DIMENSIONS MARKED "SEE NOTE 2" REFER TO ASSEMBLIES WITH THE LIGHT PIPE OPTION INCLUDED
  - 3) FOR CROSS REFERENCE OF RECOMMENDED LEDS SEE MOLEX WEB SITE.

NUMBER OF PORTS	DIM "B"	DIM "C"
2	28.45	32.51
4	59.94	64.01

FUNCTIONAL SYMBOLS		THIS DRAWING CONTAINS INFORMATION THAT IS PROPRIETARY TO MOLEX ELECTRONIC TECHNOLOGIES, LLC AND SHOULD NOT BE USED WITHOUT WRITTEN PERMISSION		CURRENT REV DESC: MIGRATION.			
$\frac{F}{A} = 0$	DIMENSION UNITS	SCALE	EC NO: 708533				
$\frac{F}{C} = 0$	mm	1:1	DRWN: FAYEW 2022/05/26			<b>GANGED INVERTED MODJACK ASSEMBLY</b>	
$\frac{F}{P} = 0$	GENERAL TOLERANCES (UNLESS SPECIFIED)		CHK'D: KLANG 2022/06/29				
DIVISIONAL SYMBOLS		ANGULAR TOL ± 0.5°	APPR: KLANG 2022/06/29			<b>PRODUCT CUSTOMER DRAWING</b>	
4 PLACES ±		INITIAL REVISION:					
3 PLACES ±		DRWN: FAYEW 2022/05/26			DOCUMENT NUMBER: <b>442480001</b>		
2 PLACES ± 0.25		APPR: KLANG 2022/06/29					
1 PLACE ±		DRAFT WHERE APPLICABLE MUST REMAIN WITHIN DIMENSIONS			DOC TYPE: PSD DOC PART: 000 REVISION: C7		
0 PLACES ±		THIRD ANGLE PROJECTION					
DRAWING		SERIES		MATERIAL NUMBER		CUSTOMER	
C-SIZE		44248		SEE CHART		GENERAL MARKET	
SHEET NUMBER		6 OF 6					