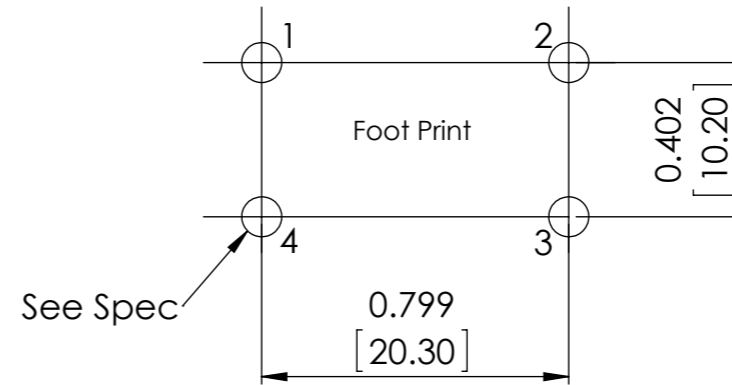
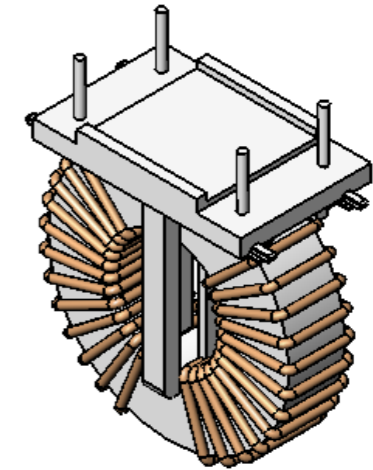
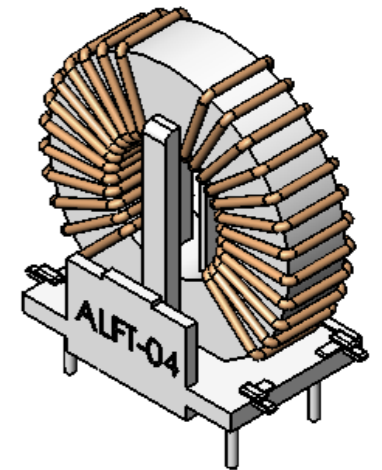
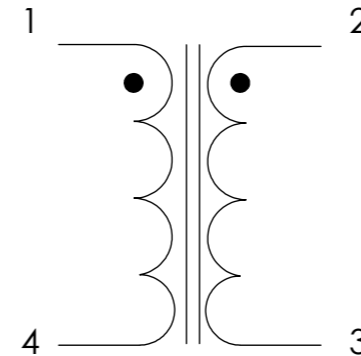



Recommended Land Pattern



SCHEMATICS:



Part Name	UL file Number
Magnet Wire	E234565
Epoxy	E218090
Epoxy	E105888
Base	E59481(S)

UNLESS OTHERWISE SPECIFIED: DIMENSIONS ARE IN INCH(MM) SURFACE FINISH: TOLERANCES: LINEAR: ANGULAR:				FINISH:		DEBUR AND BREAK SHARP EDGES		DO NOT SCALE DRAWING		REVISION -	
DRAWN SAAZVAT				SIGNATURE		DATE		 <p>30332 Esperanza, Rancho Santa margarita, California 92688</p> <p>TITLE: Line Filter</p> <p>DWG NO. ALFT-04</p> <p>SCALE: 2:1</p> <p>SHEET 1 OF 1</p>			
CHK'D XXXXXX											
APPV'D											
MFG											
Q.A											
				MATERIAL:				A3			
				WEIGHT:							