

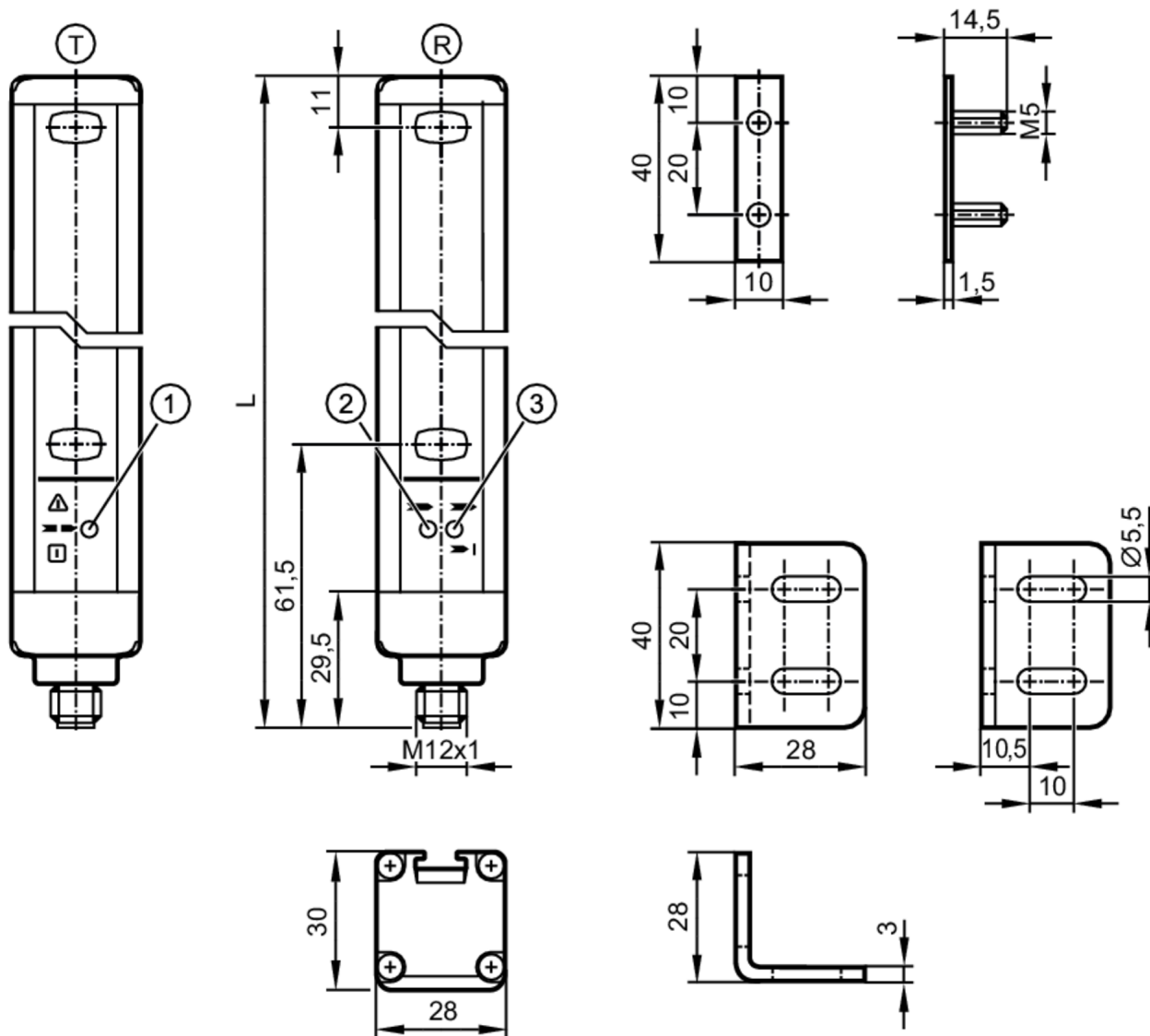
OY050S



Safety light curtain

OYA1510-30-4-12-P-1

For 8-pole sockets the core colours are not standardised.
Please note the wiring of the sensor and the sockets (see data sheet).



- T transmitter
- R receiver
- 1 LED three-colour red / green / orange
- 2 LED yellow
- 3 LED 2-colour red/green



Product characteristics

| | |
|-------------------|----------------|
| Type of light | infrared light |
| Electrical design | PNP |
| Protection | IP 65; IP 67 |

Application

| | |
|---------------------|-----------------------------------|
| Protective function | access prevention hand protection |
|---------------------|-----------------------------------|



Safety light curtain

OYA1510-30-4-12-P-1

| Electrical data | | |
|--|-------|--|
| Operating voltage tolerance | [%] | 20 |
| Operating voltage | [V] | 24 DC |
| Protection class | | III |
| Reverse polarity protection | | yes |
| Power-on delay time | [s] | < 2 |
| Type of light | | infrared light |
| Wave length | [nm] | 950 |
| Receiver | | |
| Current consumption | [mA] | 83 |
| Transmitter | | |
| Current consumption | [mA] | 42 |
| Outputs | | |
| Electrical design | | PNP |
| Number of OSSD outputs | | 2 |
| Max. current load per OSSD output | [mA] | 400; (24 V) |
| Short-circuit protection | | yes |
| Detection zone | | |
| Protected area height | [mm] | 1510 |
| Resolution (detection capacity d) | [mm] | 30 |
| Protection area width (low light intensity) | [m] | 0...4 |
| Protection area width (high light intensity) | [m] | 3...12 |
| Response times | | |
| Response time | [ms] | 18.5 |
| Operating conditions | | |
| Applications | | class C to EN 60654-1 weatherproof application |
| Ambient temperature | [°C] | -10...55 |
| Storage temperature | [°C] | -20...70 |
| Max. relative air humidity | [%] | 95 |
| Protection | | IP 65; IP 67 |
| Tests / approvals | | |
| EMC | | IEC 61496-1 |
| Shock resistance | | IEC 61496-1 |
| Vibration resistance | | IEC 61496-1 |
| Safety classification | | |
| ESPE type (IEC 61496-1) | | 4 |
| Complies with the requirements | | ISO 13849-1: 2015 category 4, PL e |
| | | IEC 61508 SIL 3 |
| | | IEC 62061 SIL 3 |
| Mission time TM | [h] | 175200 |
| PFH | [1/h] | 1,8E-08 |

OY050S



Safety light curtain

OYA1510-30-4-12-P-1

| Mechanical data | | |
|-----------------|------|------------------------------------|
| Weight | [g] | 4970 |
| Dimensions | [mm] | 1563 x 28 x 30 |
| Materials | | housing: aluminium; front pane: PC |
| Length L | [mm] | 1563 |

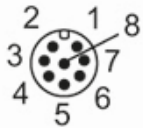
| Displays / operating elements | | |
|-------------------------------|-------------|---------|
| Display | transmitter | 1 x LED |
| | receiver | 2 x LED |

| Accessories | | |
|----------------|--|---------------------|
| Items supplied | | mounting bracket: 6 |
| | | slot nuts: 6 |
| | | Nuts |

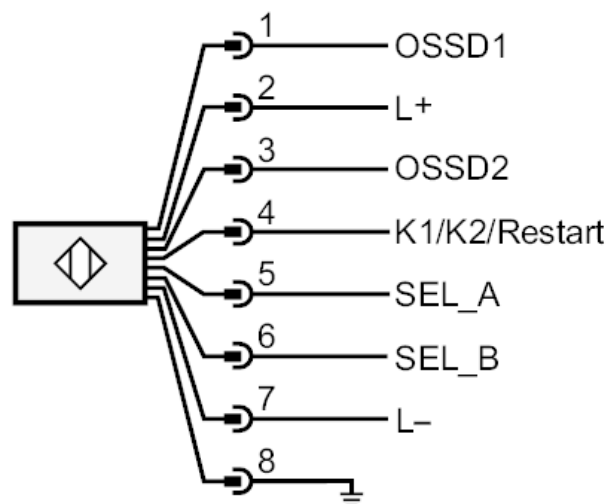
| Remarks | | |
|---------------|--|--------|
| Pack quantity | | 1 pcs. |

Electrical connection - receiver

Connector: 1 x M12; coding: A; Maximum cable length: 100 m; for wire cross-section 0.34 mm²



Connection



OY050S

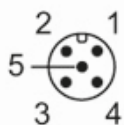


Safety light curtain

OYA1510-30-4-12-P-1

Electrical connection - transmitter

Connector: 1 x M12; coding: A



Connection

