

NCP1851, NCP1851A

Fully Integrated Li-Ion Switching Battery Charger with Power Path Management and USB On-The-Go Support

The NCP1851 is a fully programmable single cell Lithium-ion switching battery charger optimized for charging from a USB compliant input supply and AC adaptor power source. The device integrates a synchronous PWM controller, power MOSFETs, and the entire charge cycle monitoring including safety features under software supervision. An optional battery FET can be placed between the system and the battery in order to isolate and supply the system. The NCP1851 junction temperature and battery temperature are monitored during charge cycle, and both current and voltage can be modified accordingly through I²C setting. The charger activity and status are reported through a dedicated pin to the system. The input pin is protected against overvoltages.

The NCP1851 also provides USB OTG support by boosting the battery voltage as well as providing overvoltage protected power supply for USB transceiver.

Features

- 1.6 A Buck Converter with Integrated Pass Devices
- Input Current Limiting to Comply to USB Standard
- Automatic Charge Current for AC Adaptor Charging
- High Accuracy Voltage and Current Regulation
- Input Overvoltage Protection up to +28 V
- Factory Mode
- 500 mA Boosted Supply for USB OTG Peripherals
- Reverse Leakage Protection Prevents Battery Discharge
- Protected USB Transceiver Supply Switch
- Dynamic Power Path with Optional Battery FET
- Battery Temperature Sensing for Safe Operation (JEITA)
- Silicon Temperature Supervision for Optimized Charge Cycle
- Safety Timers
- Flag Output for Charge Status and Interrupts
- I²C Control Bus up to 3.4 MHz
- Small Footprint 2.2 x 2.55 mm CSP Package
- These Devices are Pb-Free and are RoHS Compliant

Applications

- Smart Phone
- Handheld Devices
- Tablets
- PDAs



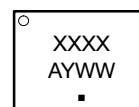
ON Semiconductor®

<http://onsemi.com>



25 BUMP
FLIP-CHIP
CASE 499BN

MARKING DIAGRAM



XXXX = Specific Device Code
A = Assembly Location
Y = Year
WW = Work Week
G or ■ = Pb-Free Package

*Pb-Free indicator, "G" or microdot "■", may or may not be present.

ORDERING INFORMATION

See detailed ordering and shipping information in the package dimensions section on page 30 of this data sheet.

NCP1851, NCP1851A

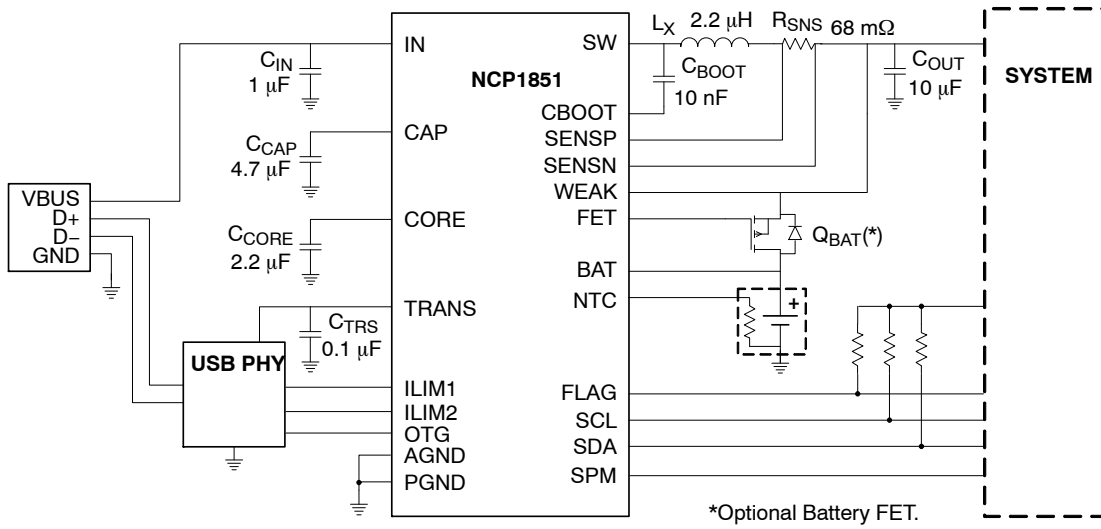
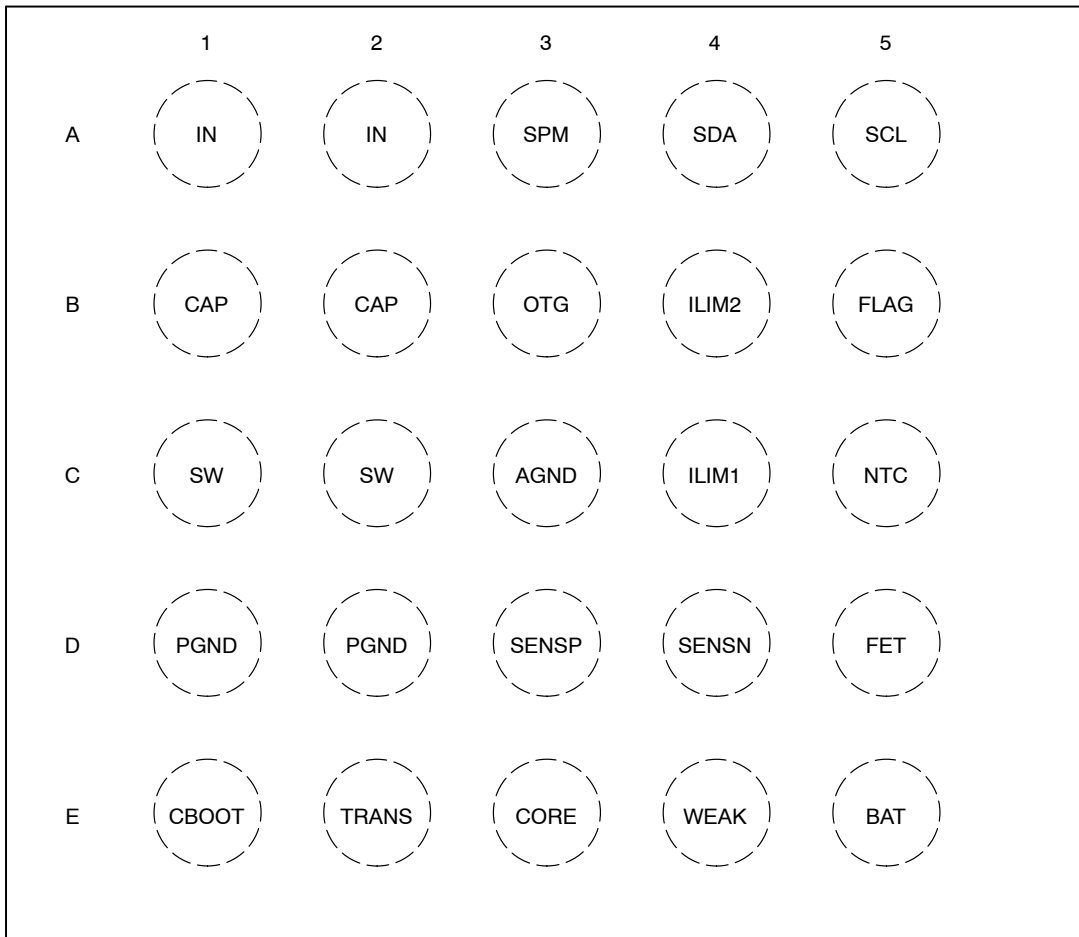


Figure 1. Typical Application Circuit

PIN CONNECTIONS



(Top View)

Figure 2. Package Outline CSP

NCP1851, NCP1851A

Table 1. PIN FUNCTION DESCRIPTION

| Pin | Name | Type | Description |
|-----|-------|-----------------------|---|
| A1 | IN | POWER | Battery Charger Input. These two pins must be decoupled by at least 1 μ F capacitor and connected together. |
| A2 | IN | POWER | |
| A3 | SPM | DIGITAL INPUT | System Power Monitor input. |
| A4 | SDA | DIGITAL BIDIRECTIONAL | I ² C data line |
| A5 | SCL | DIGITAL INPUT | I ² C clock line |
| B1 | CAP | POWER | CAP pin is the intermediate power supply input for all internal circuitry. Bypass with at least 4.7 μ F capacitor. Must be tied together. |
| B2 | CAP | POWER | |
| B3 | OTG | DIGITAL INPUT | Enables OTG boost mode. OTG = 0, the boost is powered OFF OTG = 1 turns boost converter ON |
| B4 | ILIM2 | DIGITAL INPUT | Automatic charge current / Input current limiter level selection (can be defeated by I ² C). |
| B5 | FLAG | OPEN DRAIN OUTPUT | Charging state active low. This is an open drain pin that can either drive a status LED or connect to interrupt pin of the system. |
| C1 | SW | ANALOG OUTPUT | Connection from power MOSFET to the Inductor. These pins must be connected together. |
| C2 | SW | ANALOG OUTPUT | |
| C3 | AGND | ANALOG GROUND | Analog ground / reference. This pin should be connected to the ground plane and must be connected together. |
| C4 | ILIM1 | DIGITAL INPUT | Input current limiter level selection (can be defeated by I ² C). |
| C5 | NTC | ANALOG INPUT | Input for the battery NTC (10 K Ω / B = 3900) or (4.7 K Ω / B = 3900) If not used, this pin must be tied to GND to configure the NCP1851 and warn that NTC is not used. |
| D1 | PGND | POWER GND | Power ground. These pins should be connected to the ground plane and must be connected together. |
| D2 | PGND | POWER GND | |
| D3 | SENSP | ANALOG INPUT | Current sense input. This pin is the positive current sense input. It should be connected to the R _{SENSE} resistor positive terminal. |
| D4 | SENSN | ANALOG INPUT | Current sense input. This pin is the negative current sense input. It should be connected to the R _{SENSE} resistor negative terminal. This pin is also voltage sense input of the voltage regulation loop when the FET is present and open. |
| D5 | FET | ANALOG OUTPUT | Battery FET driver output. When not used, this pin must be directly tied to ground. |
| E1 | CBOOT | ANALOG IN/OUT | Floating Bootstrap connection. A 10 nF capacitor must be connected between CBOOT and SW. |
| E2 | TRANS | ANALOG OUTPUT | Output supply to USB transceiver. This pin can source a maximum of 50 mA to the external USB PHY or any other IC that needs +5 V USB. This pin is Overvoltage protected and will never be higher than 5.5 V. This pin should be bypassed by a 100 nF ceramic capacitor. |
| E3 | CORE | ANALOG OUTPUT | 5 V reference voltage of the IC. This pin should be bypassed by a 2.2 μ F capacitor. No load must be connected to this pin. |
| E4 | WEAK | ANALOG OUTPUT | Weak battery charging current source input. |
| E5 | BAT | ANALOG INPUT | Battery connection |

NCP1851, NCP1851A

Table 2. MAXIMUM RATINGS

| Rating | Symbol | Value | Unit |
|---|----------------------|------------------------|---------|
| IN (Note 1) | V_{IN} | -0.3 to +28 | V |
| CAP (Note 1) | V_{CAP} | -0.3 to +28 | V |
| Power balls: SW (Note 1) | V_{SW} | -0.3 to +24 | V |
| CBOOT (Note 1) | V_{CBOOT} | -0.3 to $V_{SW} + 7.0$ | V |
| Sense/Control balls: SENSP, SENSN, VBAT, FET, TRANS, CORE, NTC, FLAG and WEAK. (Note 1) | V_{CTRL} | -0.3 to +7.0 | V |
| Digital Input: SCL, SDA, SPM, OTG, ILIM1 and ILIM2 (Note 1) Input Voltage Input Current | V_{DG} I_{DG} | -0.3 to +7.0 V 20 | V mA |
| Storage Temperature Range | T_{STG} | -65 to +150 | °C |
| Maximum Junction Temperature (Note 2) | T_J | -40 to +TSD | °C |
| Moisture Sensitivity (Note 3) | MSL | Level 1 | |

Stresses exceeding Maximum Ratings may damage the device. Maximum Ratings are stress ratings only. Functional operation above the Recommended Operating Conditions is not implied. Extended exposure to stresses above the Recommended Operating Conditions may affect device reliability.

Table 3. OPERATING CONDITIONS

| Symbol | Parameter | Conditions | Min | Typ | Max | Unit |
|-----------------|------------------------------------|-----------------|-----|-----|------------|------|
| V_{IN} | Operational Power Supply | | 3 | | V_{INOV} | V |
| V_{DG} | Digital input voltage level | | 0 | | 5.5 | V |
| T_A | Ambient Temperature Range | | -40 | 25 | +85 | °C |
| I_{SINK} | FLAG sink current | | | | 10 | mA |
| C_{IN} | Decoupling input capacitor | | | 1 | | μF |
| C_{CAP} | Decoupling Switcher capacitor | | | 4.7 | | μF |
| C_{CORE} | Decoupling core supply capacitor | | | 2.2 | | μF |
| C_{OUT} | Decoupling system capacitor | | | 10 | | μF |
| L_X | Switcher Inductor | | | 2.2 | | μH |
| R_{SNS} | Current sense resistor | | | 68 | | mΩ |
| $R_{\theta JA}$ | Thermal Resistance Junction to Air | (Notes 2 and 4) | | 60 | | °C/W |
| T_J | Junction Temperature Range | | -40 | 25 | +125 | °C |

1. According to JEDEC standard JESD22-A108.
2. A thermal shutdown protection avoids irreversible damage on the device due to power dissipation. See Electrical Characteristics.
3. Moisture Sensitivity Level (MSL): 1 per IPC/JEDEC standard: J-STD-020.
4. The $R_{\theta JA}$ is dependent on the PCB heat dissipation. Board used to drive this data was a 2s2p JEDEC PCB standard.

NCP1851, NCP1851A

Table 4. ELECTRICAL CHARACTERISTICS

Min & Max Limits apply for T_A between -40°C to $+85^{\circ}\text{C}$ and T_J up to $+125^{\circ}\text{C}$ for V_{IN} between 3.6 V to 7 V (Unless otherwise noted). Typical values are referenced to $T_A = +25^{\circ}\text{C}$ and $V_{IN} = 5\text{ V}$ (Unless otherwise noted).

| Symbol | Parameter | Conditions | Min | Typ | Max | Unit | |
|--|---------------------------------------|---|------------------------------|------|------|------------------|----|
| INPUT VOLTAGE | | | | | | | |
| V_{INDET} | Valid input detection threshold | V_{IN} rising | 3.55 | 3.6 | 3.65 | V | |
| | | V_{IN} falling | 2.95 | 3.0 | 3.05 | V | |
| V_{BUSUV} | USB under voltage detection | V_{IN} falling | 4.3 | 4.4 | 4.5 | V | |
| | | Hysteresis | 50 | 100 | 150 | mV | |
| V_{BUSOV} | USB over voltage detection | V_{IN} rising | 5.55 | 5.65 | 5.75 | V | |
| | | Hysteresis | 25 | 75 | 125 | mV | |
| V_{INOV} | Valid input high threshold | V_{IN} rising | 7.1 | 7.2 | 7.3 | V | |
| | | Hysteresis | 200 | 300 | 400 | mV | |
| INPUT CURRENT LIMITING | | | | | | | |
| I_{INLIM} | Input current limit | $V_{IN} = 5\text{ V}$ | I_{INLIM} set to 100 mA | 70 | 85 | 100 | mA |
| | | | I_{INLIM} set to 500 mA | 425 | 460 | 500 | mA |
| | | | I_{INLIM} set to 900 mA | 800 | 850 | 900 | mA |
| | | | I_{INLIM} set to 1500 mA | 1.4 | 1.45 | 1.5 | A |
| INPUT SUPPLY CURRENT | | | | | | | |
| I_{Q_SW} | VBUS supply current | No load, Charger active state | | 15 | | mA | |
| I_{OFF} | | Charger not active, NTC disable | | 500 | | μA | |
| CHARGER DETECTION | | | | | | | |
| V_{CHGDET} | Charger detection threshold voltage | $V_{IN} - V_{SENSN}$, V_{IN} rising | 40 | 100 | 150 | mV | |
| | | $V_{IN} - V_{SENSN}$, V_{IN} falling | 20 | 30 | 50 | mV | |
| REVERSE BLOCKING CURRENT | | | | | | | |
| I_{LEAK} | V_{BAT} leakage current | Battery leakage, $V_{BAT} = 4.2\text{ V}$, $V_{IN} = 0\text{ V}$, $SDA = SCL = 0\text{ V}$ | | 5 | | μA | |
| R_{RBFET} | Input RBFET On resistance (Q1) | Charger active state, Measured between IN and CAP, $V_{IN} = 5\text{ V}$ | – | 100 | 200 | $\text{m}\Omega$ | |
| BATTERY AND SYSTEM VOLTAGE REGULATION | | | | | | | |
| V_{CHG} | Output voltage range | Programmable by I ² C | 3.3 | | 4.5 | V | |
| | | Default value | | 3.6 | | V | |
| | Voltage regulation accuracy | Constant voltage mode, $T_A = 25^{\circ}\text{C}$ | –0.5 | | 0.5 | % | |
| | | | –1 | | 1 | % | |
| | I2C Programmable granularity | | | 25 | | mV | |
| BATTERY VOLTAGE THRESHOLD | | | | | | | |
| V_{SAFE} | Safe charge threshold voltage | V_{BAT} rising | 2.1 | 2.15 | 2.2 | V | |
| V_{PRE} | Conditioning charge threshold voltage | V_{BAT} rising | 2.75 | 2.8 | 2.85 | V | |
| V_{FET} | End of weak charge threshold voltage | V_{BAT} rising | Voltage range | 3.1 | | 3.6 | V |
| | | | Default value | | 3.4 | | |
| | | | Accuracy | –2 | | 2 | % |
| | | | I2C Programmable granularity | | 100 | | mV |
| V_{RECHG} | Recharge threshold voltage | Relative to V_{CHG} setting register | | 97 | | % | |

NCP1851, NCP1851A

Table 4. ELECTRICAL CHARACTERISTICS

Min & Max Limits apply for T_A between -40°C to $+85^{\circ}\text{C}$ and T_J up to $+125^{\circ}\text{C}$ for V_{IN} between 3.6 V to 7 V (Unless otherwise noted). Typical values are referenced to $T_A = +25^{\circ}\text{C}$ and $V_{IN} = 5\text{ V}$ (Unless otherwise noted).

| Symbol | Parameter | Conditions | Min | Typ | Max | Unit | |
|--|---|---|---|------|------|--------------------|----|
| BATTERY VOLTAGE THRESHOLD | | | | | | | |
| V_{BUCKOV} | Overvoltage threshold voltage | V_{BAT} rising, relative to V_{CHG} setting register, measured on SENSN or SENSP, Q_{BAT} close or no Q_{BAT} | | 115 | | % | |
| | | Q_{BAT} open. | | 5 | | V | |
| CHARGE CURRENT REGULATION | | | | | | | |
| I_{CHG} | Charge current range | Programmable by I ² C | 400 | | 1600 | mA | |
| | | Default value | 950 | 1000 | 1050 | mA | |
| | Charge current accuracy | | -50 | | 50 | mA | |
| | I ² C Programmable granularity | | | 100 | | mA | |
| I_{PRE} | Pre-charge current | $V_{BAT} < V_{PRE}$ | 80 | 100 | 120 | mA | |
| I_{SAFE} | Safe charge current | $V_{BAT} < V_{SAFE}$ | 8 | 10 | 12 | mA | |
| I_{WEAK} | Weak battery charge current | BATFET present, $V_{SAFE} < V_{BAT} < V_{FET}$ | $I_{WEAK}[1:0] = 01$ | 80 | 100 | 120 | mA |
| | | | $I_{WEAK}[1:0] = 10$ | 180 | 200 | 220 | |
| | | | $I_{WEAK}[1:0] = 11$ | 270 | 300 | 330 | |
| CHARGE TERMINATION | | | | | | | |
| I_{EOC} | Charge current termination | $V_{BAT} \geq V_{RECHG}$ | Current range | 100 | | 275 | mA |
| | | | Default value | | 150 | | |
| | | | Accuracy, $I_{EOC} < 200\text{ mA}$ | -25 | | 25 | |
| | | | I ² C Programmable granularity | | 25 | | |
| FLAG | | | | | | | |
| V_{FOL} | FLAG output low voltage | $I_{FLAG} = 10\text{ mA}$ | | | 0.5 | V | |
| I_{FLEAK} | Off-state leakage | $V_{FLAG} = 5\text{ V}$ | | | 1 | μA | |
| T_{FLGON} | Interrupt request pulse duration | Single event | 150 | 200 | 250 | μs | |
| DIGITAL INPUT (V_{DG}) | | | | | | | |
| V_{IH} | High-level input voltage | | 1.2 | | | V | |
| V_{IL} | Low-level input voltage | | | | 0.4 | V | |
| R_{DG} | Pull down resistor | | | 500 | | k Ω | |
| I_{DLEAKK} | Input current | $V_{DG} = 0\text{ V}$ | -0.5 | | 0.5 | μA | |
| I²C | | | | | | | |
| V_{SYSUV} | CAP pin supply voltage | I ² C registers available | 2.5 | | | V | |
| $V_{I^2CINT}^*$ | High level at SCL/SCA line | | 1.7 | | 5 | V | |
| V_{I^2CIL} | SCL, SDA low input voltage | | | | 0.4 | V | |
| V_{I^2CIH} | SCL, SDA high input voltage | | 0.8* | | | V | |
| V_{I^2COL} | SCL, SDA low output voltage | $I_{SINK} = 3\text{ mA}$ | | | 0.3 | V | |
| F_{SCL} | I ² C clock frequency | | | | 3.4 | MHz | |
| JUNCTION THERMAL MANAGEMENT | | | | | | | |
| T_{SD} | Thermal shutdown | Rising | 125 | 140 | 150 | $^{\circ}\text{C}$ | |
| | | Falling | | 115 | | $^{\circ}\text{C}$ | |
| T_{H2} | Hot temp threshold 2 | Relative to T_{SD} | | -7 | | $^{\circ}\text{C}$ | |

NCP1851, NCP1851A

Table 4. ELECTRICAL CHARACTERISTICS

Min & Max Limits apply for T_A between -40°C to $+85^{\circ}\text{C}$ and T_J up to $+125^{\circ}\text{C}$ for V_{IN} between 3.6 V to 7 V (Unless otherwise noted). Typical values are referenced to $T_A = +25^{\circ}\text{C}$ and $V_{IN} = 5\text{ V}$ (Unless otherwise noted).

| Symbol | Parameter | Conditions | Min | Typ | Max | Unit |
|--------|-----------|------------|-----|-----|-----|------|
|--------|-----------|------------|-----|-----|-----|------|

JUNCTION THERMAL MANAGEMENT

| | | | | | | |
|------------|----------------------|----------------------|--|-----|--|--------------------|
| T_{H1} | Hot temp threshold 1 | Relative to T_{SD} | | -11 | | $^{\circ}\text{C}$ |
| T_{WARN} | Thermal warning | Relative to T_{SD} | | -15 | | $^{\circ}\text{C}$ |

BATTERY THERMAL MANAGEMENT

| | | | | | | |
|--------------|--|-------------------|-------|------------------|------|------------|
| V_{NTCRMV} | Battery removed threshold voltage | V_{NTC} Rising | 2.3 | 2.325 | 2.35 | V |
| V_{COLD} | Battery cold temperature corresponding voltage threshold | Voltage range | 1.425 | | 1.95 | V |
| | | Default | 1.7 | 1.725 | 1.75 | V |
| V_{HOT} | Battery hot temperature corresponding voltage threshold | Voltage range | 375 | | 900 | mV |
| | | Default | 500 | 525 | 550 | mV |
| | V_{COLD} and V_{HOT} voltage granularity | | | 75 | | mV |
| V_{WARM} | Battery warm temperature corresponding voltage threshold | BATWARM = 0 | | $V_{HOT+0.15}$ | | V |
| | | BATWARM = 1 | | $V_{HOT+0.225}$ | | V |
| V_{CHILLY} | Battery chilly temperature corresponding voltage threshold | BATCHILLY = 0 | | $V_{COLD-0.15}$ | | V |
| | | BATCHILLY = 1 | | $V_{COLD-0.225}$ | | V |
| V_{NTCDIS} | NTC disable corresponding voltage threshold | V_{NTC} Falling | 50 | 75 | 100 | mV |
| V_{REG} | Internal voltage reference | | 2.35 | 2.4 | 2.45 | V |
| R_{NTCPU} | Internal resistor pull up | | 9.8 | 10 | 10.2 | k Ω |

BUCK CONVERTER

| | | | | | | |
|-------------|---------------------------------------|---|-----|------|-----|------------|
| F_{SWCHG} | Switching Frequency | | - | 3 | - | MHz |
| | Switching Frequency Accuracy | | -10 | | +10 | % |
| T_{DTYC} | Max Duty Cycle | Average | | 99.5 | | % |
| I_{PKMAX} | Maximum peak inductor current | | | 2 | | A |
| R_{ONLS} | Low side Buck MOSFET R_{DSON} (Q3) | Measured between PGND and SW, $V_{IN} = 5\text{ V}$ | - | 130 | 260 | m Ω |
| R_{ONHS} | High side Buck MOSFET R_{DSON} (Q2) | Measured between CAP and SW, $V_{IN} = 5\text{ V}$ | - | 100 | 200 | m Ω |

PROTECTED TRANSCEIVER SUPPLY

| | | | | | | |
|-------------|--------------------------|--------------------------|----|---|-----|----|
| V_{TRANS} | Voltage on TRANS pin | $V_{IN} \geq 5\text{ V}$ | | 5 | 5.5 | V |
| I_{TRMAX} | TRANS current capability | | 50 | | | mA |
| I_{TROCP} | Short circuit protection | | | | 150 | mA |

TIMING

| | | | | | | |
|-----------|----------------|--|--|------|--|---|
| T_{WD} | Watchdog timer | | | 32 | | s |
| T_{USB} | USB timer | | | 2048 | | s |

NCP1851, NCP1851A

Table 4. ELECTRICAL CHARACTERISTICS

Min & Max Limits apply for T_A between -40°C to $+85^{\circ}\text{C}$ and T_J up to $+125^{\circ}\text{C}$ for V_{IN} between 3.6 V to 7 V (Unless otherwise noted). Typical values are referenced to $T_A = +25^{\circ}\text{C}$ and $V_{IN} = 5\text{ V}$ (Unless otherwise noted).

| Symbol | Parameter | Conditions | | Min | Typ | Max | Unit |
|---------------|---|--|---------------------------------------|-----|-----|-----|------|
| TIMING | | | | | | | |
| T_{CHG1} | Charge timer | Safe-charge or pre-charge or weak-safe or weak-charge state. | | | 3 | | h |
| T_{CHG2} | | Full-charge state | | | 2 | | h |
| T_{WU} | Wake-up timer | | | | 64 | | s |
| T_{ST} | Charger state timer | Minimum transition time from states to states. | From Weak Charge to Full Charge State | | 32 | | s |
| | | | All others state | | 16 | | ms |
| T_{VRCHR} | Deglitch time for end of charge voltage detection | V_{BAT} rising | | | 15 | | ms |
| | | V_{BAT} falling | | | 127 | | ms |
| T_{INDET} | Deglitch time for input voltage detection | V_{IN} rising | | | 15 | | ms |
| T_{DGS1} | Deglitch time for signal crossing I_{EOC} , V_{PRE} , V_{SAFE} , V_{CHGDET} , V_{INEXT} thresholds. | Rising and falling edge | | | 15 | | ms |
| T_{DGS2} | Deglitch time for signal crossing V_{FET} , V_{BUSUV} , V_{BUSOV} thresholds. | Rising and falling edge | | | 1 | | ms |

BOOST CONVERTER AND OTG MODE

| | | | | | | | | |
|--------------|-------------------------------------|--|----------|------|------|------|---------------|----------|
| V_{IBSTL} | Boost minimum input operating range | Boost start-up | | 3.1 | 3.2 | 3.3 | V | |
| | | Boost running | | 2.9 | 3 | 3.1 | V | |
| V_{IBSTH} | Boost maximum input operating range | | | 4.4 | 4.5 | 4.6 | V | |
| V_{OBST} | Boost Output Voltage | DC value measured on CAP pin, no load | | 5.00 | 5.1 | 5.15 | V | |
| V_{OBSTAC} | Boost Output Voltage accuracy | Measured on CAP pin Including line and load regulation | | -3 | | 3 | % | |
| I_{BSTMX} | Output current capability | | | 500 | | | mA | |
| F_{SWBST} | Switching Frequency | | | | 1.5 | | MHz | |
| | Switching Frequency Accuracy | | | -10 | | 10 | % | |
| I_{BPKM} | Maximum peak inductor current | | | | 2 | | A | |
| V_{OBSTOL} | Boost overload | Boost running, voltage on IN pin | | 4.3 | 4.4 | 4.5 | V | |
| T_{OBSTOL} | | Maximum capacitance on IN pin during start-up | | | 10 | | μF | |
| R_{OBSTOL} | | Minimum load resistance on IN pin during start-up | NCP1851 | | | 170 | | Ω |
| | | | NCP1851A | | | 50 | | |
| V_{OBSTOV} | Overvoltage protection | V_{IN} rising | | 5.55 | 5.65 | 5.75 | V | |
| | | Hysteresis | | 25 | 75 | 125 | mV | |

NCP1851, NCP1851A

BLOCK DIAGRAM

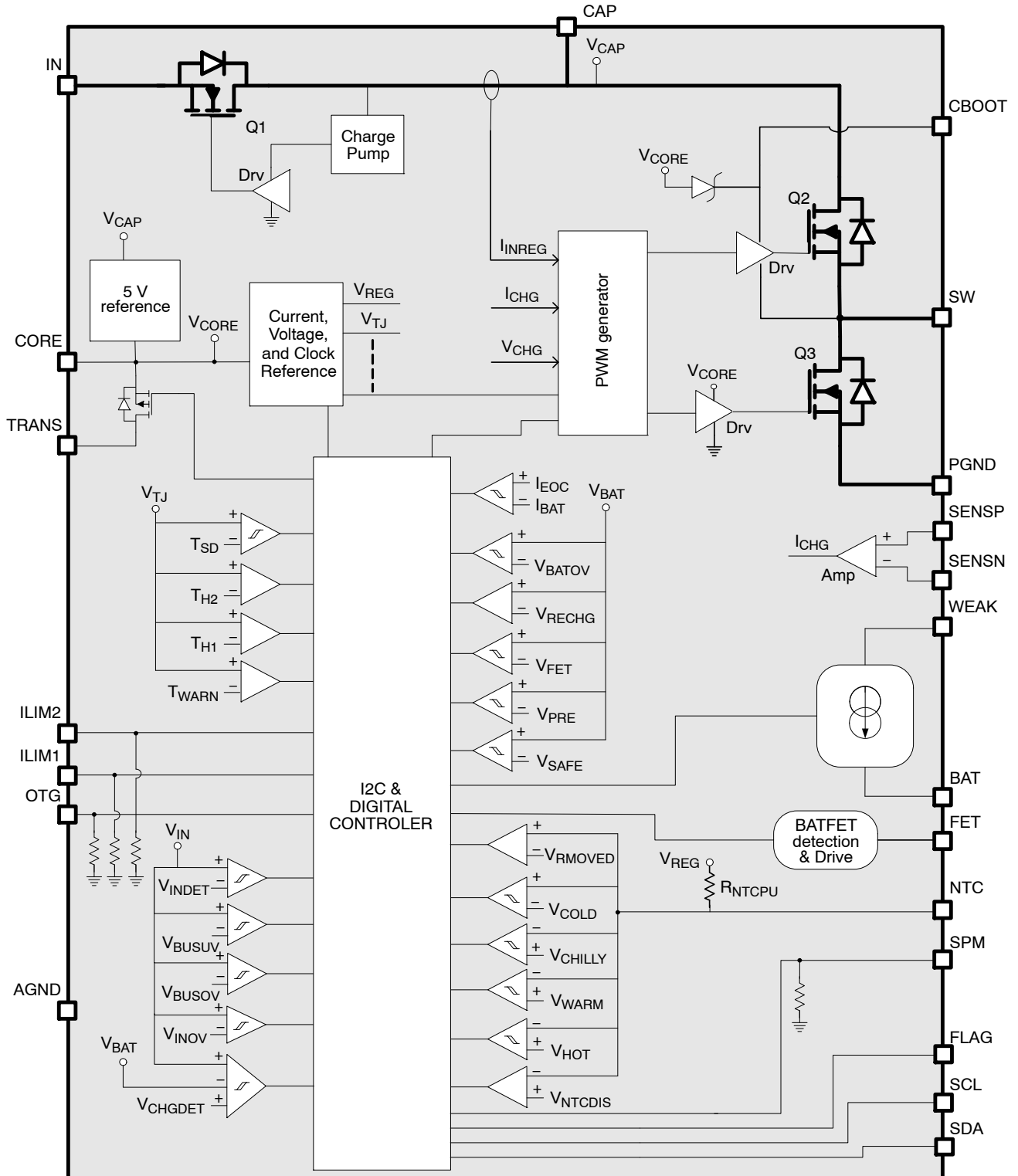


Figure 3. Block Diagram

NCP1851, NCP1851A

TYPICAL APPLICATION CIRCUITS

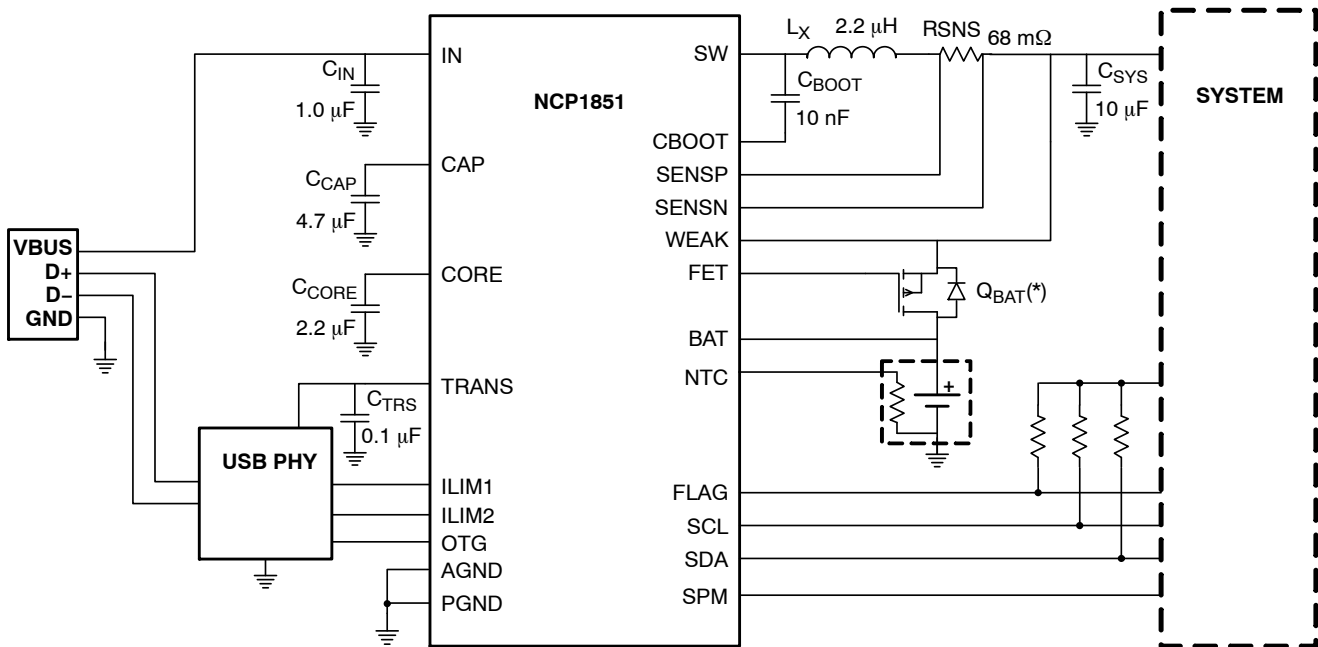


Figure 4. USB Charger with Battery External MOSFET

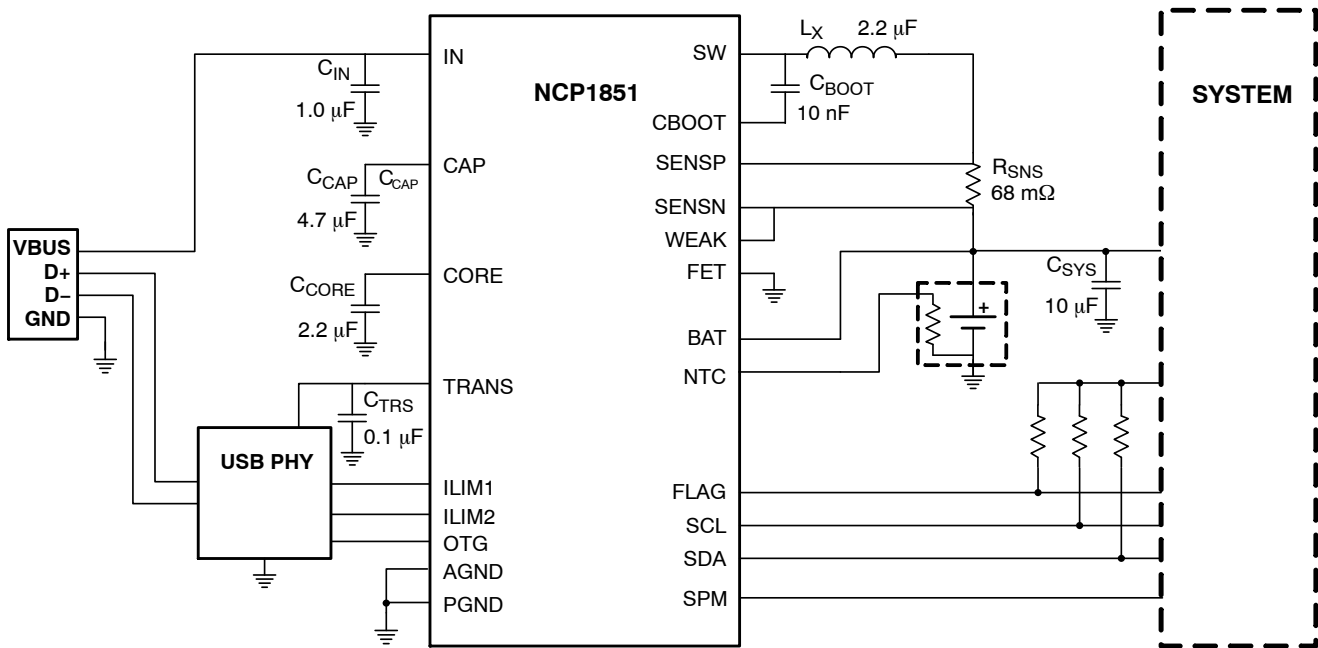


Figure 5. USB Charger without Battery External MOSFET

NCP1851, NCP1851A

TYPICAL CHARACTERISTICS

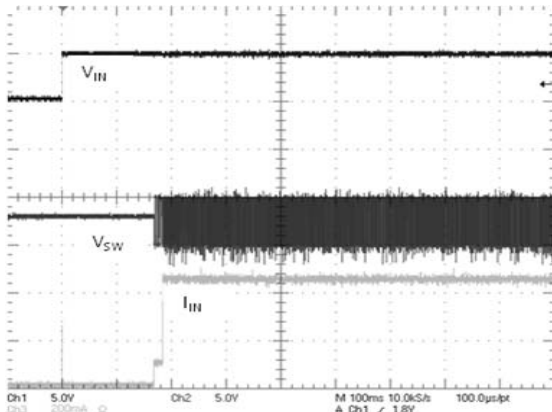


Figure 6. VBUS Insertion

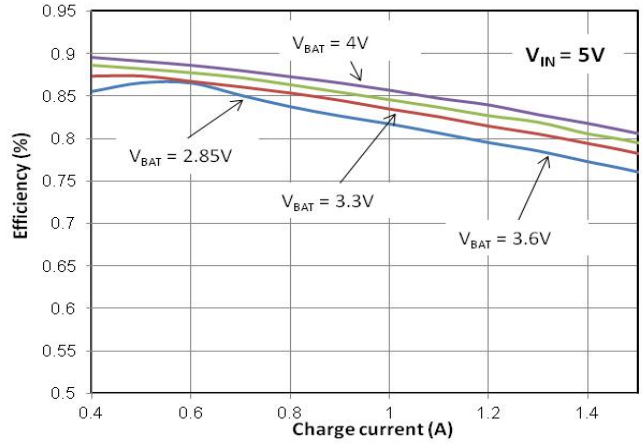


Figure 7. Charger Mode Efficiency

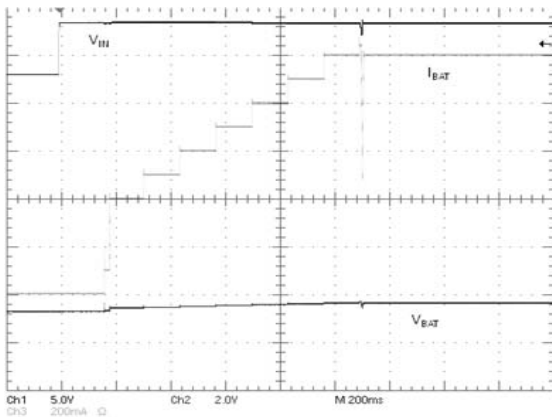


Figure 8. Automatic Charge Current

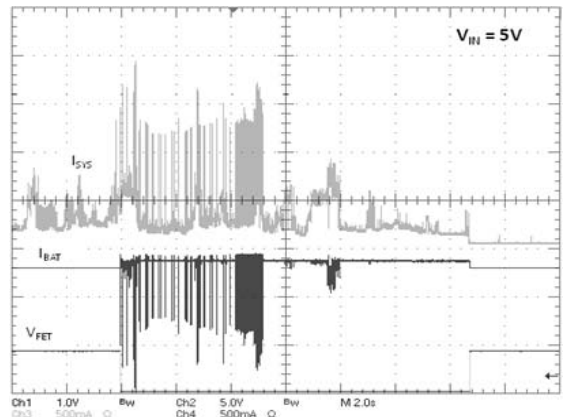


Figure 9. Dynamic Power Path

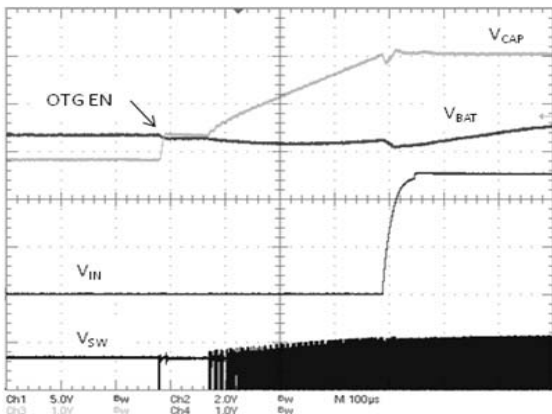


Figure 10. Boost Mode: Power-up

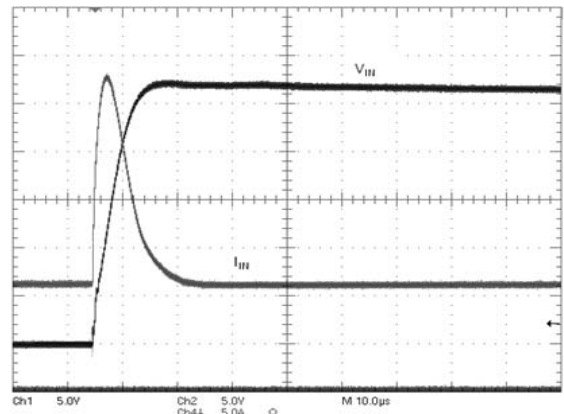


Figure 11. Over Voltage Protection

NCP1851, NCP1851A

CHARGE MODE OPERATION

Overview

The NCP1851 is a fully programmable single cell Lithium-ion switching battery charger optimized for charging from a USB compliant input supply. The device integrates a synchronous PWM controller; power MOSFETs, and monitoring the entire charge cycle including safety features under software supervision. An optional battery FET can be placed between the system and the battery in order to isolate and supply the system in case of weak battery. The NCP1851 junction temperature and battery temperature are monitored during charge cycle and current and voltage can be modified accordingly through I²C setting. The charger activity and status are reported through a dedicated pin to the system. The input pin is protected against overvoltages.

The NCP1851 is fully programmable through I²C interface (see Registers Map section for more details). All registers can be programmed by the system controller at any time during the charge process. The charge current (I_{CHG}), charge voltage (V_{CHG}), and input current (I_{INLIM}) are controlled by a dynamic voltage and current scaling for disturbance reduction. Is typically 10 μ s for each step.

NCP1851 also provides USB OTG support by boosting the battery voltage as well as an over voltage protected power supply for USB transceiver.

Charge Profile

In case of application without Q_{FET} (see Figure 5), the NCP1851 provides 4 main charging phases as described below. Unexpected behaviour or limitations that can modify the charge sequence are described further (see Charging Process section).

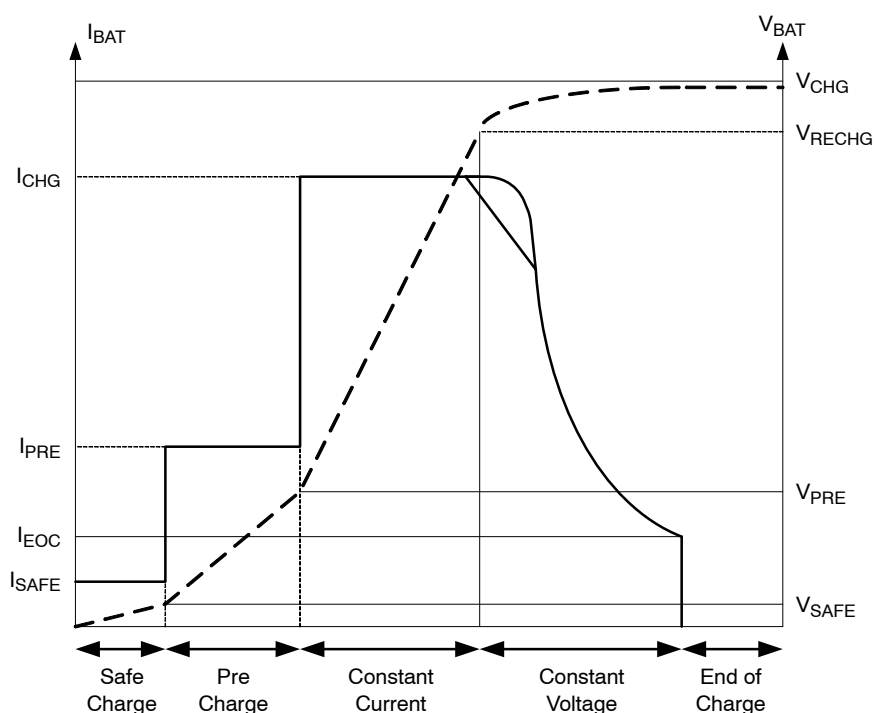


Figure 12. Typical Charging Profile of NCP1851

Safe Charge:

With a disconnected battery or completely empty battery, the charge process is in *safe charge* state, the charge current is set to I_{SAFE} in order to charge up the system's capacitors or the battery. When the battery voltage reaches V_{SAFE} threshold, the battery enters in pre-conditioning.

Pre Conditioning (pre-charge):

In preconditioning (pre charge state), the DC-DC convertor is enabled and an I_{PRE} current is delivered to the battery. This current is much lower than the full charge

current. The battery stays in preconditioning until the V_{BAT} voltage is lower than V_{PRE} threshold.

Constant Current (full charge):

In the constant current phase (*full charge* state), the DC-DC convertor is enabled and an I_{CHG} current is delivered to the load. As battery voltage could be sufficient, the system may be awake and sink an amount of current. In this case the charger output load is composed of the battery and the system. Thus I_{CHG} current delivered by the NCP1851 is shared between the battery and the system:
$$I_{CHG} = I_{SYS} + I_{BAT}$$

NCP1851, NCP1851A

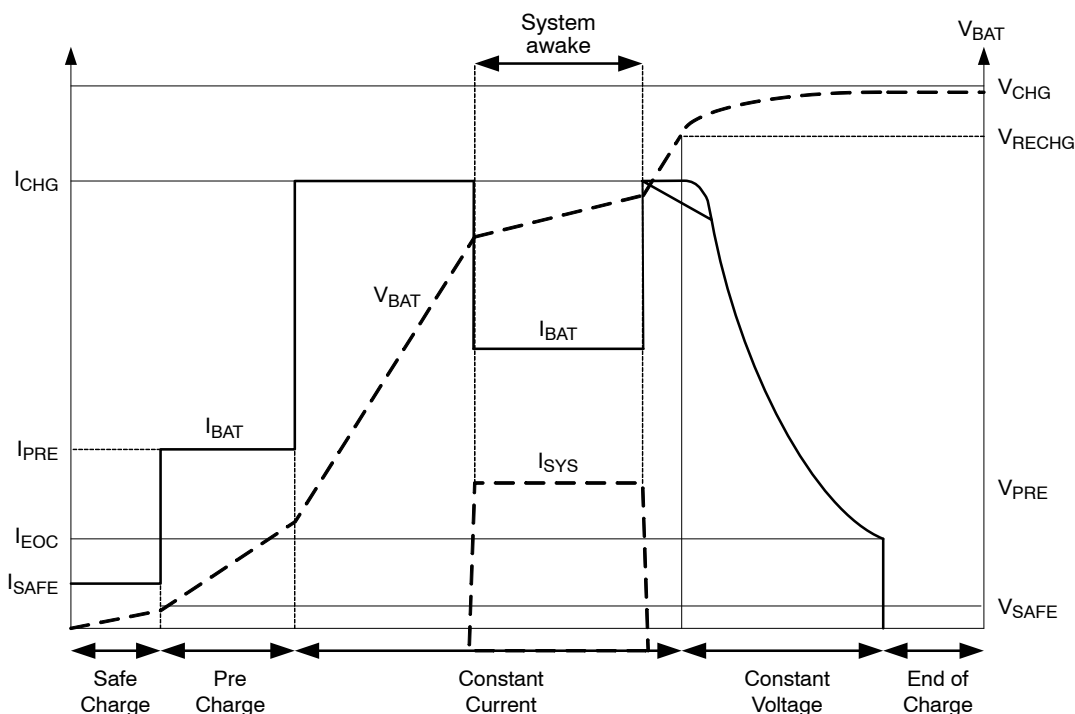


Figure 13. Typical Charging Profile of NCP1851 with System Awake

I_{CHG} current is programmable using I2C interface (register IBAT_SET – bits ICHG[3:0]).

Constant Voltage (full charge):

The constant voltage phase is also a part of the *full charge* state. When the battery voltage is close to its maximum (V_{CHG}), the charge circuit will transition from a constant current to a constant voltage mode where the charge current will slowly decrease (taper off). The battery is now voltage controlled. V_{CHG} voltage is programmable using I2C interface (register VBAT_SET– bits CTRL_VBAT[5:0]).

End of Charge:

The charge is completed (*end of charge* state) when the battery is above the V_{RECHG} threshold and the charge current below the I_{EOC} level. The battery is considered fully charged and the battery charge is halted. Charging is resumed in the constant current phase when the battery voltage drops below the V_{RECHG} threshold. I_{EOC} current is programmable using I2C interface (register IBAT_SET– bits IEOC[2:0]).

Power Stage Control

NCP1851 provides a fully-integrated 3MHz step-down DC-DC converter for high efficiency. For an optimized charge control, 3 feedback signals controls the PWM duty cycle. These 3 loops are: maximum input current (I_{NLIM}), maximum charge current (I_{CHG}) and, maximum charge voltage (V_{CHG}). The switcher is regulated by the first loop that reaches its corresponding threshold. Typically during charge current phase (V_{PRE} < V_{BAT} < V_{RECHG}), the measured input current and output voltage are below the programmed limit and asking for more power. But in the same time, the measured output current is at the programmed limit and thus regulates the DC-DC converter.

In order to prevent battery discharge and overvoltage protection, Q1(reverse voltage protection) and Q2(high side N-MOSFET of the DC-DC converter) are mounted in a back-to-back common drain structure while Q3 is the low side N MOSFET of the DC-DC converter. Q2 gate driver circuitry required an external bootstrap capacitor connected between CBOOT pin and SW pin.

An internal current sense monitors and limits the maximum allowable current in the inductor to I_{PEAK} value.

Charger Detection, Start-up Sequence and System Off

The start-up sequence begins upon an adaptor valid voltage plug in detection: V_{IN} > V_{INDET} and V_{IN} – V_{BAT} > V_{CHGDET} (*off* state).

Then, the internal circuitry is powered up and the presence of NTC and BATFET are reported (register STATUS – bit BATFET and NTC). When the power-up sequence is done, the charge cycle is automatically launched. At any time and any state, the user can hold the charge process and transit to *fault* state by setting CHG_EN to ‘0’ (register CTRL1) in the I²C register. Furthermore, during *fault* state, NTC block can be disabled for power saving (bit NTC_EN register CTRL1)

The I2C registers are accessible without valid voltage on V_{IN} if V_{CAP} > V_{SYSUV} (i.e. if V_{BAT} is higher than V_{SYSUV} + voltage drop across Q2 body diode).

At any time, the user can reset all register stack (register CTRL1 – bit REG_RST).

Weak Battery Support

An optional battery FET (Q_{BAT}) can be placed between the application and the battery. In this way, the battery can be isolated from the application and so-called weak battery operation is supported.

NCP1851, NCP1851A

Typically, when the battery is fully discharged, also referred to as weak battery, its voltage is not sufficient to supply the application. When applying a charger, the battery first has to be pre-charged to a certain level before operation. During this time; the application is supplied by the DC-DC converter while integrated current sources will pre-charge the battery to the sufficient level before reconnecting.

The pin FET can drive a PMOS switch (Q_{BAT}) connected between BAT and WEAK pin. It is controlled by the charger state machine (*Charging process* section). The basic behaviour of the FET pin is that it is always low. Thus the PMOS is conducting, except when the battery is too much discharged at the time a charger is inserted under the condition where the application is not powered on. The FET pin is always low for BAT above the V_{FET} threshold. Some exceptions exist which are described in the Charging process and *Power Path Management* section. The V_{FET} threshold is programmable (register MISC_SET – bit CTRL_VFET).

Batfet detection

The presence of a PMOS (Q_{BAT}) at the FET pin is verified by the charging process during its *config* state. To distinguish the two types of applications, in case of no battery FET the pin FET is to be tied to ground. In the *config* state an attempt will be made to raise the FET pin voltage slightly up to a detection threshold. If this is successful it is considered that a battery FET is present. The batfet detection is completed for the whole charge cycle and will be done again upon unplug condition ($V_{BAT} < V_{INDET}$ or $V_{IN} - V_{BAT} < V_{CHGDET}$) or register reset (register CTRL1 – bit REG_RST).

Weak wait

Weak wait state is entered from wait state (see Charging process section) in case of BATFET present, battery voltage

lower than V_{FET} and host system in shutdown mode (SPM = 0). The DCDC converter from VIN to SW is enabled and set to V_{CHG} while the battery FET Q_{BAT} is opened. The system is now powered by the DC-DC. The internal current source to the battery is disabled. In weak wait state, the state machine verifies if the battery temperature is OK thanks to the NTC sensor. If NTC OK or if NTC is not present (NTC pin tied to 0), this state is left for weak safe state. In case of no battery, the NCP1851 stay in weak wait state (the system is powered by DC-DC).

Weak safe

The voltage at V_{BAT} is below the V_{SAFE} threshold. In *weak safe* state, the battery is charged with a linear current source at a current of I_{SAFE} . The DC-DC converter is enabled and set to V_{CHG} while the battery FET Q_{BAT} is opened. In case the ILIM pin is not made high or the input current limit defeated by I²C before timer expiration, the state is left for the *safe charge* state after a certain amount of time (see *Wake up Timer* section). Otherwise, the state machine will transition to the *weak charge* state once the battery is above V_{SAFE} .

Weak charge

The voltage at V_{BAT} is above the V_{SAFE} threshold. The DC-DC converter is enabled and set to V_{CHG} . The battery is initially charged at a charge current of I_{WEAK} supplied by a linear current source from WEAK pin (i.e. DC-DC converter) to BAT pin. I_{WEAK} value is programmable (register MISC_SET bits IWEAK). The weak charge timer (see *Wake up Timer* section) is no longer running. When the battery is above the V_{FET} threshold (programmable), the state machine transitions to the *full charge* state thus BATFET Q_{BAT} is closed.

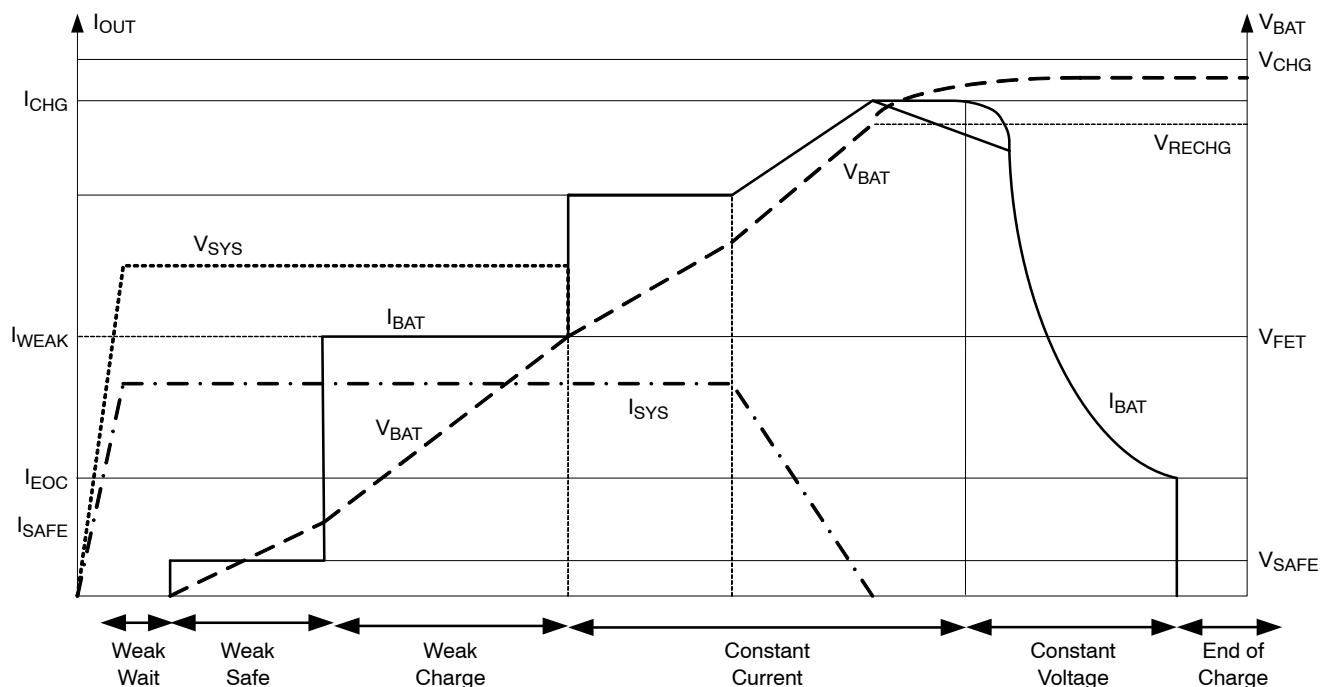


Figure 14. Weak Charge Profile

Weak Charge Exit

In some application cases, the system may not be able to start in *weak charge states* due to current capability limitation or/and configuration of the system. If so, in order to avoid unexpected “drop and retry” sequence of the buck output, the charge state machine allows only 3 system power-up sequences based on SPM pin level: If SPM pin level is toggled 3 times during *weak charge states*, the system goes directly to *safe charge state* and a *full charge mode* sequence is initiated (“Power fail” condition in Charging process section).

Power Path Management

Power path management can be supported when a battery FET (Q_{BAT}) is placed between the application and the battery. When the battery is fully charged (end of charge state), power path management disconnects the battery from the system by opening Q_{BAT}, while the DC-DC remains active. This will keep the battery in a fully charged state with the system being supplied from the DC-DC. If a load transient appears exceeding the DC-DC output current and thus causing V_{SENSEN} to fall below V_{RECHG}, the FET Q_{BAT} is instantaneously closed to reconnect the battery in order to provide enough current to the application. The FET Q_{BAT} remains closed until the end of charge state conditions are reached again. The power path management function is enabled through the I²C interface (register CTRL2 bit PWR_PATH=1).

Safety Timer Description

The safety timer ensures proper and safe operation during charge process. The set and reset condition of the different safety timer (Watchdog timer, Charge timer, Wakeup timer and USB timer) are detailed below. When a timer expires (condition “timeout” in Charging process section), the charge process is halted.

Watchdog Timer

Watchdog timer ensures software remains alive once it has programmed the IC. The watchdog timer is no longer running since I²C interface is not available. Upon an I²C write, automatically a watchdog timer T_{WD} is started. The watchdog timer is running during *charger active states* and *fault state*. Another I²C write will reset the watchdog timer. When the watchdog times out, the state machine reverts to *fault state* and reported through I²C interface (register CHINT2– bit WDTO). Also used to time out the *fault state*. This timer can be disabled (Register CTRL2 bit WDTO_DIS).

Charge Timer

A charge timer T_{CHG} is running that will make that the overall charge to the battery will not exceed a certain amount of energy. The charge timer is running during *charger active states* and halted during *charger not active states* (see *Charging process* section). The timer can also be cleared any time through I²C (register CTRL1 – bit TCHG_RST). The state machine transitions to *fault state* when the timer expires. This timer can be disabled (Register CTRL2 bit CHGTO_DIS).

USB Timer

A USB charge timer T_{USB} is running in the *charger active states* while halted in the *charger non active states*. The timer keeps running as long as the lowest input current limit remains selected either by ILIM pin or I²C (register I_SET – bit IINLIM and IINLIM_EN). This will avoid exceeding the maximum allowed USB charge time for un-configured connections. When expiring, the state machine will transition to *fault state*. The timer is cleared in the *off state* or by I²C command (register CTRL1 – bit TCHG_RST).

Wake up Timer

Before entering *weak charge state*, NCP1851 verifies if the input current available is enough to supply both the application and the charge of the battery. A wake-up timer T_{WU} verifies if ILIM pin is raised fast enough or application powered up (by monitoring register I_SET – bit IINLIM and IINLIM_EN level) after a USB attachment. The wake up timer is running in *weak wait state* and *weak safe state* and clears when the input current limit is higher than 100 mA.

Input Current Limitation

In order to be USB specification compliant, the input current at V_{IN} is monitored and could be limited to the I_{INLIM} threshold. The input current limit threshold is selectable through the ILIMx pin. When low, the one unit USB current is selected (I_{IN} ≤ 100 mA), where when made high 5 units are selected (I_{IN} ≤ 500 mA). In addition, this current limit can be programmed through I²C (register MISC_SET bits IINLIM) therefore defeating the state of the ILIMx pin. In case of non-limited input source, current limit can be disabled (register CTRL2 bit IINLIM_EN). The current limit is also disabled in case the input voltage exceeds the V_{BUSOV} threshold.

NCP1851, NCP1851A

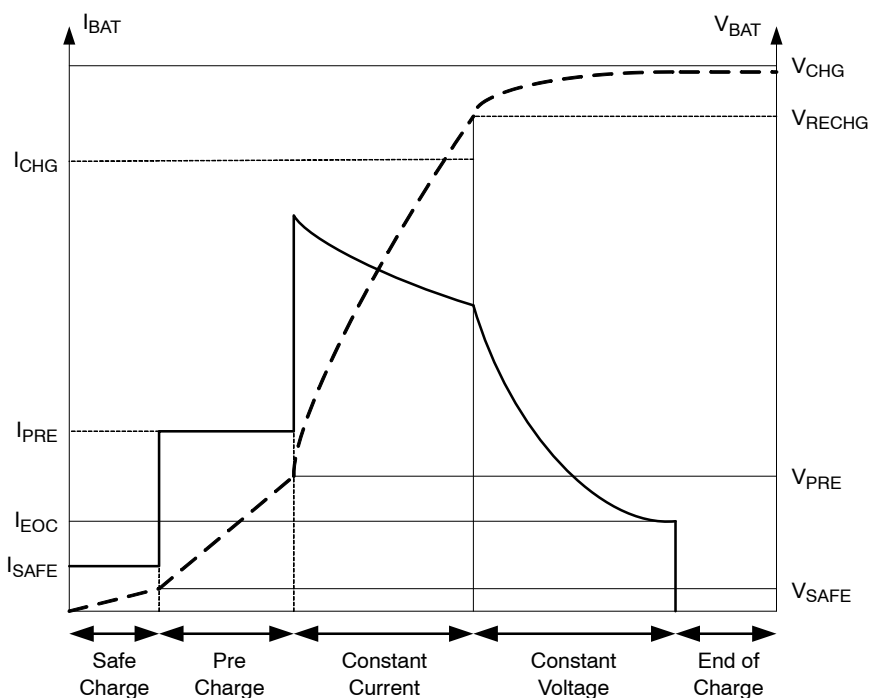


Figure 15. Typical Charging Profile of NCP1851 with Input Current Limit

Input Voltage Based Automatic Charge Current

If the input power source capability is unknown, automatic charge current will automatically increase the charge current step by step until the V_{IN} drops to V_{BUSUV} . Upon V_{BUSUV} being triggered, the charge current I_{CHG} is immediately reduced by 1 step and stays constant until V_{IN} drops again to V_{BUSUV} . The I_{CHG} current is clamped to the I²C register value (register $IBAT_SET$, bits $ICHG$). This unique feature is enabled when the pins $ILIM1 = 0$ and $ILIM2 = 1$ or through I²C register (register $CRTL2$ bit $AICL_EN$).

| ILIM1 | ILIM2 | Input Current Limit |
|-------|-------|--------------------------|
| 0 | 0 | 100 mA |
| 0 | 1 | Automatic Charge Current |
| 1 | 0 | 500 mA |
| 1 | 1 | 900 mA |

Junction Temperature Management

During the charge process, NCP1851 monitors the temperature of the chip. If this temperature increases to T_{WARN} , an interrupt request (described in section Charge status reporting) is generated and bit $TWARN_SNS$ is set to '1' (register NTC_TH_SENSE). Knowing this, the user is free to halt the charge (register $CTRL$ – bit CHG_EN) or reduce the charge current (register I_SET – bits $ICHG$). When chip temperature reaches T_{SD} value, the charge process is automatically halt.

Between T_{WARN} and T_{SD} threshold, a junction temperature management option is available by setting 1 to TJ_WARN_OPT bit (register $CONTROL$). In this case, if the die temperature hits T_{M1} threshold, an interrupt is generated again but NCP1851 will also reduce the charge current I_{CHG} by two steps or 200 mA. This should in most cases stabilize the die temperature because the power dissipation will be reduced by approximately 50 mW. If the die temperature increases further to hit T_{M2} , an interrupt is generated and the charge current is reduced to its lowest level or 400 mA. The initial charge current will be re-established when the die temperature falls below the T_{WARN} again.

If bit $TJ_WARN_OPT = 0$ (register $CTRL1$), the charge current is not automatically reduced, no current changes actions are taken by the chip until T_{SD} .

Battery Temperature Management

For battery safety, charging is not allowed for too cold or too hot batteries. The battery temperature is monitored through a negative temperature coefficient (NTC) thermistor mounted in the battery pack or on the phone PCB close to the battery pack. In some cases the NTC is handled by the platform and will not be connected to the charger IC.

NCP1851 provides a NTC pin for monitoring an external NTC thermistor. NTC pin is connected to an internal voltage V_{REG} through pull-up resistor (R_{NTCPU}). By connecting a NTC thermistor between NTC pin and GND, internal comparators can monitor voltage variation and provides temperature information to the state machine.

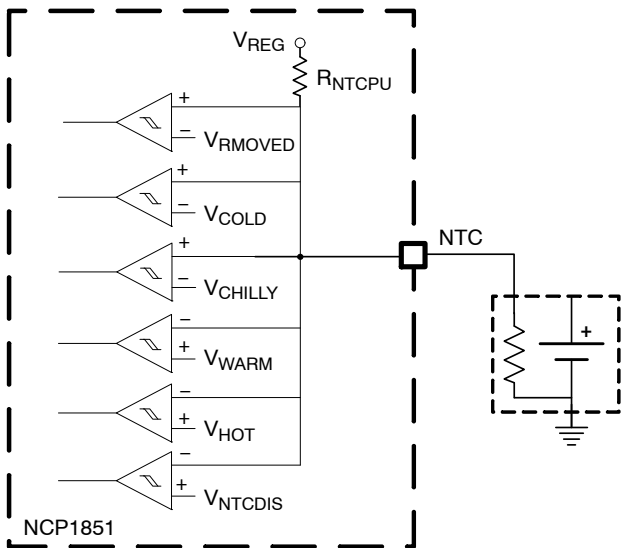


Figure 16. NTC Monitoring Circuit

Four thresholds ‘cold’, ‘chilly’, ‘warm’ and ‘hot’ are provided those are all programmable. The corresponding voltage levels of these thresholds are respectively V_{COLD} , V_{CHILLY} , V_{WARM} and V_{HOT} . Interrupts (describe in section *Charge status reporting*) are generated when crossing either threshold. Two charging schemes are available through I²C using these four thresholds. The default scheme (bit JEITA_OPT = 0 in CTRL1 register) will halt charging outside the cold–warm window. A second extended

temperature scheme (bit JEITA_OPT = 1 in CTRL1 register) will halt charging outside the cold–hot window while reducing the charge voltage and current in the warm–hot and chilly–cold window with V_{CHGRED} (register NTC_SET1) and I_{CHGRED} (register NTC_SET1). The state machine (see Charging process section), takes the chilly–warm respectively the cold–hot window for not out of temp detection. This boils down into selecting between I_{CHGRED} or no current for the warm–hot and cold–chilly window. In both cases, the charge voltage and charge current can be reprogrammed while in the warm–hot and cold–chilly window. Together with the programmable thresholds this effectively allows the use of different charging schemes at different temperatures as well as to accommodate to different NTC characteristics. Cold, chilly, warm and hot threshold can be set respectively with bits BATCOLD, BATCHILLY, BATWARM and BATHOT of NTC_SET2 register.

In addition to the above, comparators monitor the NTC presence. When the NTC is removed ($V_{NTC} > V_{NTCRMV}$), no more charge current is supplied to the battery and an interrupt is generated (describe in section *Charge status reporting*). This functionality can be disabled through programming (bit NTC_EN in register CTRL1). When the NTC is not used in the application the NTC pin can be tied to ground ($V_{NTC} < V_{NTCDIS}$) which will disable the battery temperature monitoring function.

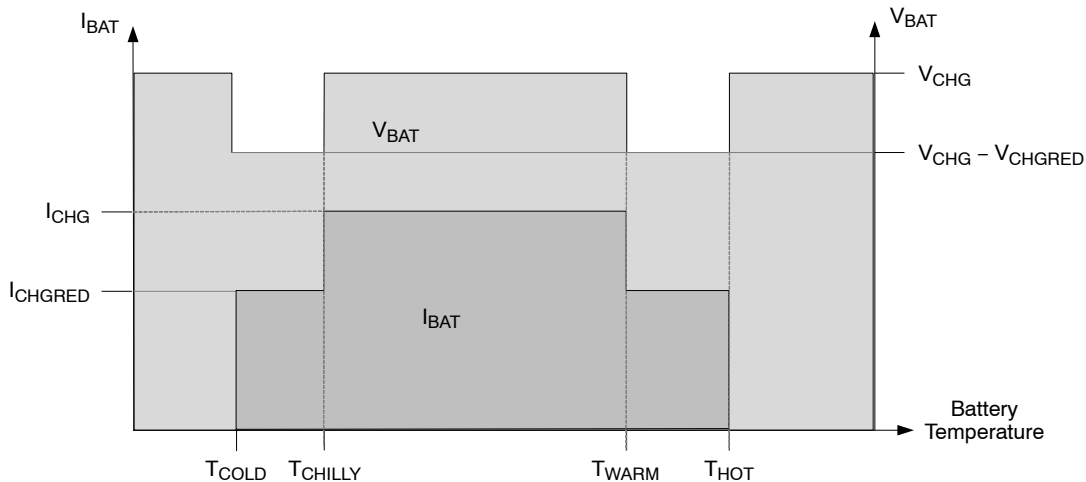


Figure 17. Charge Voltage and Current versus Battery Temperature (JEITA_OPT)

NCP1851, NCP1851A

Use Case of Current and Voltage Charge

If configured, charge current and voltage is automatically modified by the input current limit, chip temperature and battery temperature.

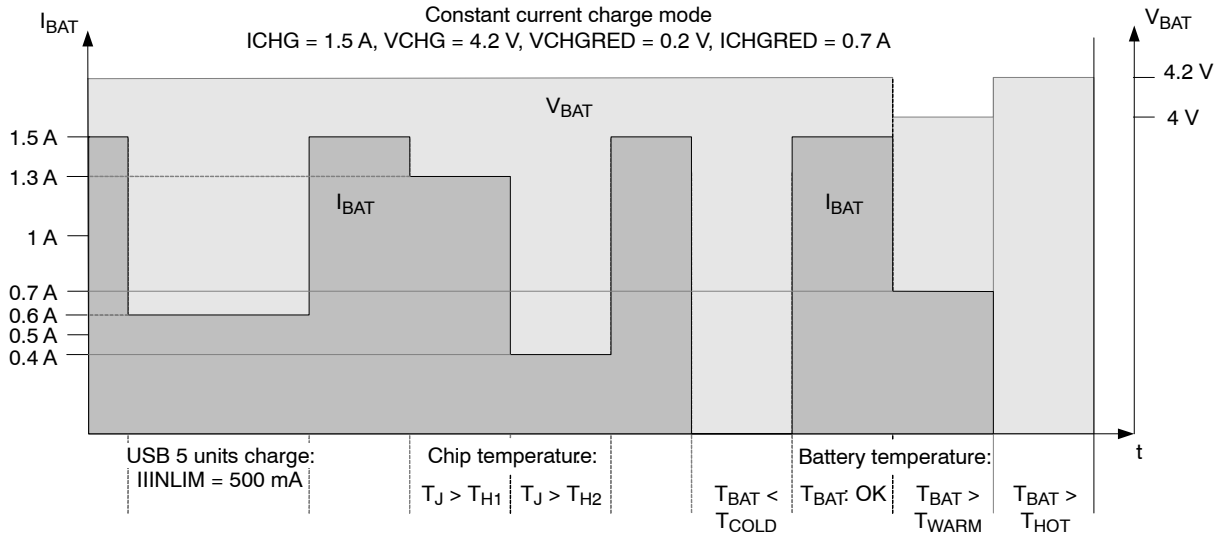


Figure 18. Use Case Charge Voltage and Current

Regulated Power Supply (Trans pin)

NCP1851 has embedded a linear voltage regulator (V_{TRANS}) able to supply up to I_{TRMAX} to external loads. This output can be used to power USB transceiver. Trans pin

is enabled if a V_{BUS} valid is connected on input pin ($V_{BUSUV} < V_{IN} < V_{BUSOV}$) and can be disabled through I²C (bit $TRANS_EN_REG$ register CTRL2).

Charge Status Reporting

FLAG pin

FLAG pin is used to report charge status to the system processor and for interruption request.

During *charger active* states and *wait* state, the pin FLAG is low in order to indicate that the charge of the battery is in progress. When charge is completed or disabled or a fault occurs, the FLAG pin is high as the charge is halted.

STATUS and CONTROL Registers

The status register contains the current charge state, NTC and BATFET connection as well as fault and status interrupt (bits FAULTINT and STATINT in register STATUS). The charge state (bits STATE in register STATUS) is updated on the fly and corresponds to the charging state describe in Charging process section. An interruption (see description below) is generated upon a state change. In the *config* state, hardware detection is performed on BAFET and NTC pins. From *wait* state, their statuses are available (bit BATFET and NTC in register STATUS). STATINT bit is set to 1 if an interruption appears on STAT_INT register (see description below). FAULTINT bit is set to 1 if an interruption appears on registers CH1_INT, CH1_INT or BST_INT. Thanks to this register, the system controller knows the chip status with only one I²C read operation. If a fault appears or a status change (STATINT bits and FAULTINT), the controller can read corresponding registers for more details.

Interruption

Upon a state or status change, the system controller is informed by sensing FLAG pin. A T_{FLAGON} pulse is generated on this pin in order to signalize an event. The level of this pulse depends on the state of the charger (see *Charging process* section):

- When charger in is *charger active* states and *wait* state the FLAG is low and consequently the pulse level on FLAG pin is high.
- In the others states, the pulse level is low as the FLAG stable level is high.

Charge state transition even and all bits of register STAT_INT, CH1_INT, CH2_INT, BST_INT generate an interrupt request on FLAG pin and can be masked with the corresponding mask bits in registers STAT_MSK, CH1_MSK, CH2_MSK and BST_MSK. All interrupt signals can be masked with the global interrupt mask bit (bit INT_MASK register CTRL1). All these bits are read to clear. The register map (see REGISTERS MAP section) indicated the active transition of each bits (column “TYPE” in see REGISTERS MAP section).

If more than 1 interrupt appears, only 1 pulse is generated while interrupt registers (STAT_INT, CH1_INT, CH2_INT, BST_INT) will not fully clear.

Sense and Status Registers

At any time the system processor can know the status of all the comparators inside the chip by reading VIN_SNS, VBAT_SNS, and TEMP_SNS registers (read only). These bits give to the system controller the real time values of all the corresponding comparators outputs (see BLOCK DIAGRAM).

Battery Removal and No Battery Operation

During normal charge operation the battery may bounce or be removed. The state transition of the state machine only occurs upon deglitched signals which allow bridging any battery bounce. True battery removal will last longer than the debounce times. The NCP1851 responses depend on NTC and BATFET presence:

If the battery is equipped with an NTC its removal is detected ($V_{NTC} > V_{NTCRMV}$) and the state machine transits to *fault* state and an interrupt is generated (bit BATRMV register CH1_INT). Then, in case of applications with BATFET, the state machine will end up in *weak wait* state so the system is powered by the DC-DC converter (see *Weak wait* section) without battery. In case of application without BATFET, the state machine will end up in *fault* state (DC-DC off) so the system is not powered.

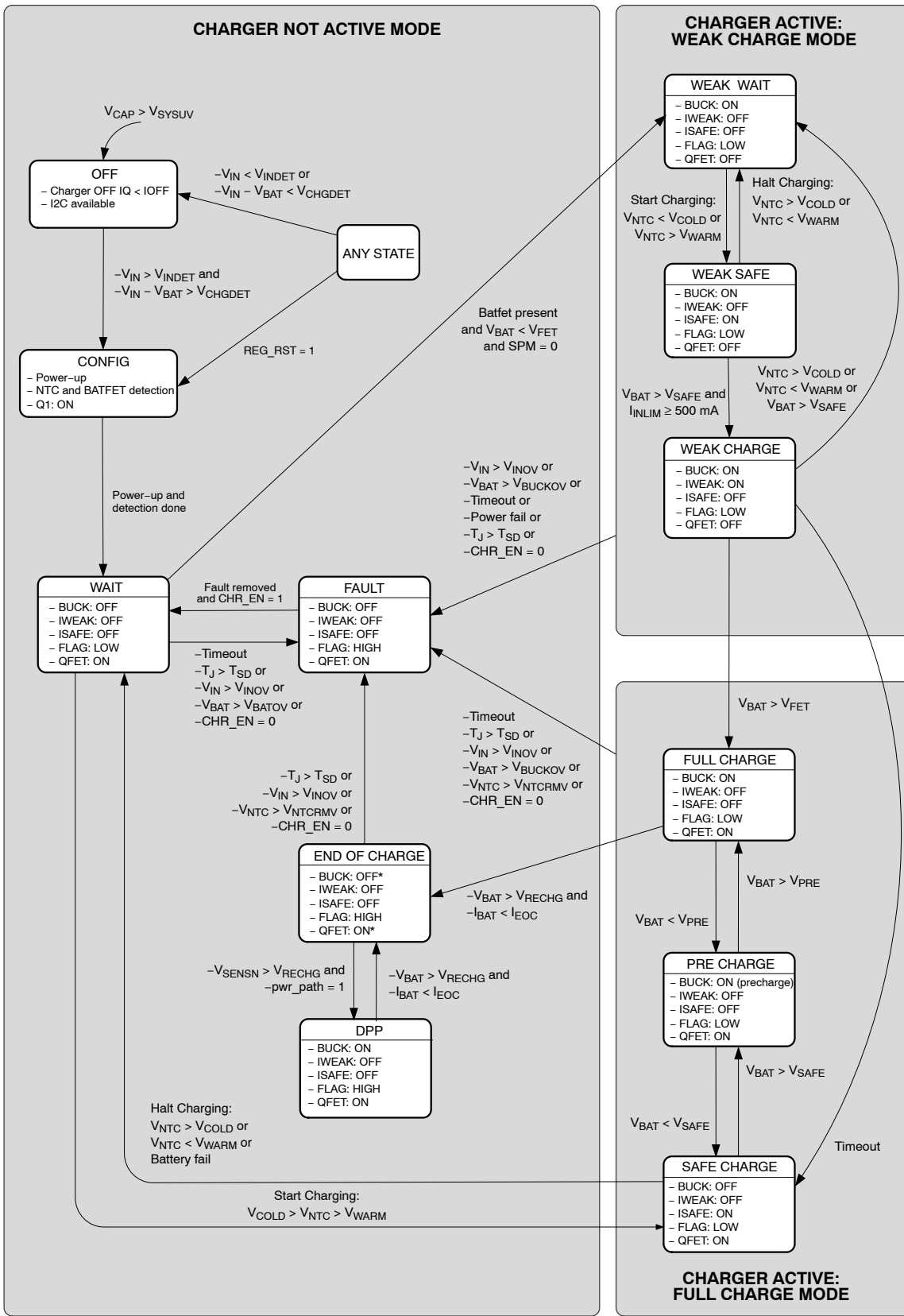
With a battery pack without NTC support, the voltage at V_{BAT} will rapidly reach the DCDC converter setting V_{CHG} and then transition to *end of charge* state causing DC-DC off. Thus V_{BAT} falls (“Battery fail” condition in Charging process section).

Factory Mode

During factory testing no battery is present in the application and a supply could be applied through the bottom connector to power the application. The state machine will support this mode of operation under the condition that the application includes a battery FET and uses batteries with NTC support (similar as no battery operation). In this case, the state machine will end up in *weak wait* state (see *Weak wait* section). The application is supplied while the absence of the battery pack is interpreted as a battery pack out of temperature ($V_{NTC} > V_{COLD}$). Through I²C the device is entirely programmable so the controller can configure appropriate current and voltage threshold for handle factory testing. Factory regulation mode (Register CTRL2 Bit FCTRY_MOD_REG) is accessible for factory testing purpose. In this mode, input and charge current loops are disabled, allowing full power to the system.

NCP1851, NCP1851A

CHARGING PROCESS



(*) see Power Path Management section

Figure 19. Detailed Charging Process

NCP1851, NCP1851A

BOOST MODE OPERATION

The DC–DC Converter can also be operated in a Boost mode where the application voltage is stepped up to the input V_{IN} for USB OTG supply. The converter operates in a 1.5 MHz fixed frequency PWM mode or in pulse skipping mode under low load condition. In this mode, where CAP is the regulated output voltage, Q3 is the main switch and Q2 is the synchronous rectifier switch. While the boost converter is running, the Q1 MOSFET is fully turned ON.

Boost Start-up

The boost mode is enabled through the OTG pin or I²C (register CTRL1 – bit OTG_EN). Upon a turn on request, the converter regulates CAP pin, and the output voltage is present on IN pin through the Q1 MOSFET which is maintained close unless OVLO event. During start-up phase, if the IN pin cannot reach voltage higher than V_{BUSUV} within 16 ms, then a fault is indicated to the system controller (bit VBUSILIM register BST_INT) and the boost is turns-off.

VIN Over-Voltage Protection

The NCP1851 contains integrated over-voltage protection on the V_{IN} line. During boost operation (V_{IN} supplied), if an over-voltage condition is detected ($V_{IN} > V_{BUSOV}$), the controller turns off the PWM converter. OTG_EN bit (register CTRL1) is set to 0 and a fault is indicated to the system controller (bit VBUSOV register BST_INT)

VIN Over-Current Protection

The NCP1851 contains over current protection to prevent the device and battery damage when V_{IN} is overloaded. When the IN voltage drops down to V_{BUSUV} , NCP1851 determine an over-current condition is met, so Q1 MOSFET and PWM converter are turned off. A fault is indicated to the system controller (bit VBUSILIM register BST_INT).

Battery Under-Voltage Protection

During boost mode, when the battery voltage is lower than the battery under voltage threshold ($V_{BAT} < V_{IBSTL}$), the IC

turns off the PWM converter. A fault is indicated to the system controller (bit VBATLO register BST_INT)

A toggle on OTG pin or OTG_EN bit (register CTRL1) is needed to start again a boost operation.

Boost Status Reporting

STATUS and CTRL registers

The status register contains the boost status. Bits STATE in register STATUS gives the boost state to the system controller. Bits FAULTINT and STATINT in register STATUS are also available in boost mode. If a fault appears or a status changes (STATINT bits and FAULTINT) the processor can read corresponding registers for more details.

Interruption

In boost mode, valid interrupt registers are STAT_INT and BST_INT while CH1_INT and CH2_INT are tied to their reset value. Upon a state or status changes, the system controller is informed by sensing FLAG pin. Like in charge mode, T_{FLAGON} pulse is generated on this pin in order to signalize the event. The pulse level is low as the FLAG level is high in boost mode. Charge state transition even and all signals of register BST_INT can generate an interrupt request on FLAG pin and can be masked with the corresponding mask bits in register BST_MSK. All these bits are read to clear. The register map (see Registers Map section) indicates the active transition of each bits (column “TYPE” in see Registers Map section). If more than 1 interrupt appears, only 1 pulse is generated while interrupt registers (listed just above) will not fully clear.

Sense and Status Registers

At any time the system controller can know the status of all the comparator inside the chip by reading VIN_SNS and TEMP_SNS registers (read only). These bits give to the controller the real time values of all the corresponding comparators outputs (see Block Diagram).

I²C DESCRIPTION

NCP1851 can support a subset of I2C protocol, below are detailed introduction for I2C programming.

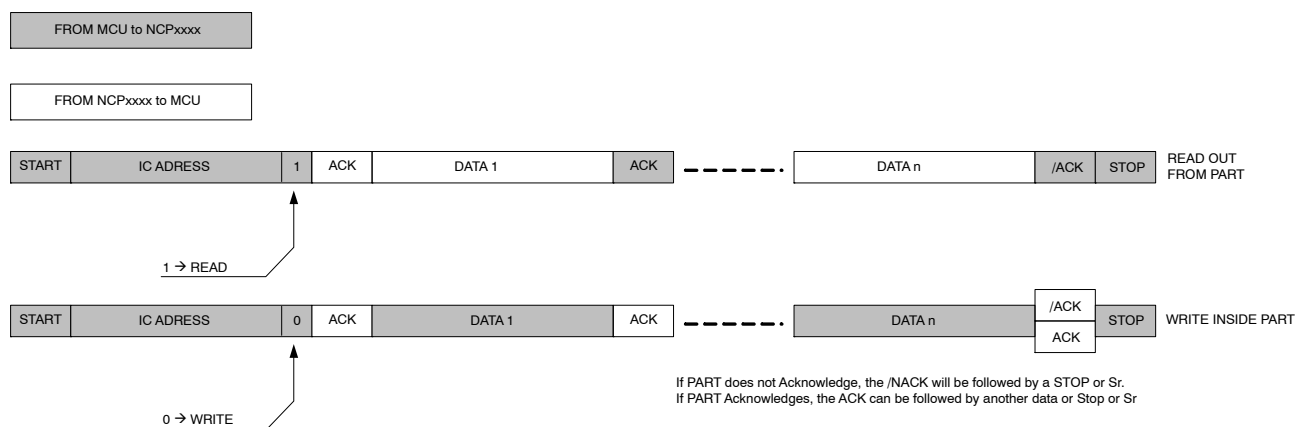


Figure 20. General Protocol Description

NCP1851, NCP1851A

The first byte transmitted is the Chip address (with LSB bit sets to 1 for a read operation, or sets to 0 for a Write operation). Then the following data will be:

- In case of a Write operation, the register address (@REG) we want to write in followed by the data we will write in the chip. The writing process is incremental. So the first data will be written in @REG, the second one in @REG + 1.... The data are optional.

- In case of read operation, the NCP1851 will output the data out from the last register that has been accessed by the last write operation. Like writing process, reading process is an incremental process.

Read Out from Part

The Master will first make a “Pseudo Write” transaction with no data to set the internal address register. Then, a stop then start or a Repeated Start will initiate the read transaction from the register address the initial write transaction has set:

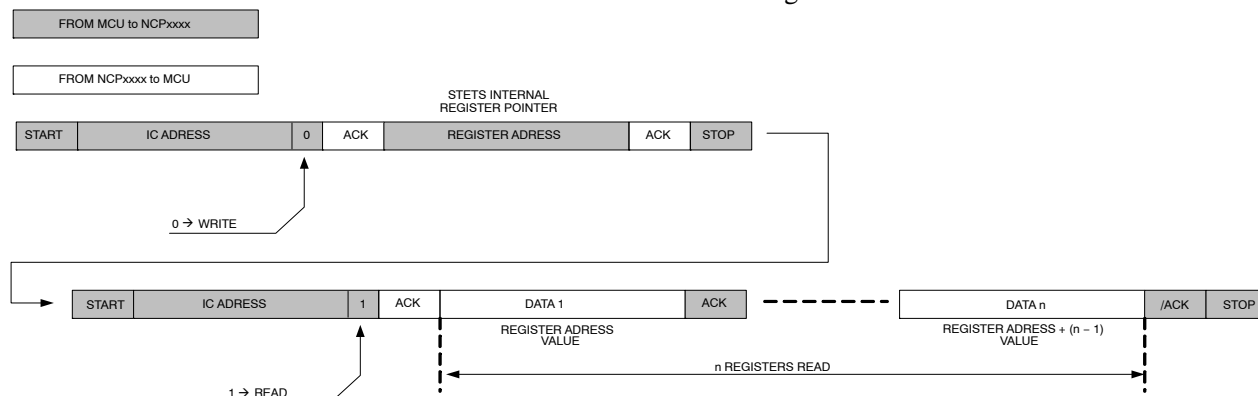


Figure 21. Read Out from Part

The first WRITE sequence will set the internal pointer on the register we want access to. Then the read transaction will start at the address the write transaction has initiated.

Write in Part:

Write operation will be achieved by only one transaction. After chip address, the MCU first data will be the internal register we want access to, then following data will be the data we want to write in Reg, Reg + 1, Reg + 2,...., Reg + n.

Write n Registers:

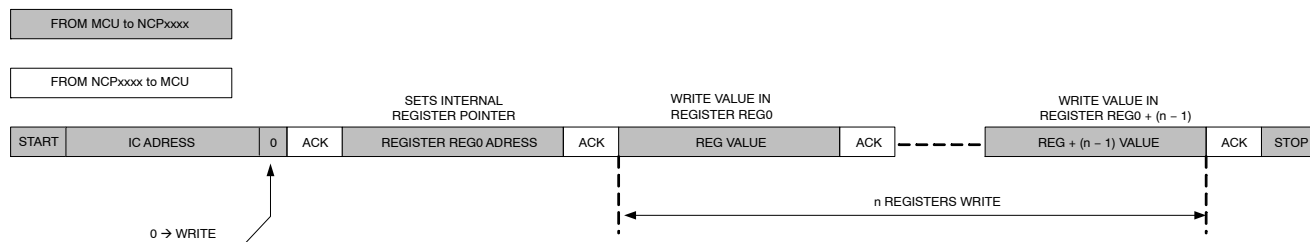


Figure 22. Write in n Registers

I²C Address

NCP1851 has fixed I²C but different I²C address (0\$10, 7 bit address, see below table A7~A1), NCP1851 supports 7-bit address only.

Table 5. NCP1851 I²C ADDRESS

| I ² C Address (Note 5) | Hex | A7 | A6 | A5 | A4 | A3 | A2 | A1 | A0 |
|-----------------------------------|-------------|----|----|----|----|----|----|----|----|
| Default | \$6C / \$6D | 0 | 1 | 1 | 0 | 1 | 1 | 0 | X |

5. Other addresses are available upon request.

NCP1851, NCP1851A

Table 6. REGISTERS MAP

| Bit | Type | Reset | Name | RST Value | Function |
|---|------|----------------------------------|-------------|-----------|---|
| STATUS REGISTER – Memory location : 00 | | | | | |
| 7-4 | R | No_Reset | STATE[3:0] | 0000 | Charge mode: -0000 : OFF -0001 : WAIT + STBY -0010 : SAFE CHARGE -0011 : PRE CHARGE -0100 : FULL CHARGE -0101 : VOLTAGE CHARGE -0110 : CHARGE DONE -0111 : DPP -1000 : WEAK WAIT -1001 : WEAK SAFE -1010 : WEAK CHARGE -1011 : FAULT Boost mode: -1100 : BOOST WAIT(s_WAIT) -1101 : BOOST MODE (s_ON) -1110 : BOOST FAULT (s_FAULT) -1111 : BOOST OVER LOAD (s_OL) |
| 3 | R | No_Reset | BATFET | 0 | Indicate if a batfet is connected: 0 : No BATFET is connected 1 : BATFET is connected. |
| 2 | R | No_Reset | NTC | 0 | Indicate if a ntc resistor is present: 0 : No NTC connected 1 : NTC connected |
| 1 | R | No_Reset | STATINT | 0 | Status interrupt: 0 : No status interrupt 1 : Interruption flagged on STAT_INT register |
| 0 | R | No_Reset | FAULTINT | 0 | Fault interrupt: 0 : No status interrupt 1 : interruption flagged on CHRIN1, CHRIN2 or BST_INT register |
| CTRL1 REGISTER – Memory location : 01 | | | | | |
| 7 | RW | OFF STATE, POR, REG_RST | REG_RST | 0 | Reset: 0 : No reset 1 : Reset all registers |
| 6 | RW | OFF STATE, POR, REG_RST | CHG_EN | 1 | Charge control: 0 : Halt charging (go to fault state) or OTG operation 1 : Charge enabled / Charge resume |
| 5 | RW | OFF STATE, POR, REG_RST, CHGMODE | OTG_EN | 0 | On the go enable: 0 : no OTG operation 1 : OTG operation (set by I2C or OTG pin) |
| 4 | RW | OFF STATE, POR, REG_RST | NTC_EN | 1 | ntc pin operation enable: 0 : Battery temperature ignore, 1 : Battery temperature modify the charge profile. |
| 3 | RW | OFF STATE, POR, REG_RST | TJ_WARN_OPT | 0 | Enable charge current vs Junction temperature 0 : No current change versus junction temperature 1 : Charge current is reduced when TJ is too high. |
| 2 | RW | OFF STATE, POR, REG_RST, OTGMODE | JEITA_OPT | 0 | NTC warning operation enable: 0 : Hold the charge when VNTC > VWARM. 1 : Reduced the charge when VNTC > VWARM. |
| 1 | RW | OFF STATE, POR, REG_RST, TRM_RST | TCHG_RST | 0 | Charge timer reset: 0 : no reset 1 : Reset and resume charge timer(tchg timer) (self clearing) |
| 0 | RW | OFF STATE, POR, REG_RST | INT_MASK | 1 | global interrupt mask 0 : All Interrupts can be active. 1 : All interrupts are not active |

NCP1851, NCP1851A

Table 6. REGISTERS MAP

| Bit | Type | Reset | Name | RST Value | Function |
|-----|------|-------|------|-----------|----------|
|-----|------|-------|------|-----------|----------|

CTRL2 REGISTER – Memory location : 02

| | | | | | |
|---|----|----------------------------------|---------------|---|---|
| 7 | RW | OFF STATE, POR, REG_RST, OTGMODE | WDTO_DIS | 0 | Disable watchdog timer 0: Watchdog timer enable 1: Watchdog timer disable |
| 6 | RW | OFF STATE, POR, REG_RST, OTGMODE | CHGTO_DIS | 0 | Disable charge timer 0: Charge timer enable 1: Charge timer disable |
| 5 | RW | OFF STATE, POR, REG_RST, OTGMODE | PWR_PATH | 0 | Power Path Management: 0: Power Path disable 1: Power Path enable |
| 4 | RW | OFF STATE, POR, REG_RST | TRANS_EN_REG | 1 | Trans pin operation enable: 0 : Trans pin is still off 1 : Trans pin is supply |
| 3 | RW | OFF STATE, POR, REG_RST, OTGMODE | FCTRY_MOD_REG | 0 | Factory mode: 0: Factory mode disable 1: Enable factory mode. |
| 2 | RW | OFF STATE, POR, REG_RST, OTGMODE | IINSET_PIN_EN | 1 | Enable input current set pin: 0: Input current limit and AICL control by I ² C 1: Input current limit and AICL control by pins ILIMx |
| 1 | RW | OFF STATE, POR, REG_RST, OTGMODE | IINLIM_EN | 1 | Enable input current limit: 0: No input current limit 1: Input current limit is IINLIM[3:0] |
| 0 | RW | OFF STATE, POR, REG_RST, OTGMODE | AICL_EN | 0 | Enable automatic charge current: 0: No AICL 1: AICL |

STAT_INT REGISTER – Memory location : 03

| | | | | | |
|-----|--------|----------------------------------|----------|---|--|
| 7-6 | R | No_Reset | RESERVED | | |
| 5 | RCDual | OFF STATE, POR, REG_RST | TWARN | 0 | 0 : Silicon temperature is below TWARN threshold 1 : Silicon temperature is above TWARN threshold |
| 4 | RCDual | OFF STATE, POR, REG_RST | TM1 | 0 | 0 : Silicon temperature is below T1 threshold 1 : Silicon temperature is above T1 threshold |
| 3 | RCDual | OFF STATE, POR, REG_RST | TM2 | 0 | 0 : Silicon temperature is below T2 threshold 1 : Silicon temperature is above T2 threshold |
| 2 | RCDual | OFF STATE, POR, REG_RST | TSD | 0 | 0 : Silicon temperature is below TSD threshold 1 : Silicon temperature is above TSD threshold |
| 1 | RCDual | OFF STATE, REG_RST, POR, OTGMODE | CHGEX | 0 | 0: Input voltage is lower than VINEXT 1: charger in extended range, VIN is higher than VINEXT |
| 0 | RCDual | OFF STATE, REG_RST, POR, OTGMODE | VBUSOK | 0 | 0: charger not in USB range 1: charger in USB charging range VBUSUV < VIN < VBUSOV |

CH1_INT REGISTER – Memory location : 04

| | | | | | |
|-----|--------|----------------------------------|----------|---|--|
| 7-5 | R | No_Reset | RESERVED | 0 | |
| 4 | RCDual | OFF STATE, REG_RST, POR, OTGMODE | VINLO | 0 | VIN changer detection interrupt: 1: VIN - VBAT > VCHGDET and VIN < VINDET |
| 3 | RCDual | OFF STATE, REG_RST, POR, OTGMODE | VINHI | 0 | VIN over voltage lock out interrupt: 1: VIN > VINOV |
| 2 | RCDual | OFF STATE, REG_RST, POR, OTGMODE | BATRMV | 0 | battery temp out of range interrupt: 1: VNTC > VNTCRMV |

NCP1851, NCP1851A

Table 6. REGISTERS MAP

| Bit | Type | Reset | Name | RST Value | Function |
|--|----------|---|---------------|-----------|--|
| CH1_INT REGISTER – Memory location : 04 | | | | | |
| 1 | RCDual | OFF STATE, REG_RST, POR, OTGMODE | BUCKOVP | 0 | VBAT over voltage interrupt: 1: VBAT > VOVP |
| 0 | R | No_Reset | CHINT2 | 0 | charger related interrupt (CH2_INT register) |
| CH2_INT REGISTER – Memory location : 05 | | | | | |
| 7 | RCDual | OFF STATE, REG_RST, POR, OTGMODE | NTCHOT | 0 | Battery Temperature exceeds NTC HOT threshold |
| 6 | RCDual | OFF STATE, REG_RST, POR, OTGMODE | NTCWARM | 0 | Battery Temperature exceeds NTC WARM threshold |
| 5 | RCDual | OFF STATE, REG_RST, POR, OTGMODE | NTCCHILLY | 0 | Battery Temperature is lower than NTC CHILLY threshold |
| 4 | RCDual | OFF STATE, REG_RST, POR, OTGMODE | NTCCOLD | 0 | Battery Temperature is lower than NTC COLD threshold |
| 3 | RCSingle | OFF STATE, POR, REG_RST, TRM_RST, OTGMODE | WDTO | 0 | watchdog timeout expires interrupt: 1: 32s timer expired. |
| 2 | RCSingle | OFF STATE, POR, REG_RST, TRM_RST, OTGMODE | USBTO | 0 | usb timeout expires ininterrupt: 1: 2048s timer expired |
| 1 | RCSingle | OFF STATE, POR, REG_RST, TRM_RST, OTGMODE | CHGTO | 0 | charge timeout expires interrupt: 1: 3600s timer expired |
| 0 | R | No_Reset | CHINT1 | 0 | charger related interrupt (CH1_INT register) |
| BST_INT REGISTER – Memory location : 06 | | | | | |
| 7-3 | R | No_Reset | RESERVED | 00000 | |
| 2 | RCDual | OFF STATE, POR, REG_RST, CHGMODE | VBUSILIM | 0 | vbus overload interrupt: 1: Vbus voltage < VBUSUV |
| 1 | RCDual | OFF STATE, POR, REG_RST, CHGMODE | VBUSOV | 0 | vbus overvoltage interrupt: 1: Vbus voltage < VBUSOV |
| 0 | RCDual | OFF STATE, POR, REG_RST, CHGMODE | VBATLO | 0 | vbat overvoltage interrupt: 1: Vbat voltage < VIBSTL |
| VIN_SNS REGISTER – Memory location : 07 | | | | | |
| 7 | R | No_Reset | VINOVLO_SNS | 0 | VIN over voltage lock out comparator 1: VIN > VINOVL |
| 6 | R | No_Reset | CHEXTD7V_SNS | 0 | VIN extended range comparator 1: VIN > VINEXT |
| 5 | R | No_Reset | VBUSOV_SNS | 0 | VIN not is USB range comparator 1: VIN > VBUSOV |
| 4 | R | No_Reset | VBUSUV_SNS | 0 | VIN not is USB range comparator 1: VIN < VBUSUV |
| 3 | R | No_Reset | VINDET_SNS | 0 | VIN voltage detection comparator 1: VIN > VINDET |
| 2 | R | No_Reset | VCHGDET_SNS | 0 | VIN changer detection comparator 1: VIN – VBAT > VCHGDET |
| 1 | R | No_Reset | VBOOST_UV_SNS | 0 | VIN OTG under voltage comparator 1: VIN < VBUSUV |

NCP1851, NCP1851A

Table 6. REGISTERS MAP

| Bit | Type | Reset | Name | RST Value | Function |
|---|------|-------------------------------------|-----------------|-----------|---|
| VIN_SNS REGISTER – Memory location : 07 | | | | | |
| 0 | R | No_Reset | RESERVED | 0 | |
| VBAT_SNS REGISTER – Memory location : 08 | | | | | |
| 7 | R | No_Reset | NTC_REMOVAL_SNS | 0 | NTC removal comparator: 1: Battery removal, VNTC > VNTCRMV |
| 6 | R | No_Reset | VBAT_OV_SNS | 0 | VBAT over voltage comparator 1: VBAT > VOVP |
| 5 | R | No_Reset | VRECHG_OK_SNS | 0 | VBAT recharge comparator 1: VBAT > VRECHG |
| 4 | R | No_Reset | VFET_OK_SNS | 0 | VBAT weak charge comparator 1: VBAT > VFET |
| 3 | R | No_Reset | VPRE_OK_SNS | 0 | VBAT precharge comparator 1: VBAT > VPRE |
| 2 | R | No_Reset | VSAFE_OK_SNS | 0 | VBAT safe comparator 1: VBAT > VSAFE |
| 1 | R | No_Reset | IEOC_OK_SNS | 0 | End of charge current comparator 1: ICHARGE > IEOC |
| 0 | R | No_Reset | RESERVED | 0 | |
| TEMP_SNS REGISTER – Memory location : 09 | | | | | |
| 7 | R | No_Reset | NTC_COLD_SNS | 0 | NTC cold comparator : 1: VNTC < VCOLD |
| 6 | R | No_Reset | NTC_CHILLY_SNS | 0 | NTC warm comparator : 1: VNTC > VCHILLY |
| 5 | R | No_Reset | NTC_WARM_SNS | 0 | NTC hot comparator : 1: VNTC > VHOT |
| 4 | R | No_Reset | NTC_HOT_SNS | 0 | NTC disable comparator : 1: VNTC > VNTCDIS |
| 3 | R | No_Reset | TSD_SNS | 0 | Chip thermal shut down comparator 1: Chip Temp > TSD |
| 2 | R | No_Reset | TM2_SNS | 0 | Chip thermal shut down comparator 1: Chip Temp > tm2 |
| 1 | R | No_Reset | TM1_SNS | 0 | Chip thermal shut down comparator 1: Chip Temp > tm1 |
| 0 | R | No_Reset | TWARN | 0 | Chip thermal shut down comparator 1: Chip Temp > twarn |
| STAT_MSK REGISTER – Memory location : 0A | | | | | |
| 7 | R | No_Reset | RESERVED | 0 | |
| 6 | R | No_Reset | RESERVED | 0 | |
| 5 | RW | OFF STATE, POR, REG_RST | TWARN_MASK | 0 | TWARN interruption mask bit. |
| 4 | RW | OFF STATE, POR, REG_RST | TM1_MASK | 0 | TM1 interruption mask bit. |
| 3 | RW | OFF STATE, POR, REG_RST | TM2_MASK | 0 | TM2 interruption mask bit. |
| 2 | RW | OFF STATE, POR, REG_RST | TSD_MASK | 0 | TSD interruption mask bit. |
| 1 | R | No_Reset | RESERVED | 0 | |
| 0 | RW | OFF STATE, POR, REG_RST, OTGMODE | VBUSOK_MASK | 0 | VBUSOK interruption mask bit. |

NCP1851, NCP1851A

Table 6. REGISTERS MAP

| Bit | Type | Reset | Name | RST Value | Function |
|---|------|----------------------------------|-----------------|-----------|---|
| CH1_MSK REGISTER – Memory location : 0B | | | | | |
| 7–5 | R | No_Reset | RESERVED | 0 | |
| 4 | RW | OFF STATE, POR, REG_RST, OTGMODE | VINLO_MASK | 0 | VINLO interruption mask bit. |
| 3 | RW | OFF STATE, POR, REG_RST, OTGMODE | VINHI_MASK | 0 | VINHI interruption mask bit. |
| 2 | RW | OFF STATE, POR, REG_RST, OTGMODE | BATRMV_MASK | 0 | BATRMV interruption mask bit. |
| 1 | RW | OFF STATE, POR, REG_RST, OTGMODE | BUCKOVP_MASK | 0 | BUCKOVP interruption mask bit. |
| 0 | RW | OFF STATE, POR, REG_RST, OTGMODE | STATECHG_MASK | 0 | State transition interruption mask bit. |
| CH2_MSK REGISTER – Memory location : 0C | | | | | |
| 7 | RW | OFF STATE, POR, REG_RST, OTGMODE | NTCHOT_MASK | 0 | NTCHOT interruption mask bit. |
| 6 | RW | OFF STATE, POR, REG_RST, OTGMODE | NTCWARM_MASK | 0 | NTCWARM interruption mask bit. |
| 5 | RW | OFF STATE, POR, REG_RST, OTGMODE | NTCCHILLY_MASK | 0 | NTCCHILLY interruption mask bit. |
| 4 | RW | OFF STATE, POR, REG_RST, OTGMODE | NTCCOLD_MASK | 0 | NTCCOLD interruption mask bit. |
| 3 | RW | OFF STATE, POR, REG_RST, OTGMODE | WDTO_MASK | 1 | WDTO interruption mask bit. |
| 2 | RW | OFF STATE, POR, REG_RST, OTGMODE | USBTO_MASK | 1 | USBTO interruption mask bit. |
| 1 | RW | OFF STATE, POR, REG_RST, OTGMODE | CHGTO_MASK | 1 | CHGTO interruption mask bit. |
| 0 | R | No_Reset | RESERVED | 0 | |
| BST_MSK REGISTER – Memory location : 0D | | | | | |
| 7–4 | R | No_Reset | RESERVED | 0 | |
| 3 | RW | OFF STATE, POR, REG_RST, OTGMODE | VBUSILIM_MASK | 1 | VBUSILIM interruption mask bit. |
| 2 | RW | OFF STATE, POR, REG_RST, OTGMODE | VBUSOV_MASK | 1 | VBUSOV interruption mask bit. |
| 1 | RW | OFF STATE, POR, REG_RST, OTGMODE | VBATLO_MASK | 1 | VBATLO interruption mask bit. |
| 0 | RW | OFF STATE, POR, REG_RST, OTGMODE | STATEOTG_MASK | 1 | STATEOTG interruption mask bit. |
| VBAT_SET REGISTER – Memory location : 0E | | | | | |
| 7–6 | R | No_Reset | RESERVED | 00 | |
| 0–5 | RW | OFF STATE, POR, REG_RST, OTGMODE | CTRL_VBAT [5:0] | 001100 | 00000: 3.3 V 001100: 3.6 V 110000: 4.5 V Step: 0.025 V |
| IBAT_SET REGISTER – Memory location : 0F | | | | | |
| 7 | R | No_Reset | RESERVED | 0 | |
| 6–4 | RW | OFF STATE, POR, REG_RST, OTGMODE | IEOC[2:0] | 010 | 000: 100 mA 010: 150 mA 111: 275 mA Step: 25 mA |

NCP1851, NCP1851A

Table 6. REGISTERS MAP

| Bit | Type | Reset | Name | RST Value | Function |
|---|------|----------------------------------|----------------|-----------|--|
| IBAT_SET REGISTER – Memory location : 0F | | | | | |
| 3-0 | RW | OFF STATE, POR, REG_RST, OTGMODE | ICHG[3:0] | 0110 | Output range current programmable range: 0000: 400 mA 1100: 1.6 A Step: 100 mA |
| MISC_SET REGISTER – Memory location : 10 | | | | | |
| 7 | R | No_Reset | RESERVED | 0 | |
| 6-5 | RW | OFF STATE, POR, REG_RST, OTGMODE | IWEAK[1:0] | 01 | Charge current during weak battery states: 00: Disable 01: 100 mA 10: 200 mA 11: 300 mA |
| 4-2 | RW | OFF STATE, POR, REG_RST, OTGMODE | CTRL_VFET[2:0] | 011 | Battery to system re-connection threshold: 000: 3.1 V 001: 3.2 V 010: 3.3 V 011: 3.4 V 100: 3.5 V 101: 3.6 V |
| 1-0 | RW | OFF STATE, POR, REG_RST, OTGMODE | IINLIM[2:0] | 00 | Input current limit range: 00: 100 mA 01: 500 mA 10: 900 mA 11: 1500 mA |
| NTC_SET1 REGISTER – Memory location : 11 | | | | | |
| 7-4 | R | No_Reset | RESERVED | 000 | |
| 3-2 | RW | OFF STATE, POR, REG_RST, OTGMODE | VCHRED[1:0] | 10 | Charge voltage reduction according to battery temperature: 00: 000 mV 01: 100 mV 10: 200 mV 11: 300 mV |
| 1-0 | RW | OFF STATE, POR, REG_RST, OTGMODE | ICHRED[1:0] | 00 | Charge current reduction according to battery temperature: 00: 400 mA 01: 500 mA 10: 600 mA 11: 700 mA |
| NTC_SET2 REGISTER – Memory location : 12 | | | | | |
| 7-5 | RW | OFF STATE, POR, REG_RST, OTGMODE | BATCOLD[2:0] | 101 | Cold battery temperature threshold: 101: 1.725 V Step: 0.146 V |
| 4-2 | RW | OFF STATE, POR, REG_RST, OTGMODE | BATHOT[2:0] | 011 | Hot battery temperature threshold: 011: 0.525 V Step: 0.146 V |
| 1 | | OFF STATE, POR, REG_RST, OTGMODE | BATCHILLY | 0 | Chilly battery temperature threshold: 0: $V_{CHILLY} + 0.146 V$ 1: $V_{CHILLY} + 0.219 V$ |
| 0 | RW | OFF STATE, POR, REG_RST, OTGMODE | BATWARM | 0 | Warm battery temperature threshold: 0: $V_{WARM} - 0.146 V$ 1: $V_{WARM} - 0.219 V$ |

NCP1851, NCP1851A

APPLICATION INFORMATION

Components Selection

Inductor L1

NCP1851 is recommended to be used with 2.2 μH inductor. Below will give inductor ripple and maximum current for 2 different application cases knowing the following relation:

$$\Delta I_L = V_{BAT} \times \left(1 - \frac{V_{BAT}}{V_{IN}}\right) \times \frac{1}{L1 \times F_{SWCHG}}$$

The worst case is when $V_{BAT} - \frac{V_{BAT}^2}{V_{IN}}$ is maximum

$$\text{so when } V_{BAT} = \frac{V_{IN}}{2}$$

$$\Delta I_{LMAX} = \frac{V_{IN}}{4} \cdot \frac{1}{L1 \cdot F_{SWCHG}}; I_{PEAKMAX} = I_{CHG} + \frac{\Delta I_{LMAX}}{2}$$

Capacitor C6

A 10 μF output capacitor is recommended for proper operation and design stability. The bandwidth of the system is defined by the following relation:

$$F_{BW} = \frac{1}{2\pi \times \sqrt{L1 \times C6}} = 33 \text{ kHz}$$

The bandwidth is recommended to be high enough in case of application with a BATFET because the system can be directly connected to the buck output. And in this case, the battery does not play any role upon a load transient as it's disconnected from the buck converter.

USB dedicated charge

$$\begin{aligned} V_{IN} &= 5 \text{ V} \\ V_{CHG} &= 4.2 \text{ V} \\ I_{CHG} &= 1.5 \text{ A} \\ L1 &= 2.2 \mu\text{H} \\ \Delta I_{L1} &= 0.189 \text{ A} \\ I_{PEAKMAX} &= 1.59 \text{ A} \end{aligned}$$

AC adaptor charge

$$\begin{aligned} V_{IN} &= 16 \text{ V} \\ V_{CHG} &= 4.2 \text{ V} \\ I_{CHG} &= 1.5 \text{ A} \\ L1 &= 2.2 \mu\text{H} \\ \Delta I_{L1} &= 0.6 \text{ A} \\ I_{PEAKMAX} &= 1.8 \text{ A} \end{aligned}$$

Resistance R1

R₁ (charge current sense resistor) resistor is determined by considering thermal constrain as its value is 68 mΩ typical. The power dissipation is given by:

$$P_{R1} = R_1 \times (I_{CHG})^2$$

The worst case is I_{CHG} = 1.5 A so P_{R1} = 0.153 W.

BILL OF MATERIAL

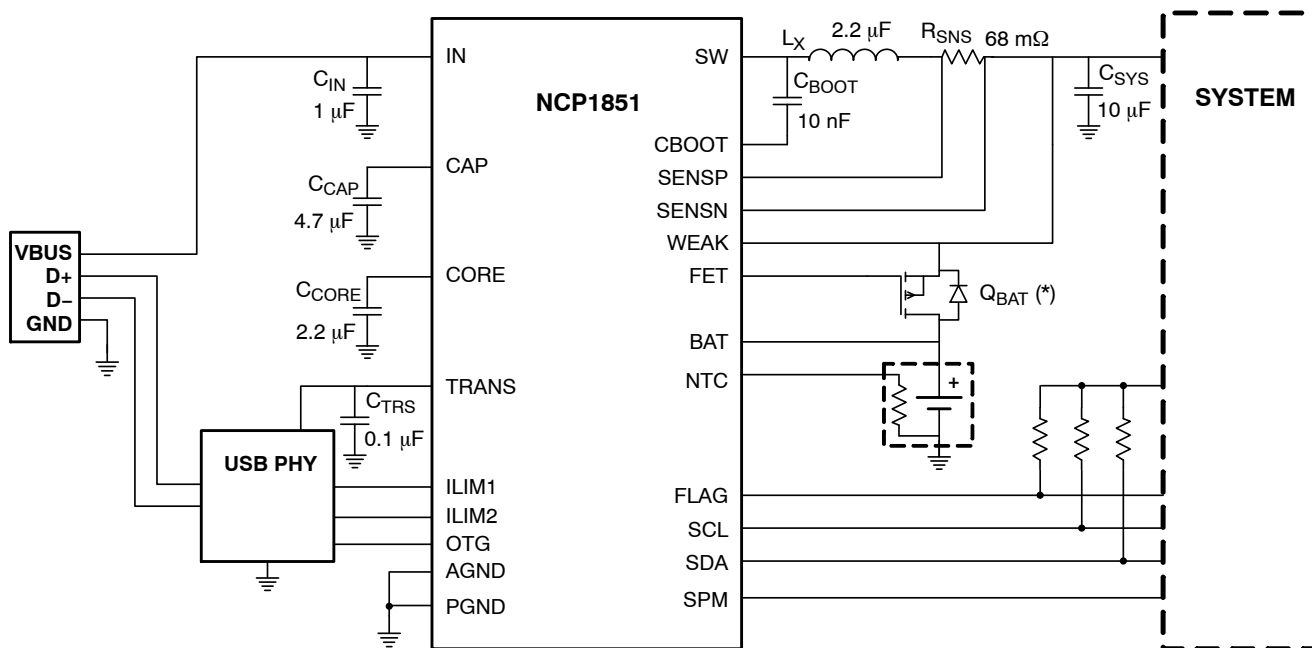


Figure 23. NCP1851 Typical Application Example

NCP1851, NCP1851A

| Item | Part Description | Ref | Value | PCB Footprint | Manufacturer | Manufacturer Reference |
|------|-----------------------------|-------------------|---------------|---------------|--------------|------------------------|
| 1 | Ceramic Capacitor 25 V X5R | C _{IN} | 1 μ F | 0603 | MURATA | GRM188R61E105K |
| 2 | Ceramic Capacitor 25 V X5R | C _{CAP} | 4.7 μ F | 0805 | MURATA | GRM21BR61E475KA12L |
| 3 | Ceramic Capacitor 6.3 V X5R | C _{CORE} | 2.2 μ F | 0402 | MURATA | GRM155R60J225M |
| 4 | Ceramic Capacitor 6.3 V X5R | C _{TRS} | 0.1 μ F | 0402 | MURATA | GRM155R60J104K |
| 5 | Ceramic Capacitor 10 V X5R | C _{BOOT} | 10 nF | 0402 | MURATA | GRM155R60J103K |
| 6 | Ceramic Capacitor 6.3 V X5R | C _{OUT} | 10 μ F | 0603 | MURATA | GRM188R60J106M |
| 7 | SMD Inductor | L _X | 2.2 μ H | 3012 | TDK | VLS3012T-2R2M1R5 |
| 8 | SMD Resistor 0.25 W, 1% | R _{SNS} | 68 m Ω | 0603 | PANASONIC | ERJ3BWFR068V |
| 9 | Power channel P-MOSFET | Q _{BAT} | 30 m Ω | UDFN 2*2mm | ONSEMI | NTLUS3A40PZ |

PCB Layout Consideration

Particular attention must be paid with C_{CORE} capacitor as it's decoupling the supply of internal circuitry including gate driver. This capacitor must be placed between CORE pin and PGND pin with a minimum track length.

The high speed operation of the NCP1851 demands careful attention to board layout and component placement. To prevent electromagnetic interference (EMI) problems, attention should be paid specially with components C_{IN}, L_X, C_{CAP} and C_{OUT} as they constitute a high frequency current loop area. The power input capacitor C_{IN}, connected from IN to PGND, should be placed as close as possible to the NCP1851. The output inductor L_X and the output capacitor C_{OUT} connected between R_{SNS} and PGND should be placed close to the IC. C_{CAP} capacitor should also be placed as close as possible to CAP and PGND pin.

The high current charge path through IN, CAP, SW, inductor L1, Resistor R1, optional BAFTET, and battery pack must be sized appropriately for the maximum charge current in order to avoid voltage drops in these traces. An I_{WEAK} current can flow through WEAK and BAT traces which defines the appropriate track width.

It's suggested to keep as complete ground plane under NCP1851 as possible. PGND and AGND pin connection must be connected to the ground plane.

Care should be taken to avoid noise interference between PGND and AGND. Finally it is always good practice to keep the sensitive tracks such as feedbacks connections (SENSP, SENSN, BAT) away from switching signal connections by laying the tracks on the other side or inner layer of PCB.

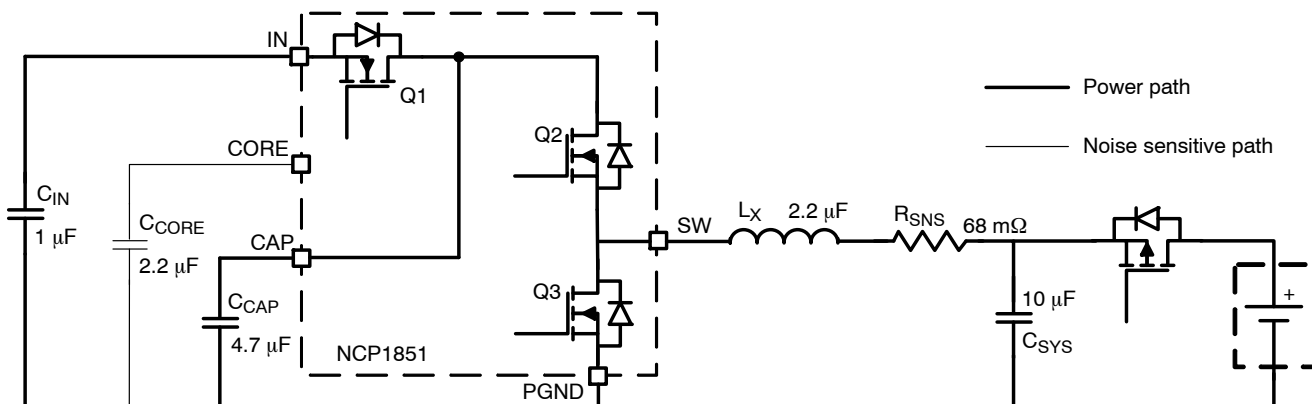


Figure 24. NCP1851 Power Path

ORDERING INFORMATION

| Part Number | Specific Device Code | V _{SYSOV} | R _{OBSTOL} | R _{NTCPU} | I ² C address |
|----------------|----------------------|--------------------|---------------------|--------------------|--------------------------|
| NCP1851FCCT1G | 1851 | 7 V | 170 Ω | 10 k Ω | \$6C |
| NCP1851AFCCT1G | 1851A | 7 V | 50 Ω | 10 k Ω | \$6C |

MECHANICAL CASE OUTLINE

PACKAGE DIMENSIONS

ON Semiconductor®

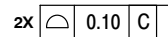
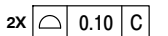
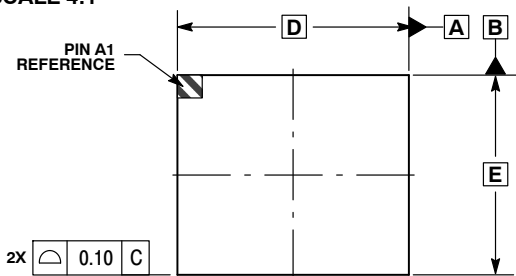


25 Pin Flip-Chip, 2.55x2.20

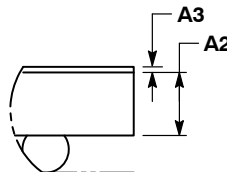
CASE 499BN
ISSUE A

DATE 26 OCT 2011

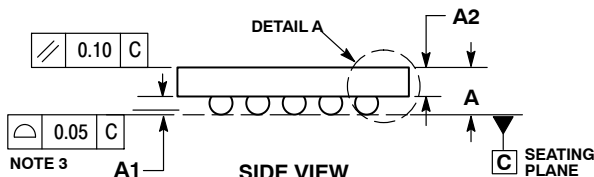
SCALE 4:1



TOP VIEW

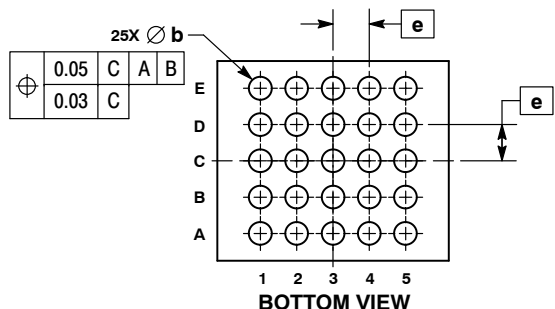


DETAIL A



NOTE 3

SIDE VIEW



BOTTOM VIEW

- NOTES:
1. DIMENSIONING AND TOLERANCING PER ASME Y14.5M, 1994.
 2. CONTROLLING DIMENSION: MILLIMETERS.
 3. COPLANARITY APPLIES TO SPHERICAL CROWNS OF SOLDER BALLS.

| DIM | MILLIMETERS | |
|-----|-------------|------|
| | MIN | MAX |
| A | --- | 0.60 |
| A1 | 0.17 | 0.23 |
| A2 | 0.36 REF | |
| A3 | 0.04 REF | |
| b | 0.24 | 0.29 |
| D | 2.55 BSC | |
| E | 2.20 BSC | |
| e | 0.40 BSC | |

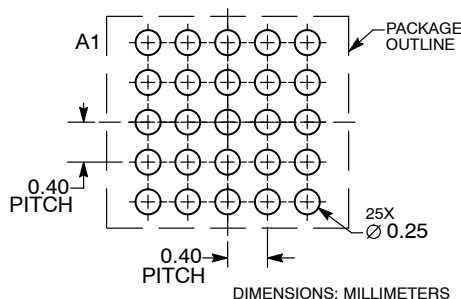
GENERIC MARKING DIAGRAM*



- XXXXXX= Specific Device Code
- A = Assembly Location
- Y = Year
- WW = Work Week
- = Pb-Free Package

*This information is generic. Please refer to device data sheet for actual part marking. Pb-Free indicator, "G" or microdot "▪", may or may not be present.

RECOMMENDED SOLDERING FOOTPRINT*



DIMENSIONS: MILLIMETERS

*For additional information on our Pb-Free strategy and soldering details, please download the ON Semiconductor Soldering and Mounting Techniques Reference Manual, SOLDERRM/D.

| | | |
|-------------------------|------------------------------------|--|
| DOCUMENT NUMBER: | 98AON54510E | Electronic versions are uncontrolled except when accessed directly from the Document Repository. Printed versions are uncontrolled except when stamped "CONTROLLED COPY" in red. |
| DESCRIPTION: | 25 PIN FLIP-CHIP, 2.55X2.20 | PAGE 1 OF 1 |

ON Semiconductor and are trademarks of Semiconductor Components Industries, LLC dba ON Semiconductor or its subsidiaries in the United States and/or other countries. ON Semiconductor reserves the right to make changes without further notice to any products herein. ON Semiconductor makes no warranty, representation or guarantee regarding the suitability of its products for any particular purpose, nor does ON Semiconductor assume any liability arising out of the application or use of any product or circuit, and specifically disclaims any and all liability, including without limitation special, consequential or incidental damages. ON Semiconductor does not convey any license under its patent rights nor the rights of others.

onsemi, **Onsemi**, and other names, marks, and brands are registered and/or common law trademarks of Semiconductor Components Industries, LLC dba "**onsemi**" or its affiliates and/or subsidiaries in the United States and/or other countries. **onsemi** owns the rights to a number of patents, trademarks, copyrights, trade secrets, and other intellectual property. A listing of **onsemi**'s product/patent coverage may be accessed at www.onsemi.com/site/pdf/Patent-Marking.pdf. **onsemi** reserves the right to make changes at any time to any products or information herein, without notice. The information herein is provided "as-is" and **onsemi** makes no warranty, representation or guarantee regarding the accuracy of the information, product features, availability, functionality, or suitability of its products for any particular purpose, nor does **onsemi** assume any liability arising out of the application or use of any product or circuit, and specifically disclaims any and all liability, including without limitation special, consequential or incidental damages. Buyer is responsible for its products and applications using **onsemi** products, including compliance with all laws, regulations and safety requirements or standards, regardless of any support or applications information provided by **onsemi**. "Typical" parameters which may be provided in **onsemi** data sheets and/or specifications can and do vary in different applications and actual performance may vary over time. All operating parameters, including "Typicals" must be validated for each customer application by customer's technical experts. **onsemi** does not convey any license under any of its intellectual property rights nor the rights of others. **onsemi** products are not designed, intended, or authorized for use as a critical component in life support systems or any FDA Class 3 medical devices or medical devices with a same or similar classification in a foreign jurisdiction or any devices intended for implantation in the human body. Should Buyer purchase or use **onsemi** products for any such unintended or unauthorized application, Buyer shall indemnify and hold **onsemi** and its officers, employees, subsidiaries, affiliates, and distributors harmless against all claims, costs, damages, and expenses, and reasonable attorney fees arising out of, directly or indirectly, any claim of personal injury or death associated with such unintended or unauthorized use, even if such claim alleges that **onsemi** was negligent regarding the design or manufacture of the part. **onsemi** is an Equal Opportunity/Affirmative Action Employer. This literature is subject to all applicable copyright laws and is not for resale in any manner.

PUBLICATION ORDERING INFORMATION

LITERATURE FULFILLMENT:

Email Requests to: orderlit@onsemi.com

onsemi Website: www.onsemi.com

TECHNICAL SUPPORT

North American Technical Support:

Voice Mail: 1 800-282-9855 Toll Free USA/Canada

Phone: 011 421 33 790 2910

Europe, Middle East and Africa Technical Support:

Phone: 00421 33 790 2910

For additional information, please contact your local Sales Representative