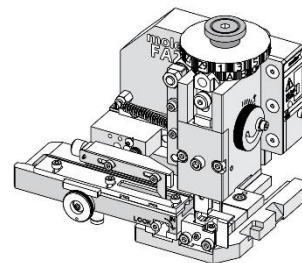


Order Number
63808-2300

molex[®]

Application Tooling Specification



FEATURES

- Applicator designed to industry-standard mounting and 135.80mm (5.346") shut height
- Quick setup time; plus, the crimp height, track and feed adjustments can be set without removing the applicator from the press
- Fine adjustment allows users to achieve target with little effort by adjusting in increments of .015mm (.0006") for conductor crimp height and .025mm (.001") for insulation height
- Independent adjustment rings allow users to quickly adjust the conductor or insulation crimp height without affecting each other
- Directly adapts to most automatic wire processing machines
- This applicator was designed for use in a wire processor only
- Fine adjustment of the bend is achieved using the bend adjust dial

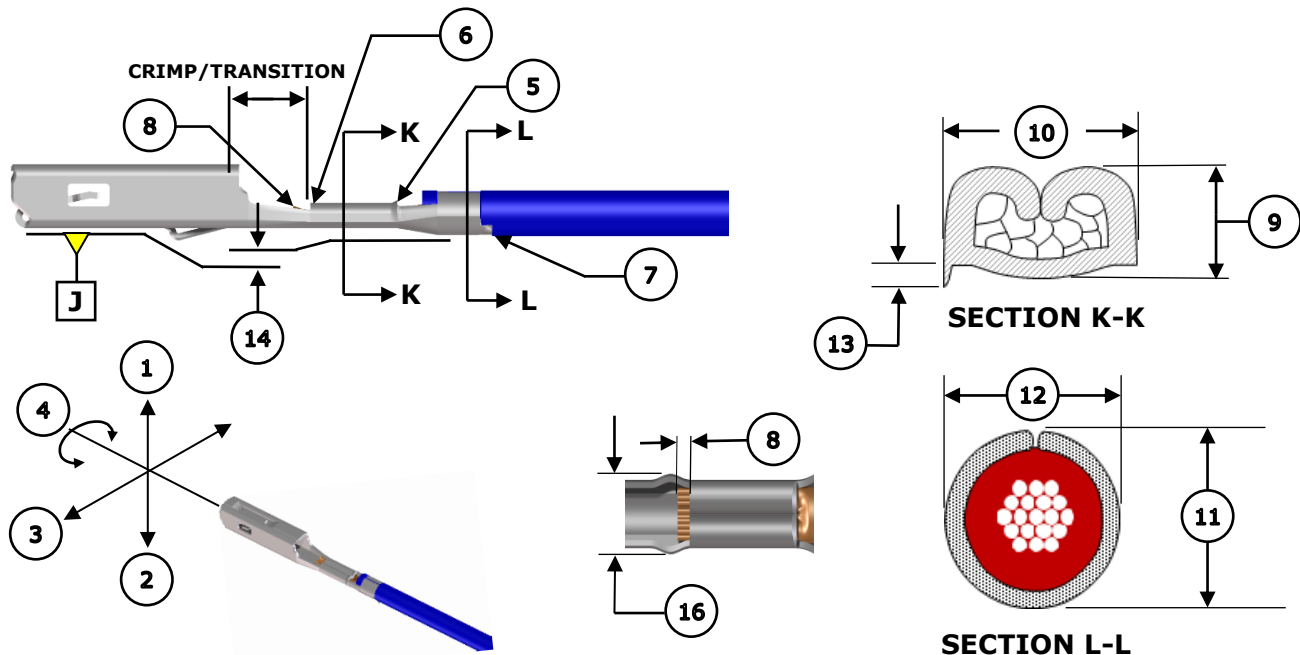
SCOPE

Products: MX150 Mat Seal/Unsealed Receptacle Terminals: 14 AWG, 16 AWG, 1.25mm² and 1.50mm² specific type wires below:

Terminal Series No.	Terminal Order No.	Wire Type and Size		Insulation Diameter		Strip Length (Ref.)	
		Type	Wire Size	mm	In.	mm	In.
33001 33012 34750	33001-3003 33001-3021 33001-5001	M1L-135A1 (UTX)	14 AWG	2.10-2.70	.083-.106	4.70-5.60	.185-.220
	33001-5021	M1L-123A4 (TXL)	16 AWG				
	33012-3001	JASO D611 (AVSS)	1.25mm ²				
	33012-3021 33012-5021 34750-1001	M1L-126A1 FLR91X-A-XLPO EXRAD BLOCKED EXRAD UNBLOCKED PSA FTP 00949_10_00770	1.50mm ²				

CAUTION: This applicator was designed for use in a wire processor only.

DEFINITION OF TERMS



CRIMP SPECIFICATIONS

The following crimp specifications are based on document AS-33012-002 Rev. E:

Feature	Requirement																					
1. Bend Up	3° Max																					
2. Bend Down	3° Max																					
3. Twist	3° Max																					
4. Roll	3° Max																					
5. Rear Bell Mouth	0.30-0.70mm (.012-.028")																					
6. Front Bell Mouth	Not Applicable																					
7. Cut-Off Tab	0.50mm (.020") Max No Burr																					
8. Conductor Brush	0.40mm (.016") Max Not to extend above conductor crimp/transition height																					
Conductor Crimp	<table border="1"> <thead> <tr> <th>Wire Type</th> <th>Wire Size</th> <th>9. Crimp Height</th> <th>10. Crimp Width</th> </tr> </thead> <tbody> <tr> <td>M1L-135A1 (UTX)</td> <td>14 AWG</td> <td>1.60-1.70mm .063-.067 in.</td> <td rowspan="5">2.35-2.55mm .093-.100 in.</td> </tr> <tr> <td>M1L-123A4 (TXL)</td> <td>16 AWG</td> <td>1.30-1.40mm .051-.054 in.</td> </tr> <tr> <td>JASO D611 (AVSS)</td> <td>1.25mm²</td> <td>1.30-1.40mm .051-.054 in.</td> </tr> <tr> <td>MIL-126A1 FLR91X-A-XLPO EXRAD BLOCKED EXRAD UNBLOCKED</td> <td>1.50mm²</td> <td>1.35-1.45mm .053-.057 in.</td> </tr> <tr> <td>PSA FTP 00949_10_00770</td> <td></td> <td>1.40-1.50mm .054-.059 in.</td> </tr> </tbody> </table>	Wire Type	Wire Size	9. Crimp Height	10. Crimp Width	M1L-135A1 (UTX)	14 AWG	1.60-1.70mm .063-.067 in.	2.35-2.55mm .093-.100 in.	M1L-123A4 (TXL)	16 AWG	1.30-1.40mm .051-.054 in.	JASO D611 (AVSS)	1.25mm ²	1.30-1.40mm .051-.054 in.	MIL-126A1 FLR91X-A-XLPO EXRAD BLOCKED EXRAD UNBLOCKED	1.50mm ²	1.35-1.45mm .053-.057 in.	PSA FTP 00949_10_00770		1.40-1.50mm .054-.059 in.	
	Wire Type	Wire Size	9. Crimp Height	10. Crimp Width																		
	M1L-135A1 (UTX)	14 AWG	1.60-1.70mm .063-.067 in.	2.35-2.55mm .093-.100 in.																		
	M1L-123A4 (TXL)	16 AWG	1.30-1.40mm .051-.054 in.																			
	JASO D611 (AVSS)	1.25mm ²	1.30-1.40mm .051-.054 in.																			
MIL-126A1 FLR91X-A-XLPO EXRAD BLOCKED EXRAD UNBLOCKED	1.50mm ²	1.35-1.45mm .053-.057 in.																				
PSA FTP 00949_10_00770		1.40-1.50mm .054-.059 in.																				
Insulation Crimp	<table border="1"> <thead> <tr> <th>Wire Type</th> <th>Wire Size</th> <th>11. Crimp Height</th> <th>12. Crimp Width</th> </tr> </thead> <tbody> <tr> <td>M1L-135A1 (UTX)</td> <td>14 AWG</td> <td>2.60-2.80mm .102-.110 in.</td> <td rowspan="3">2.50-2.70mm .098-.106 in.</td> </tr> <tr> <td>M1L-123A4 (TXL)</td> <td>16 AWG</td> <td>2.30-2.50mm .091-.098 in.</td> </tr> <tr> <td>JASO D611 (AVSS)</td> <td>1.25mm²</td> <td>2.41-2.61mm .095-.103 in.</td> </tr> <tr> <td>MIL-126A1 FLR91X-A-XLPO EXRAD BLOCKED EXRAD UNBLOCKED</td> <td>1.50mm²</td> <td>2.63-2.73mm .104-.107 in.</td> <td rowspan="2">2.63-2.73mm .104-.107 in.</td> </tr> <tr> <td>PSA FTP 00949_10_00770</td> <td></td> <td>2.45-2.55mm .096-.100 in.</td> </tr> </tbody> </table>	Wire Type	Wire Size	11. Crimp Height	12. Crimp Width	M1L-135A1 (UTX)	14 AWG	2.60-2.80mm .102-.110 in.	2.50-2.70mm .098-.106 in.	M1L-123A4 (TXL)	16 AWG	2.30-2.50mm .091-.098 in.	JASO D611 (AVSS)	1.25mm ²	2.41-2.61mm .095-.103 in.	MIL-126A1 FLR91X-A-XLPO EXRAD BLOCKED EXRAD UNBLOCKED	1.50mm ²	2.63-2.73mm .104-.107 in.	2.63-2.73mm .104-.107 in.	PSA FTP 00949_10_00770		2.45-2.55mm .096-.100 in.
	Wire Type	Wire Size	11. Crimp Height	12. Crimp Width																		
	M1L-135A1 (UTX)	14 AWG	2.60-2.80mm .102-.110 in.	2.50-2.70mm .098-.106 in.																		
	M1L-123A4 (TXL)	16 AWG	2.30-2.50mm .091-.098 in.																			
	JASO D611 (AVSS)	1.25mm ²	2.41-2.61mm .095-.103 in.																			
MIL-126A1 FLR91X-A-XLPO EXRAD BLOCKED EXRAD UNBLOCKED	1.50mm ²	2.63-2.73mm .104-.107 in.	2.63-2.73mm .104-.107 in.																			
PSA FTP 00949_10_00770		2.45-2.55mm .096-.100 in.																				

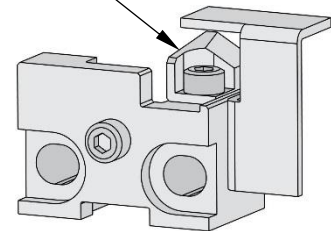
Pull Force	Wire Type	Wire Size	Minimum Force		To be measured with no influence from the insulation crimp.
	M1L-135A1 (UTX)	14 AWG	180 N	40.5 lb.	
	M1L-123A4 (TXL)	16 AWG	120 N	27.0 lb.	
	JASO D611 (AVSS)	1.25mm ²	176.5 N	39.7 lb.	
	MIL-126A1 FLR91X-A-XLPO EXRAD BLOCKED EXRAD UNBLOCKED	1.50mm ²	150 N	33.7 lb.	
PSA FTP 00949_10_00770	155 N		34.8 lb.		
13. Conductor Anvil Flash	0.1mm (.004") Max				
14. Insulation Grip Step	0.20-0.40mm (.008-.016") from Datum J				
15. Conductor Grip Step	0.00±0.10mm (.000±.004") from Datum J				
16. Crimp Bulge	2.55mm (.100") Max within the crimp/transition area				

NOTES

Applicator Notes

- This applicator is for automatic wire processor use only.
- This applicator does not include a cutting insert.
- Installing a cutting insert will cause jamming in this applicator.

CUTTING INSERT



Specification Notes

- It is very important that the brush length is consistently within specification for this sealed connector system to work properly.
- This applicator should only be run in a properly set up wire processor to consistently achieve the brush length.

General Notes

1. Molex recommends that an extra perishable tooling kit be maintained at your facility.
2. Verify tooling alignment by hand cycling the press and applicator before crimping under power. Check that all screws are tight.
3. Slugs, terminals, dirt and oil should be kept clear of the work area.
4. Wear safety glasses at all times.
5. For recommended maintenance, refer to the FA2 manual (TM-638080200).
6. Molex recommends crimping stranded copper wire only.
7. Lubrication must be used when crimping gold and select gold terminals to prevent terminals from sticking in the conductor punch. Use 63801-7240 oiler or equivalent.

WARNINGS

CAUTION: This applicator must be installed in a press with a standard shut height of 135.80mm (5.346"). Tooling damage could result at a lower setting.

CAUTION: To prevent injury, never operate this applicator without the guards supplied with the press or wire-processing machine in place. Reference the press or wire processing manufacturer's instruction manual.

CAUTION: Molex tooling crimp specifications are valid only when used with Molex terminals and tooling manufactured by Molex and sold by Molex or authorized distributors ("Molex Tooling"). When using tooling other than Molex Tooling with Molex-specific connector systems listed in our ATS documents, the Molex Tooling qualification does not apply, and the responsibility for full qualification of the connector system is that of the customer. Molex accepts no liability for connector performance or tooling support where tooling other than Molex Tooling is used or where Molex Tooling is modified.

PARTS LIST

Applicator 63808-2300				
Item	Order No.	Engineering No.	Description	Quantity
Perishable Tooling				
	63808-2370	63808-2370	Tool Kit (All "Y" Items)	REF
1	63454-0165	63454-0165	Insulation Punch	1 Y
2	63457-0116	63457-0116	Conductor Punch	1 Y
3	63456-0113	63456-0113	Insulation Anvil	1 Y
4	63455-0143	63455-0143	Conductor Anvil	1 Y
5	63443-0034	63443-0034	Cut-Off Plunger	1 Y
Other Components				
6	63443-0128	63443-0128	Front Plunger Retainer	1
7	11-24-1067	4996-4	Cut-Off Plunger Spring	1
8	63443-0117	63443-0117	Front Scrap Chute	1
9	63443-7505	63443-7505	Anvil Mount	1
10	63443-0090	63443-0090	Wire Stop	1
11	63443-3601	63443-3601	Front Plunger Striker	1
12	63443-3702	63443-3702	Front Plunger Striker Screw	1
13	63600-5776	63600-5776	Nose Hold Down	1
14	63600-5775	63600-5775	Nose Hold Down Shank	1
15	63443-4711	63443-4711	Terminal Guide	1
16	63808-0229	63808-0229	Bend Adjust Dial	1
17	63808-0220	63808-0220	Hold Down Block	1
18	63808-0297	63808-0297	Feed Cam	1
19	63868-2008	63868-2008	Checking Aid †	0
Frame				
20	63808-0200	63808-0200	Applicator Core	1
21	63808-0190	63808-0190	Track Assembly	1
22	63808-0197	63808-0197	Mechanical Feed Assembly	1
Hardware				
23	—	—	M3 Inner Tooth Lock Washer	1*
24	—	—	M3 by 12 Long SHCS	1*
25	—	—	M4 by 6 Long SHCS	1*
26	—	—	M4 by 8 Long SHCS	2*
27	—	—	M4 by 50 Long SHCS	2*
28	—	—	M5 by 12 Long SHCS	1*
29	—	—	M2.5 by 4 Long SHCS	1*
30	—	—	#10-32UNF by .25" Long SHCS	1*
31	—	—	M3 by 3 Long Flat Point SSS	2*
32	—	—	M4 by 6 Long Flat Point SSS	1*
33	—	—	M3 Flat Washer Hard	1*
34	—	—	M3 Hex Nut	1*
*Fastener parts can be purchased through most industrial suppliers by using the description in the table above.				

† The Crimped Terminal Checking Aid (63868-2008) can be ordered separately if required. (This item is not included with the Applicator and is shown for reference purposes only.)

ASSEMBLY DRAWING

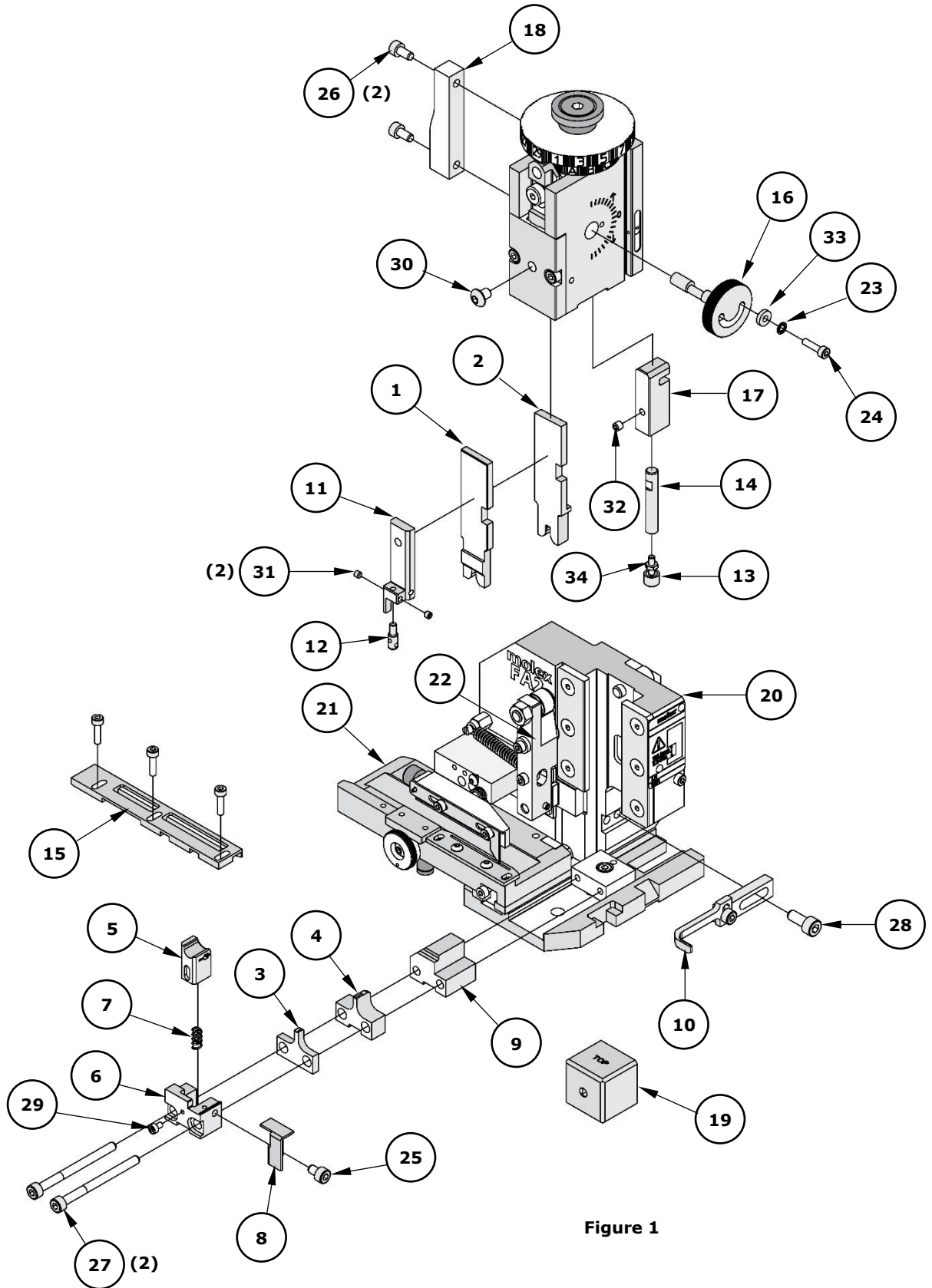


Figure 1

FACTORY SETTINGS

Feed Pawl Assembly

The FA2 applicator number 638082300 ships with the following factory settings. See Figure 2:

- The feed pawl shaft and M3 screw that holds the feed pawl spring are in position 3.
- The pin is in position B.

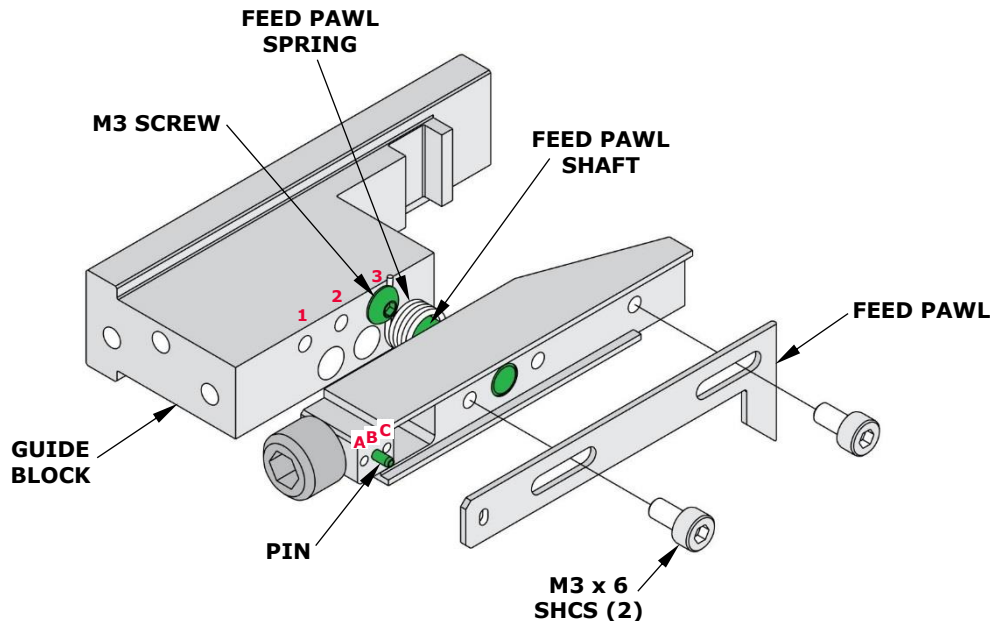


Figure 2

Note: Each applicator is configured and tested by Molex prior to shipping, and the above settings were used to produce the included sample crimps.

Third Dial/Ram Assembly

○ Indicates item number on the Parts List and Assembly Drawing

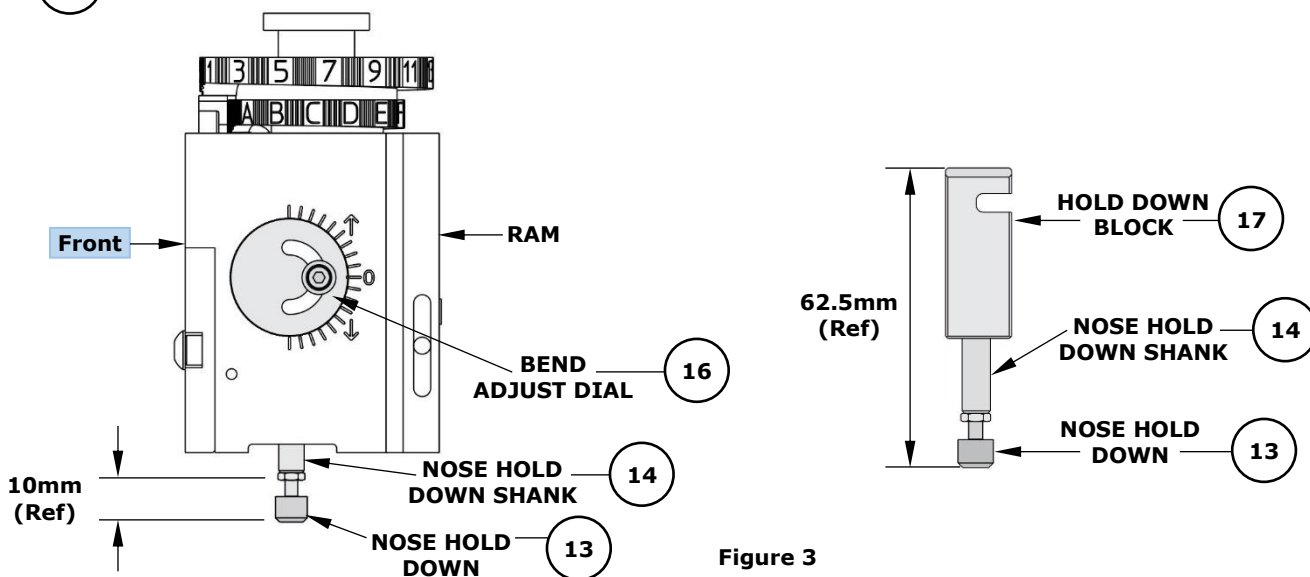


Figure 3

Note: The above dimensions were measured during setup and are included as a reference only. Additional adjustments may be required before crimping for production.

Mounting Datum Location

This applicator was assembled and tested by Molex with the mounting datum in the location shown in Figure 4. Do not remove the mounting datum.

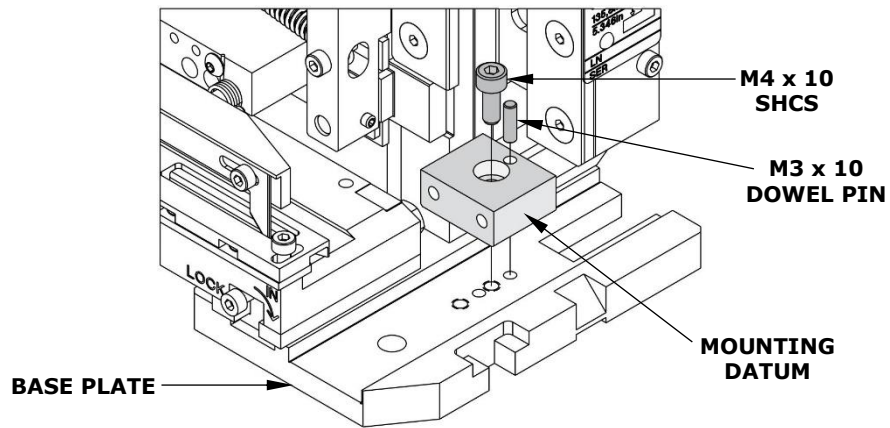


Figure 4

Application Tooling Support

Phone: (402) 458-TOOL (8665)
E-Mail: applicationtooling@molex.com
Website: www.molex.com/applicationtooling

Molex is a registered trademark of Molex, LLC in the United States of America and may be registered in other countries; all other trademarks listed herein belong to their respective owners.