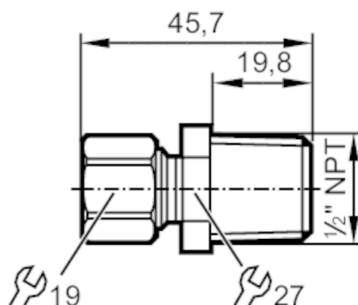


E30024



Progressive ring fitting

PROGRESSIVE RG FITTING D10 NPT



CRN

Application	
Installation	Progressive ring fitting
Pressure rating [bar]	50
Tests / approvals	
Pressure Equipment Directive	A possible classification to PED depends on the application and has to be carried out by the user / operator.
Pressure Equipment Directive EAC	The adapter is intended for use in devices, machines and installations that do not fall under the categories of the technical rule TR CU 032/2013.
Safety instructions	The compatibility between medium and product material has to be checked in all applications.
Mechanical data	
Weight [g]	84.9
Materials	stainless steel (1.4571/316Ti)
Sensor connection	Ø 10 mm
Process connection	threaded connection 1/2" NPT
Remarks	
Pack quantity	1 pcs.