

## Han K 8/0 Pos. M Insert 100 Amp. 10-25mm

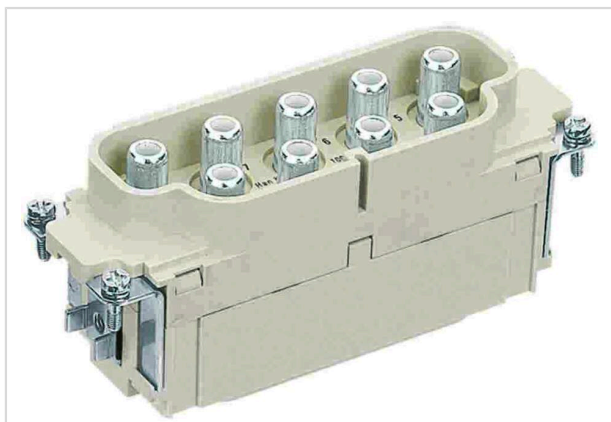


Image is for illustration purposes only. Please refer to product description.

Part number	09 38 008 2653
Specification	Han K 8/0 Pos. M Insert 100 Amp. 10-25mm
HARTING eCatalogue	<a href="https://b2b.harting.com/09380082653">https://b2b.harting.com/09380082653</a>

### Identification

Category	Inserts
Series	Han-Com®
Identification	Han® K 8/0

### Version

Termination method	Axial screw termination
Gender	Male
Size	24 B
Number of contacts	8
PE contact	Yes

### Technical characteristics

Conductor cross-section	10 ... 25 mm <sup>2</sup>
Wire outer diameter	≤11.4 mm
Rated current	100 A
Rated voltage	690 V
Rated impulse voltage	8 kV
Pollution degree	3
Rated current acc. to UL	82 A
Rated voltage acc. to UL	600 V
Rated current acc. to CSA	100 A
Rated voltage acc. to CSA	600 V
Insulation resistance	>10 <sup>10</sup> Ω



Pushing Performance  
 Since 1945

## Technical characteristics

Contact resistance	≤0.5 mΩ
Stripping length	13 ... 14 mm
Tightening torque	6 Nm @ 10 mm <sup>2</sup>
	6 Nm @ 16 mm <sup>2</sup>
	7 Nm @ 25 mm <sup>2</sup>
Limiting temperature	-40 ... +125 °C
Mating cycles	≥500

## Material properties

Material (insert)	Polycarbonate (PC)
Colour (insert)	RAL 7032 (pebble grey)
Material (contacts)	Copper alloy
Surface (contacts)	Silver plated
Material flammability class acc. to UL 94	V-0
RoHS	compliant with exemption
RoHS exemptions	6(c): Copper alloy containing up to 4 % lead by weight
ELV status	compliant with exemption
China RoHS	50
REACH Annex XVII substances	Not contained
REACH ANNEX XIV substances	Not contained
REACH SVHC substances	Yes
REACH SVHC substances	Lead
ECHA SCIP number	5dbb3851-b94e-4e88-97a1-571845975242
California Proposition 65 substances	Yes
California Proposition 65 substances	Lead Nickel
Fire protection on railway vehicles	EN 45545-2 (2020-08)
Requirement set with Hazard Levels	R22 (HL 1-3)
	R23 (HL 1-3)

## Specifications and approvals

Specifications	IEC 60664-1
	IEC 61984
Approvals	DNV GL



**Pushing Performance**  
Since 1945

## Specifications and approvals

UL / CSA	UL 1977 ECBT2.E235076 CSA-C22.2 No. 182.3 ECBT8.E235076
----------	--

## Commercial data

Packaging size	1
Net weight	304.75 g
Country of origin	Romania
European customs tariff number	85366990
GTIN	5713140056305
eCl@ss	27440205 Contact insert for industrial connectors