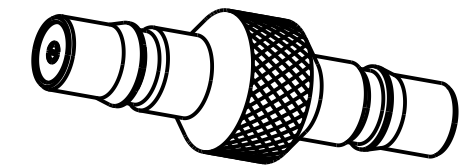


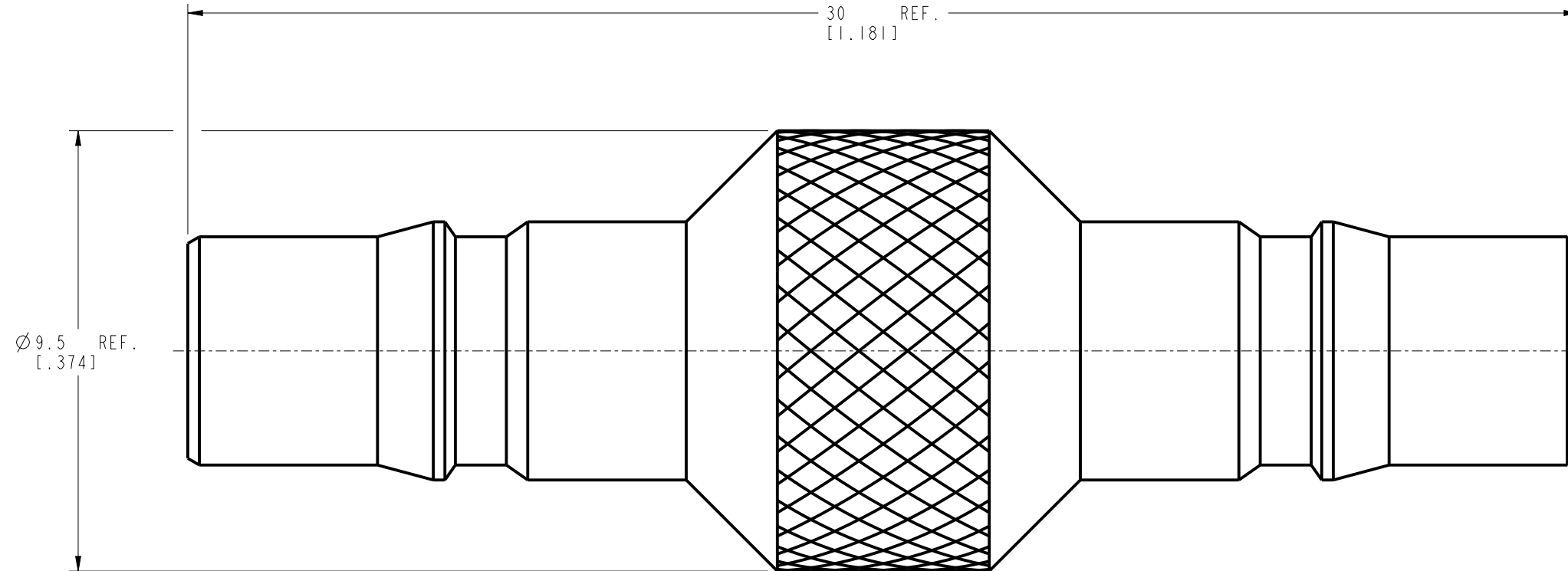
NOTES:

1. MATERIALS AND FINISHES:
 BODY - BRASS, NICKEL PLATING
 CONTACT - BeCu, GOLD PLATING
 INSULATOR - PTFE, NATURAL
2. ELECTRICAL:
 A. IMPEDANCE: 50 OHM
 B. FREQUENCY RANGE: DC-18 GHz
 C. VSWR: 1.15 MAX. DC-18 GHz
 D. DIELECTRIC WITHSTANDING VOLTAGE: 1000 VRMS, MIN.
3. MECHANICAL:
 A. DURABILITY: 100 CYCLES MIN.
 B. TEMPERATURE RANGE: -65°C TO 165°C
4. PACKAGING:
 A. QUANTITY: SINGLE PACK
 B. MARKING: PACKAGING TO BE MARKED
 "AMPHENOL RF, AD-QMAJQMAJ-1, AND DATE CODE"

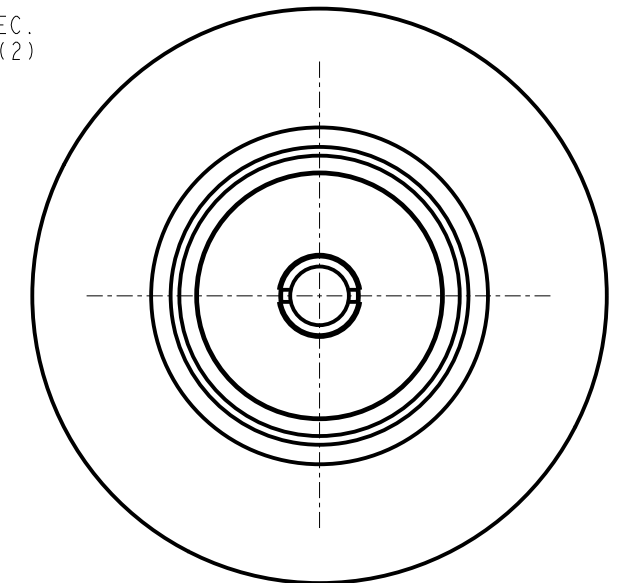
REVISIONS				
REV	DESCRIPTION	DATE	ECN	BY
A	INITIAL RELEASE	11/6/2020	15392	MM



SCALE 2.000



INTERFACE PER
 AMPHENOL RF SPEC.
 349-50692 TYP (2)



CUSTOMER OUTLINE DRAWING
 ALL OTHER SHEETS ARE FOR INTERNAL USE ONLY

NOTICE: These drawings, specifications, or other data (1) are, and remain the property of Amphenol corp. (2) must be returned upon request; and (3) are confidential and not to be disclosed to any person other than those to whom they are given by Amphenol Corp. The furnishing of these drawings, specifications, or other data by Amphenol Corp., or to any other person to anyone for any purpose is not to be regarded by implication or otherwise in any manner licensing, granting rights to permitting such holder or any other person to manufacture, use or sell any product, process or design, patented or otherwise, that may in any way be related to or disclosed by said drawings, specifications, or other data.

UNLESS OTHERWISE SPECIFIED
 DIMENSIONS ARE METRIC (INCHES) AND TOLERANCES ARE:
 <0.5mm = ±0.05mm [$<0.020 = \pm 0.002$]
 >0.5 - 6mm = ±0.1mm [$>0.020 - 0.236 = \pm 0.004$]
 >6.00 - 30mm = ±0.2mm [$>0.236 - 1.181 = \pm 0.008$]
 >30.00 - 120mm = ±0.3mm [$>1.181 - 4.725 = \pm 0.012$]

MATERIAL

 TITLE
 ADAPTER
 QMA JACK TO QMA JACK
 ENGINEER
 MICHAEL MISCHKE
 DATE
 11/5/2020

SHEET NO. 2 OF 2
 SCALE: 8.0:1.0

Amphenol RF
 DRAWING NO. AD-QMAJQMAJ-1
 ITEM NO. AD-QMAJQMAJ-1
 PART NO. AD-QMAJQMAJ-1
 REV
A

THIRD ANGLE PROJ.

REFERENCE

 EAR#
 9051

ANGLES = ±1°

SCALE: 8.0:1.0

SCALE: 8.0:1.0

SCALE: 8.0:1.0