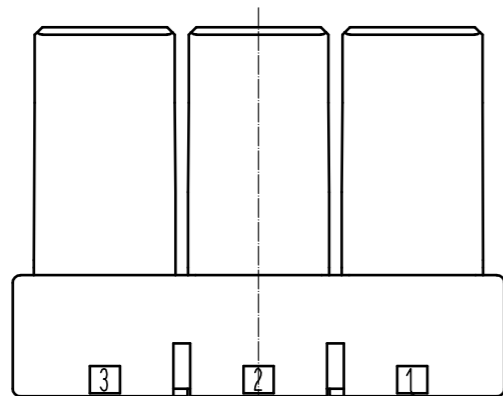
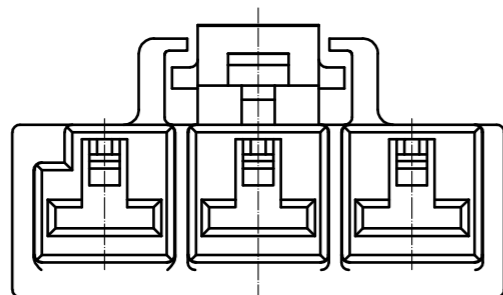
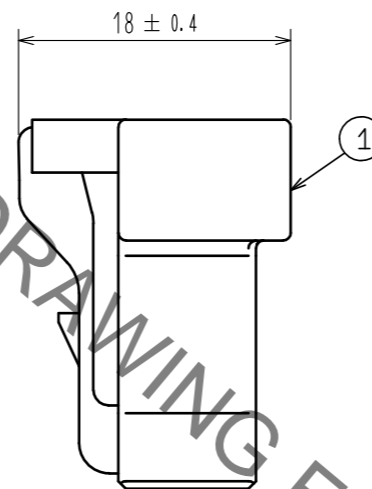
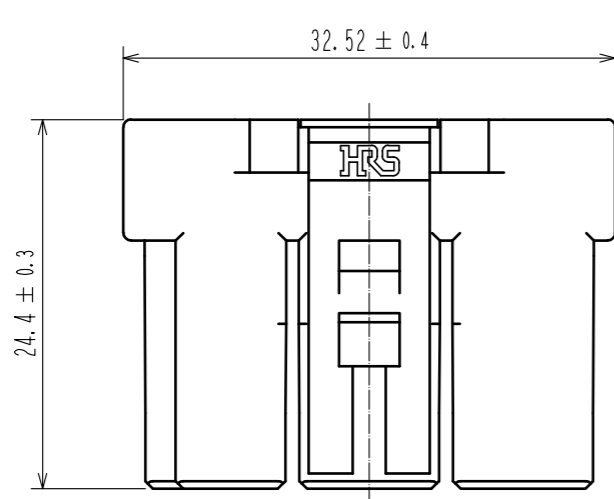
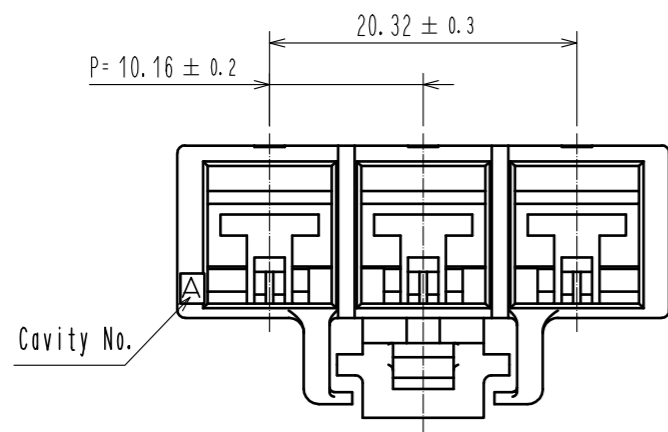


May.1.2023 Copyright 2023 HIROSE ELECTRIC CO., LTD. All Rights Reserved.
 In case of consideration for using Automotive equipment / device which demand high reliability, kindly contact our sales window correspondents.



Number of Contact

HRS DRAWING FOR REFERENCE

Notes 1. Per Pack : 100 Pieces
 2. ULC(File No. E52653)
 C-UL(File No. E52653)
 TUV (Certificate No. R50244085) authorization article.



NO.	MATERIAL	FINISH . REMARKS	NO.	MATERIAL	FINISH . REMARKS		
			1	PBT	Black, UL94V-0		
UNITS	SCALE	COUNT	DESCRIPTION OF REVISIONS		DESIGNED	CHECKED	DATE
mm	2 : 1	△					
APPROVED : HS. OKAWA			17.03.29	DRAWING NO.		EDC-374736-00-00	
CHECKED : TS. FUKUSHIMA			17.03.29	PART NO.		DF60A-3S-10.16C	
DESIGNED : TS. KUMAZAWA			17.03.29	CODE NO.		CL680-3060-0-00	
DRAWN : TS. KUMAZAWA			17.03.29			△ 1/1	