

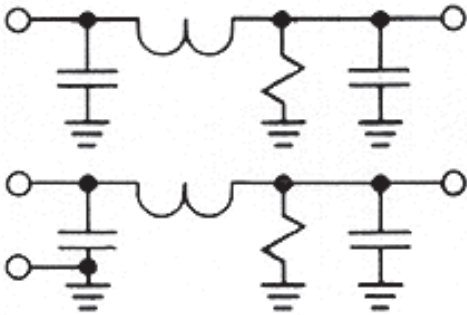
DC

HIGH PERFORMANCE DC POWER FILTER

FEATURES

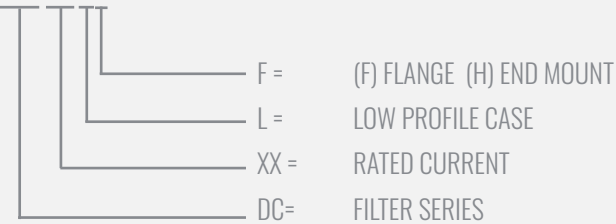
- » Rated currents include **1A, 2A, 2.2A, 5A, 10A, 12A, 16A and 30A**
- » Single Stage Line Filter
- » Available **S** (studs) option
- » High Performance Design
- » Effective attenuation of switch mode converter & regulator
- » Flange Mount Available
- » Y-cap value can be adjusted to fit specification

ELECTRICAL SCHEMATIC



HOW TO ORDER

DC XX LF



NOTE: USE ANY COMBINATION OF -X (AMPS) WITH ANY -Y RATINGS
E.G. **DC100 LF**(100 AMPS, LOW PROFILE CASE, FLANGE MOUNT)



SPECIFICATIONS

MAX. OPERATING VOLTAGE 60VAC +10%
TERMINALS (-T) STUDS: 5/16-18 (100A)

TYP. WEIGHT, LBS (KG) 9.75 (4.42)

LEAKAGE CURRENT
@ 250 VAC 60 Hz Contact Factory

HIPOT RATINGS
LINE TO GROUND 150 VDC - 200 VDC

TYPICAL APPLICATIONS

- ✓ High power rectifiers
- ✓ Uninterrupted power supplies
- ✓ Inverters
- ✓ VFD
- ✓ PWM

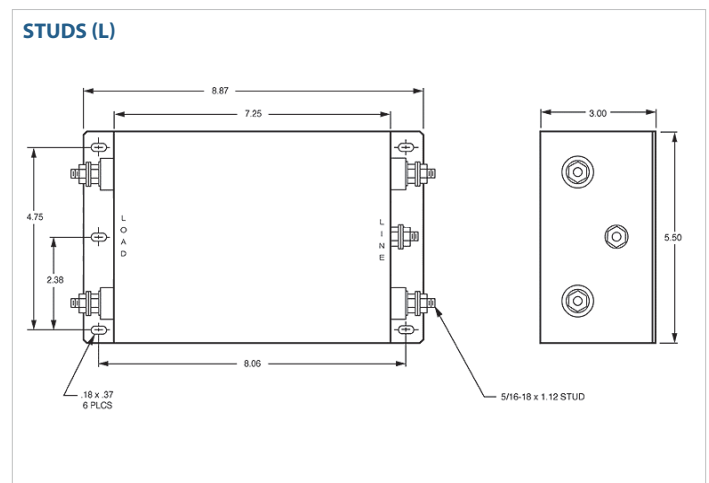
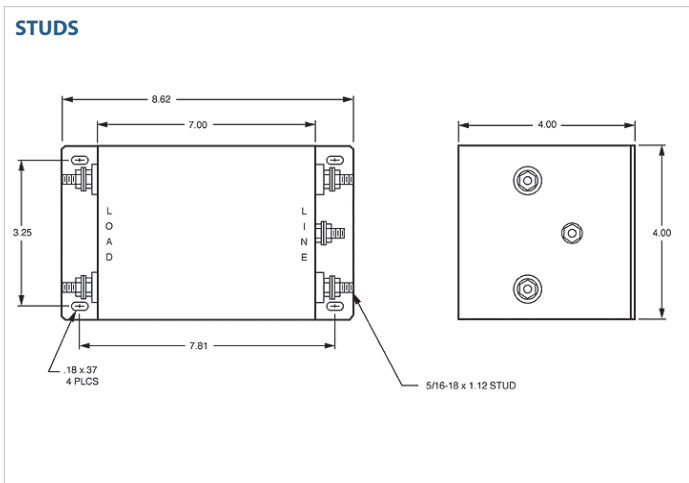
DC

HIGH PERFORMANCE DC POWER FILTER

MODEL NO.	RATED CURRENT (A) @ 40° C	Y-CAP, nF	LEAKAGE CURRENT, mA @ 250V AC, 60 Hz	TERMINAL OPTIONS			MAX. DIMENSIONS" (MM)		
				(QD) INPUT/ OUTPUT	(S) INPUT/ OUTPUT	(C) INPUT/ OUTPUT	WIDTH	(LENGTH)	HEIGHT
DC100 F	100	2x8μF/2x8μF	*		✓		4"	9.24"	4"
DC100 L	100	*	*		✓		5.50"	8.87"	3"

*Contact factory for part data.

DC MECHANICAL OUTLINES (MM)



TYPICAL TOLERANCE: +/-0.02" (0.50MM)

TYPICAL INSERTION LOSS, dB (50/50 Ohm)

Amps	Freq (MHz)	0.15	0.5	1.0	10	30
100	CM (dB)	*	*	27	44	52
	DM (dB)	60	60	56	60	62

*Contact factory for part data.