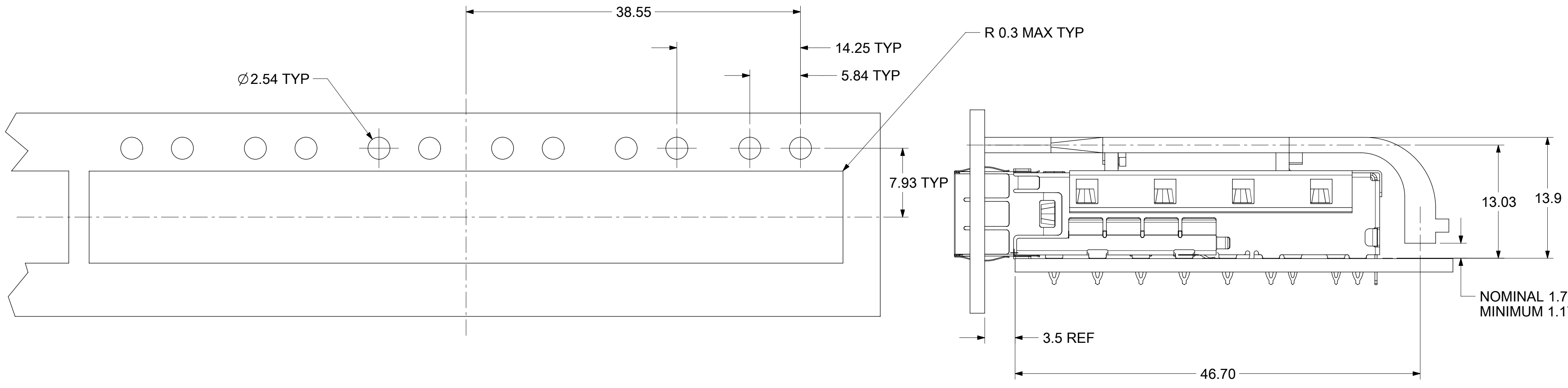
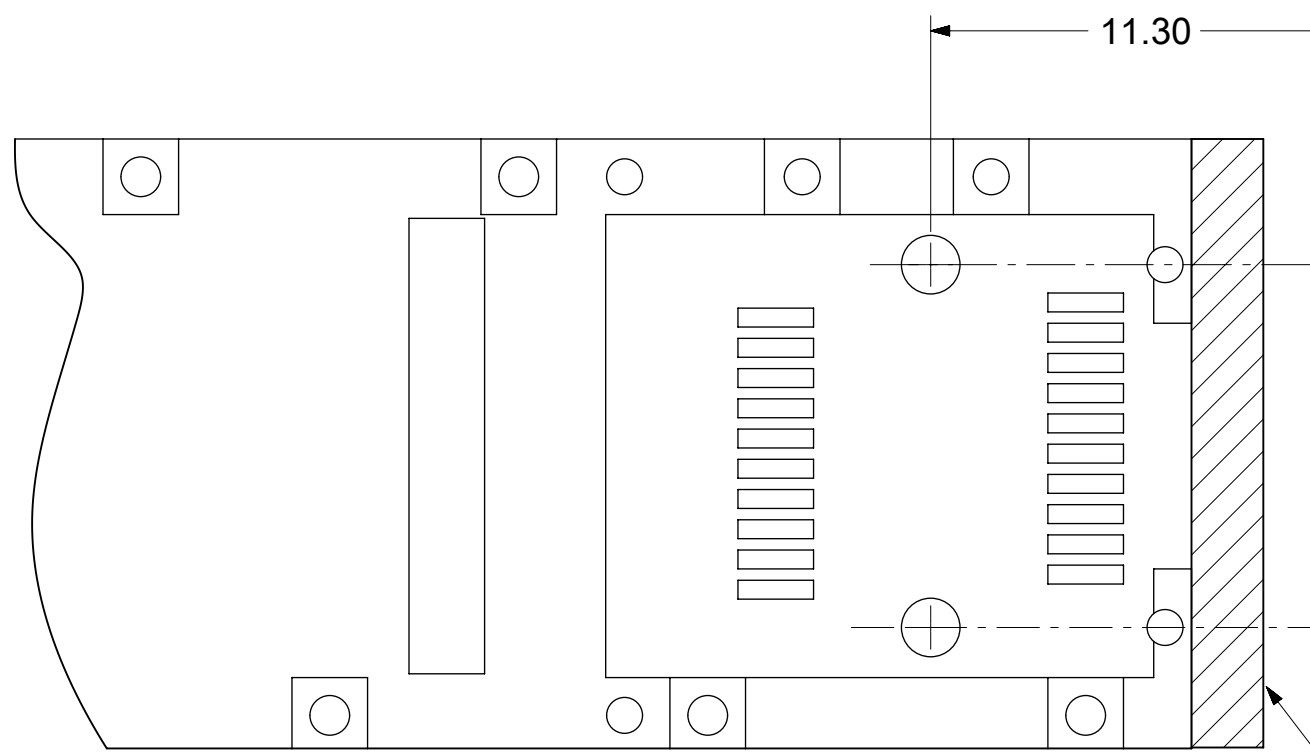


1. MATERIAL:  
COVER: COPPER ALLOY  
LIGHT PIPE: POLYCARBONATE (94-V0 RATED)
2. THIS LIGHT PIPE ASSEMBLY IS TO BE USED WITH THE SFP+ 1X6 CAGE ASSEMBLY P/N 7475406\*\*
3. IT IS RECOMMENDED THAT THE CAGE BE PRESSED INTO OR SOLDERED TO THE PCB PRIOR TO ASSEMBLING THE LIGHT PIPE ASSEMBLY.
4. NO RoHS EXEMPTIONS

THIS DRAWING CONTAINS INFORMATION THAT IS PROPRIETARY TO MOLEX ELECTRONIC TECHNOLOGIES, LLC AND SHOULD NOT BE USED WITHOUT WRITTEN PERMISSION											
SEE REVISION TABLE	EC NO: 117886	2017/03/24	GENERAL TOLERANCES (UNLESS SPECIFIED)		DIMENSION UNITS	SCALE	<b>molex</b>				
	DRWN: VK10	2017/05/05	ANGULAR TOL ± 1.0 °		MM	2.5:1					
	CHKD: DSUN15	2017/06/13	4 PLACES	±	DRWN BY	DATE	SFP+ 1X6 LIGHT PIPE ASSY, LOW PROFILE THRU BEZEL				
	REV / APPR: RCHEN08		3 PLACES	±	VK10	2017/03/24					
			2 PLACES	± 0.15	CHKD BY	DATE	PRODUCT CUSTOMER DRAWING				
			1 PLACE	± 0.25	DSUN15	2017/05/05					
		0 PLACES	±	APPR BY	DATE	SERIES	MATERIAL NUMBER	CUSTOMER			
		DRAFT WHERE APPLICABLE MUST REMAIN WITHIN DIMENSIONS		RCHEN08	2017/06/13	74754	747540061				
B	REV	C	THIRD ANGLE PROJECTION		DRAWING SIZE	DOCUMENT NUMBER		DOC TYPE	DOC PART	SHEET NUMBER	
					C	747540061	PSD	ASY	1 OF 3		



HOST PCB EDGE NEAREST SFP CAGE OPENING



RECOMMENDED CENTER OF LEDS

OPTIONAL REAR EMI CONTACT AREA


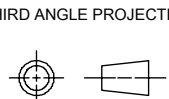
HOST PCB LAYOUT NOTES (SCALE 10:1)

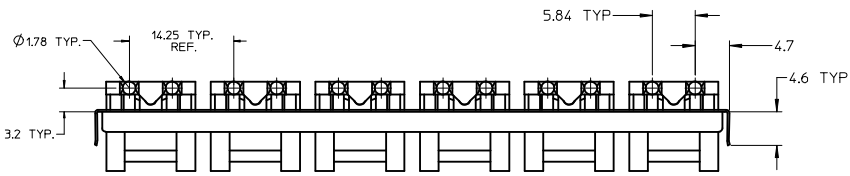
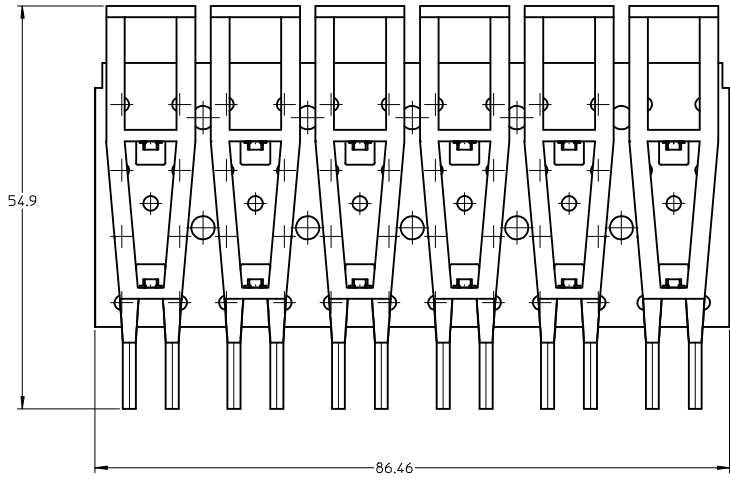
1. LED SHOULD BE PLACED RELATIVE TO THE SFP CONNECTOR POST HOLES
2. LAYOUT APPLIES TO EACH PORT

THIS DRAWING CONTAINS INFORMATION THAT IS PROPRIETARY TO MOLEX ELECTRONIC TECHNOLOGIES, LLC AND SHOULD NOT BE USED WITHOUT WRITTEN PERMISSION

SEE REVISION TABLE EC NO: 117886 DRWN: VK10 CHKD: DSUN15 REV / APPR: RCHEN08	2017/03/24	GENERAL TOLERANCES (UNLESS SPECIFIED) ANGULAR TOL ± 1.0 ° 4 PLACES ± 3 PLACES ± 2 PLACES ± 0.15 1 PLACE ± 0.25 0 PLACES ± DRAFT WHERE APPLICABLE MUST REMAIN WITHIN DIMENSIONS	DIMENSION UNITS	SCALE		
	2017/05/05		MM	3:1		
	2017/06/13		DRWN BY	DATE		VK10 2017/03/24
			CHKD BY	DATE		DSUN15 2017/05/05
			APPR BY	DATE		RCHEN08 2017/06/13
	DRAWING SIZE	THIRD ANGLE PROJECTION	C	SERIES: 74754 MATERIAL NUMBER: 747540061 CUSTOMER:		
RELEASE STATUS: P1 RELEASE DATE: 13.06.2017 01:51:27					PRODUCT CUSTOMER DRAWING DOCUMENT NUMBER: 747540061 DOC TYPE: PSD DOC PART: ASY SHEET NUMBER: 2 OF 3	

REV	DATE	DESCRIPTION
A	2008/10/21	INITIAL RELEASE
B	2017/05/28	REMASTERED FROM SD-74754-0061 REV_A TO 745740061 PSD ASY REV_B IN NX SHEET 2 : H5 : ADDED DIM R0.3 MAX TYP

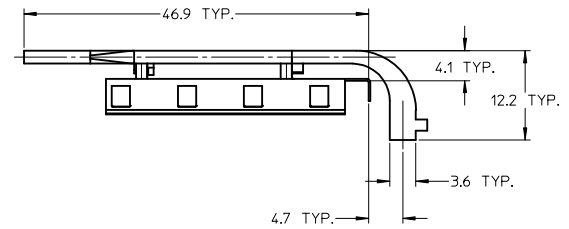
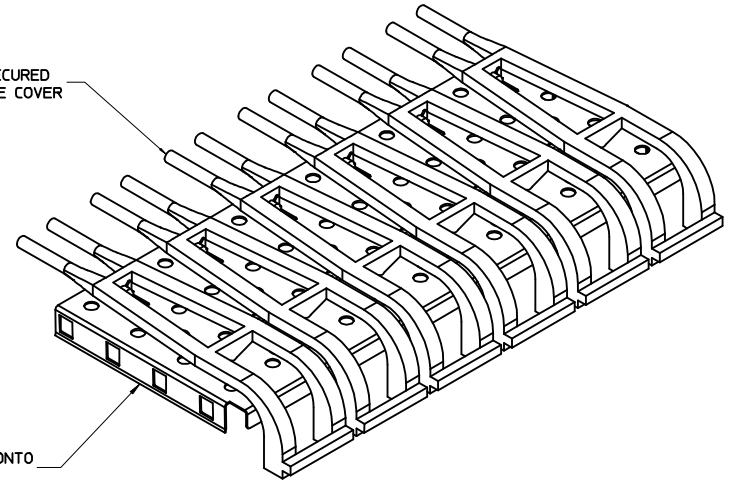
THIS DRAWING CONTAINS INFORMATION THAT IS PROPRIETARY TO MOLEX ELECTRONIC TECHNOLOGIES, LLC AND SHOULD NOT BE USED WITHOUT WRITTEN PERMISSION									
SEE REVISION TABLE EC NO: 117886 DRWN: VK10 CHKD: DSUN15 REV: APPR: RCHEN08	2017/03/24		2017/05/05		2017/06/13				
	GENERAL TOLERANCES (UNLESS SPECIFIED)			DIMENSION UNITS	SCALE		 <p>SFP+ 1X6 LIGHT PIPE ASSY, LOW PROFILE THRU BEZEL</p> <p>PRODUCT CUSTOMER DRAWING</p> <p>SERIES: 74754 MATERIAL NUMBER: 747540061 CUSTOMER</p> <p>DOCUMENT NUMBER: 747540061 DOC TYPE: PSD DOC PART: ASY SHEET NUMBER: 3 OF 3</p>		
	ANGULAR TOL ± 1.0 °			MM	1:1				
	4 PLACES	±		DRWN BY: VK10		DATE: 2017/03/24			
	3 PLACES	±		CHKD BY: DSUN15		DATE: 2017/05/05			
	2 PLACES	±	0.15	APPR BY: RCHEN08		DATE: 2017/06/13			
	1 PLACE	±	0.25	DRAWING SIZE: C		THIRD ANGLE PROJECTION			
	0 PLACES	±							
DRAFT WHERE APPLICABLE MUST REMAIN WITHIN DIMENSIONS									



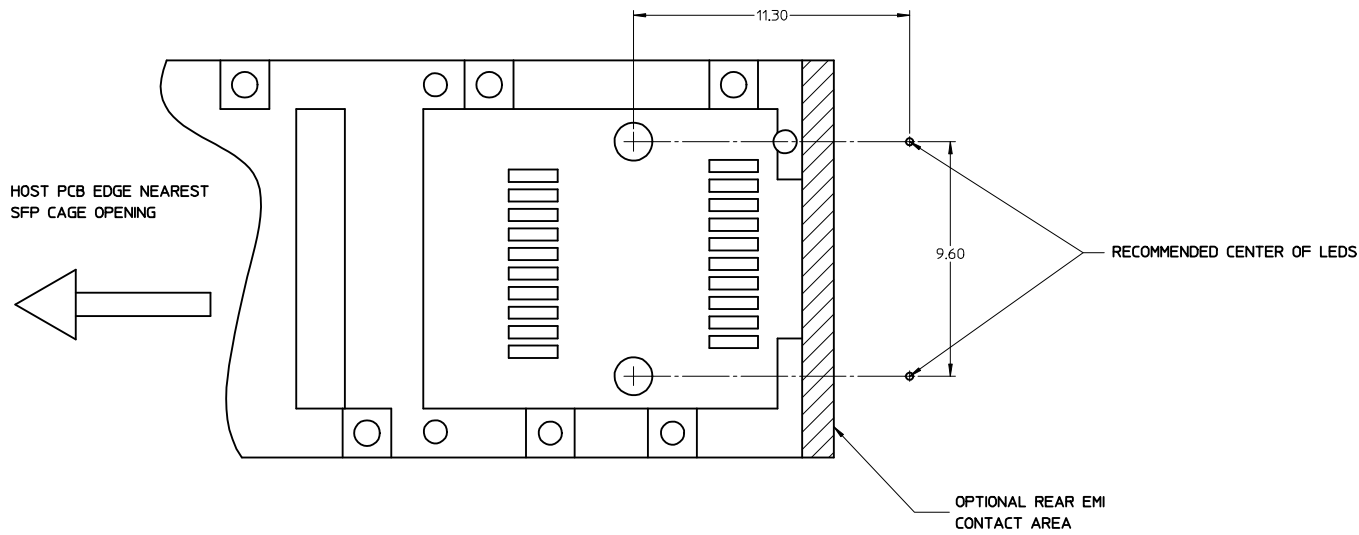
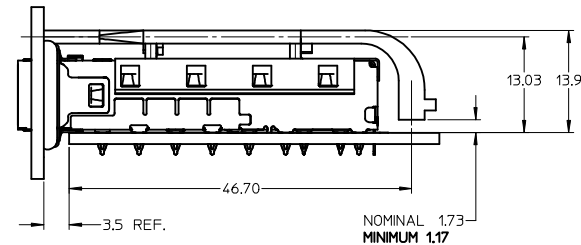
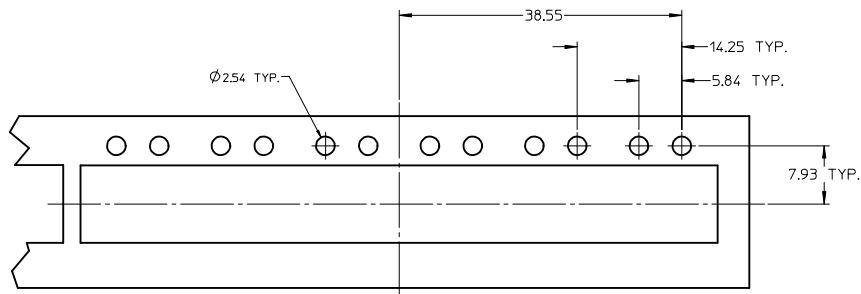
1. MATERIAL:  
 COVER: COPPER ALLOY  
 LIGHT PIPE: POLYCARBONATE (94-V0 RATED)
2. THIS LIGHT PIPE ASSEMBLY IS TO BE USED WITH THE SFP+ 1X6 CAGE ASSEMBLY P/N 7475406\*\*
3. IT IS RECOMMENDED THAT THE CAGE BE PRESSED INTO OR SOLDERED TO THE PCB PRIOR TO ASSEMBLING THE LIGHT PIPE ASSEMBLY.
4. THIS PART MEETS THE RESTRICTION OF HAZARDOUS SUBSTANCES IN ELECTRICAL AND ELECTRONIC EQUIPMENT (RoHS) DIRECTIVE (2002/95/EC)

LIGHT PIPES SECURED TO METAL CAGE COVER

COVER DESIGNED TO SNAP ONTO THE SFP+ CAGE ASSEMBLY



<b>ENTER DESCRIPTION</b> IEC NO: USY2009-0143 DRAWN/INKE 2008/10/22 CHKD/AR/INKE 2008/10/22 APPR:K.JANOTA 2008/10/22 REV DESCRIPTION	<b>QUALITY SYMBOLS</b> ▽=0 ▽=0		<b>GENERAL TOLERANCES (UNLESS SPECIFIED)</b>		<b>DIMENSION STYLE</b> MM ONLY	<b>SCALE</b> 3:1	<b>DESIGN UNITS</b> METRIC	THIRD ANGLE PROJECTION
	4 PLACES	±	---	---	mm	---	---	---
	3 PLACES	±	---	---	mm	---	---	---
	2 PLACES	±	0.15	---	mm	---	---	---
1 PLACE	±	0.25	---	mm	---	---	---	
				ANGULAR	±	1°		
DRAFT WHERE APPLICABLE MUST REMAIN WITHIN DIMENSIONS				MATERIAL NO: <b>747540061</b>		DOCUMENT NO: <b>SD-74754-0061</b>		SHEET NO: 1 OF 3
THIS DRAWING CONTAINS INFORMATION THAT IS PROPRIETARY TO MOLEX INCORPORATED AND SHOULD NOT BE USED WITHOUT WRITTEN PERMISSION								



HOST PCB LAYOUT NOTES (SCALE 10:1)

1. LED SHOULD BE PLACED RELATIVE TO THE SFP CONNECTOR POST HOLES
2. LAYOUT APPLIES TO EACH PORT

<b>ENTER DESCRIPTION</b> IEC NO.: USY2009-0143 DRAWN BY: CHYDARIWE 2008/10/22 CHECKED BY: APPR:K.JANOTA 2008/10/22 REV: A	QUALITY SYMBOLS	GENERAL TOLERANCES (UNLESS SPECIFIED)	DIMENSION STYLE	SCALE	DESIGN UNITS	THIRD ANGLE PROJECTION																		
	$\nabla=0$ $\nabla=0$	<table border="1"> <tr> <th></th> <th>mm</th> <th>INCH</th> </tr> <tr> <td>4 PLACES</td> <td>±---</td> <td>±---</td> </tr> <tr> <td>3 PLACES</td> <td>±---</td> <td>±---</td> </tr> <tr> <td>2 PLACES</td> <td>±0.15</td> <td>±---</td> </tr> <tr> <td>1 PLACE</td> <td>±0.25</td> <td>±---</td> </tr> <tr> <td colspan="3">ANGULAR ± 1°</td> </tr> </table>		mm	INCH	4 PLACES	±---	±---	3 PLACES	±---	±---	2 PLACES	±0.15	±---	1 PLACE	±0.25	±---	ANGULAR ± 1°			MM ONLY	3:1	METRIC	
		mm	INCH																					
	4 PLACES	±---	±---																					
3 PLACES	±---	±---																						
2 PLACES	±0.15	±---																						
1 PLACE	±0.25	±---																						
ANGULAR ± 1°																								
DESCRIPTION	DRAFT WHERE APPLICABLE MUST REMAIN WITHIN DIMENSIONS		DRAWN BY: JREEVES DATE: 2008/10/15 CHECKED BY: MA JOHNSTON DATE: 2008/10/17 APPROVED BY: K. JANOTA DATE: 2008/10/20		TITLE: SFP+ 1X6 LIGHT PIPE ASSY, LOW PROFILE - THRU BEZEL MOLEX INCORPORATED																			
	SIZE: D	MATERIAL NO.: 747540061 DOCUMENT NO.: SD-74754-0061		SHEET NO.: 2 OF 3																				

DATE	REV	DESCRIPTION
2008/10/21	A	INITIAL RELEASE

<b>ENTER DESCRIPTION</b> IEC NO. USY2009-0143 DRAWN BY CHYDARIWKE 2008/10/22 CHECKED BY APPR:K.JANOTA 2008/10/22 REV DESCRIPTION	QUALITY SYMBOLS ▽=0 ▽=0	GENERAL TOLERANCES (UNLESS SPECIFIED) <table border="1"> <thead> <tr> <th></th> <th>mm</th> <th>INCH</th> </tr> </thead> <tbody> <tr> <td>4 PLACES</td> <td>± .005</td> <td>± .0004</td> </tr> <tr> <td>3 PLACES</td> <td>± .002</td> <td>± .0001</td> </tr> <tr> <td>2 PLACES</td> <td>± 0.15</td> <td>± .006</td> </tr> <tr> <td>1 PLACE</td> <td>± 0.25</td> <td>± .010</td> </tr> </tbody> </table> ANGULAR ± 1°		mm	INCH	4 PLACES	± .005	± .0004	3 PLACES	± .002	± .0001	2 PLACES	± 0.15	± .006	1 PLACE	± 0.25	± .010	DIMENSION STYLE <b>MM ONLY</b>	SCALE <b>1:1</b>	DESIGN UNITS <b>METRIC</b>	THIRD ANGLE PROJECTION 
		mm	INCH																		
	4 PLACES	± .005	± .0004																		
	3 PLACES	± .002	± .0001																		
2 PLACES	± 0.15	± .006																			
1 PLACE	± 0.25	± .010																			
DRAWN BY JREEVES 2008/10/15	DATE 2008/10/15	TITLE <b>SFP+ 1X6 LIGHT PIPE ASSY, LOW PROFILE - THRU BEZEL</b>	MOLEX INCORPORATED																		
CHECKED BY MA JOHNSTON 2008/10/17	DATE 2008/10/17	APPROVED BY K. JANOTA 2008/10/20	MATERIAL NO. <b>747540061</b>	DOCUMENT NO. <b>SD-74754-0061</b>	SHEET NO. 3 OF 3																
DRAFT WHERE APPLICABLE MUST REMAIN WITHIN DIMENSIONS						THIS DRAWING CONTAINS INFORMATION THAT IS PROPRIETARY TO MOLEX INCORPORATED AND SHOULD NOT BE USED WITHOUT WRITTEN PERMISSION															