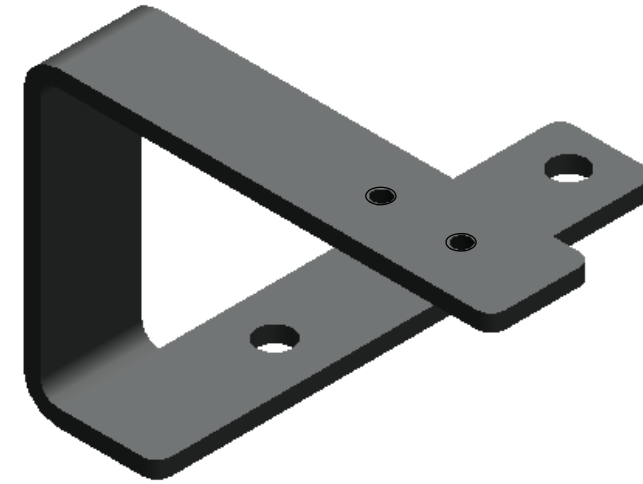
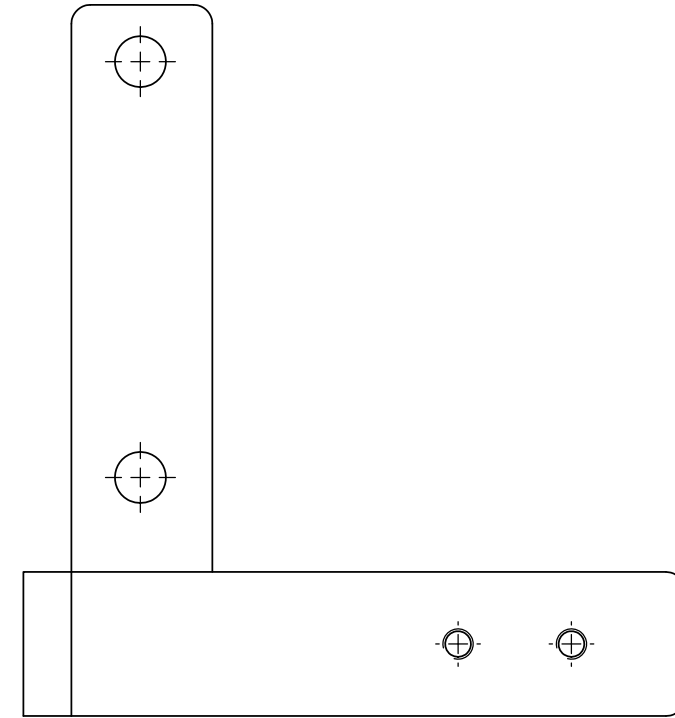
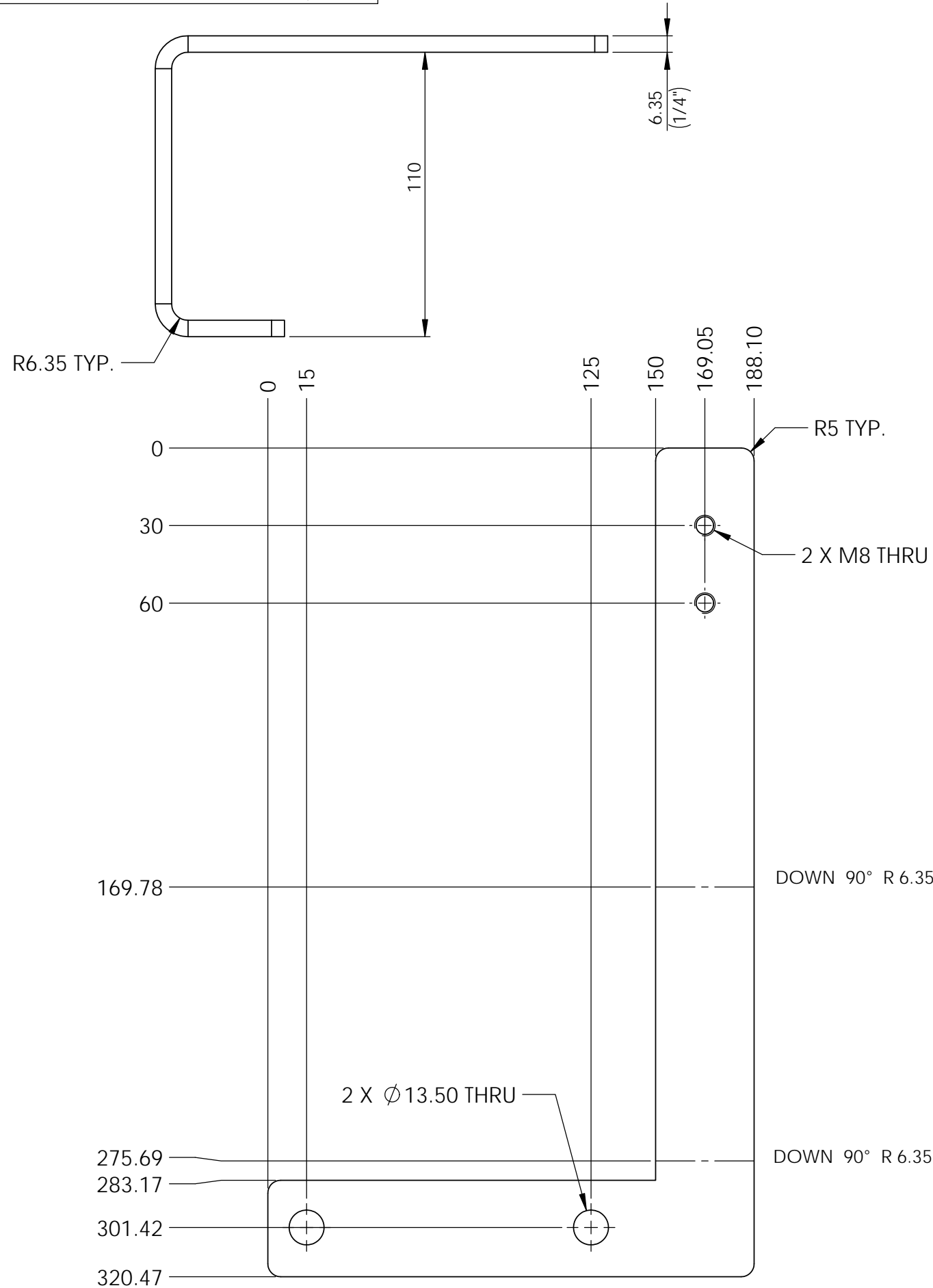


© 2016 MURRPLASTIK SYSTEMS, INC. THIS DOCUMENT IS THE SOLE AND EXCLUSIVE PROPERTY OF MURRPLASTIK SYSTEMS, INC. THE DOCUMENT AND ANY INFORMATION CONTAINED HEREIN MAY NOT BE COPIED, REPRODUCED OR USED IN ANY MANNER WITHOUT THE EXPRESS WRITTEN CONSENT OF MURRPLASTIK SYSTEMS, INC.



UNLESS OTHERWISE SPECIFIED  
DIMENSIONS ARE IN MM  
TOLERANCES ARE:

DECIMALS	ANGLES
X ± .5	± 1°
.X ± .25	
.XX ± .125	


MATERIAL:  
HRS, 1/4"

FINISH:  
POWDERCOAT, BLACK

SCALE 1:2

**murrplastik**  **Murrplastik Systems, Inc.**  
1175 US Highway 50  
Milford, OH 45150  
513-201-3069

TITLE  
R2000 A2 System Holder Mount  
Lower

  
THIRD ANGLE PROJECTION

DO NOT SCALE DRAWING

APPROVALS	DATE
DRAWN DJS	5/19/2017
CHECKED RH	5/19/2017

SIZE A3	DWG. NO. 83800008	REV 1
------------	----------------------	----------

ECN	REV.	DESCRIPTION	DATE	CHG. BY
	1	DWG NO. changed from FAN2K-A2L-SH	02/2018	DJS