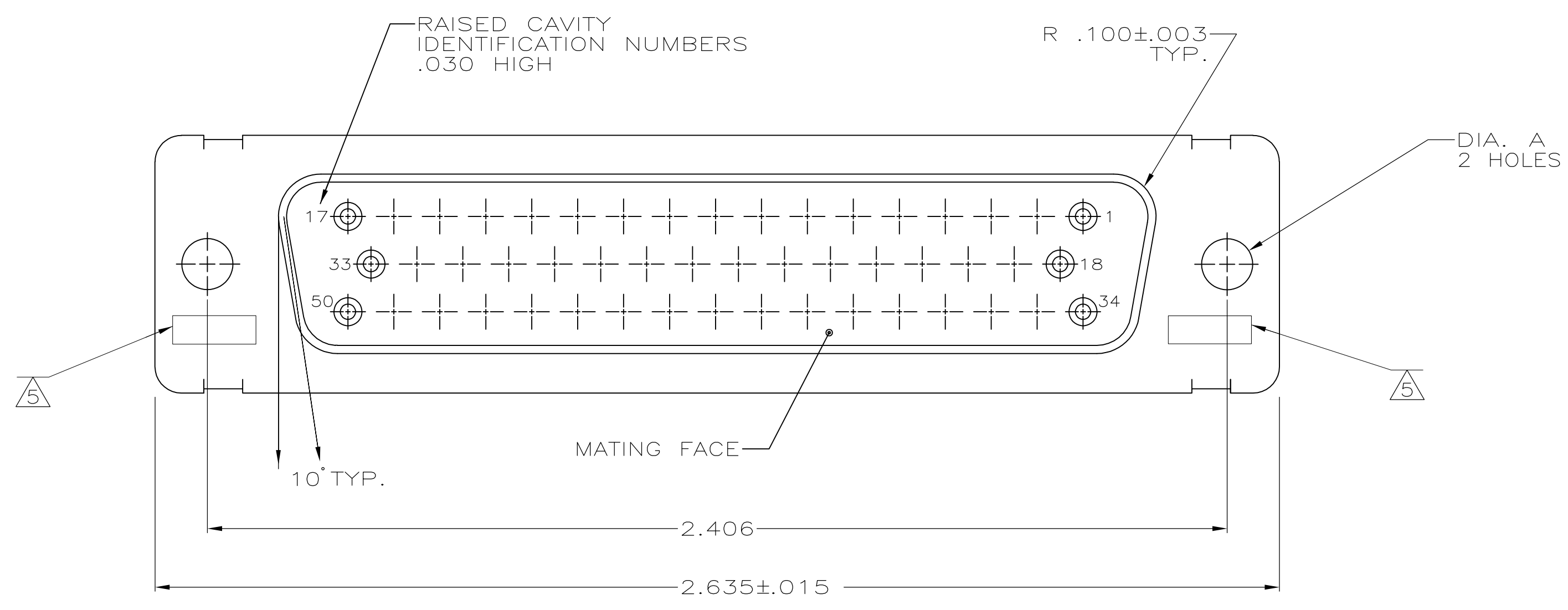
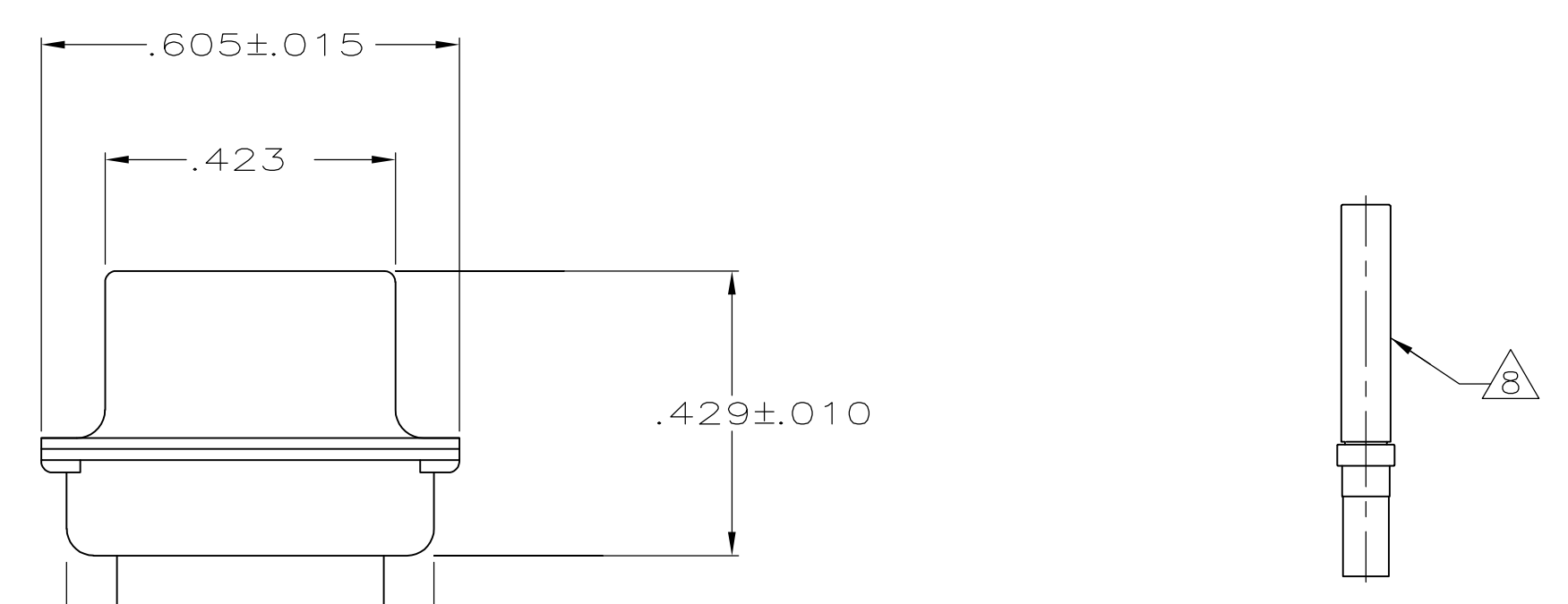
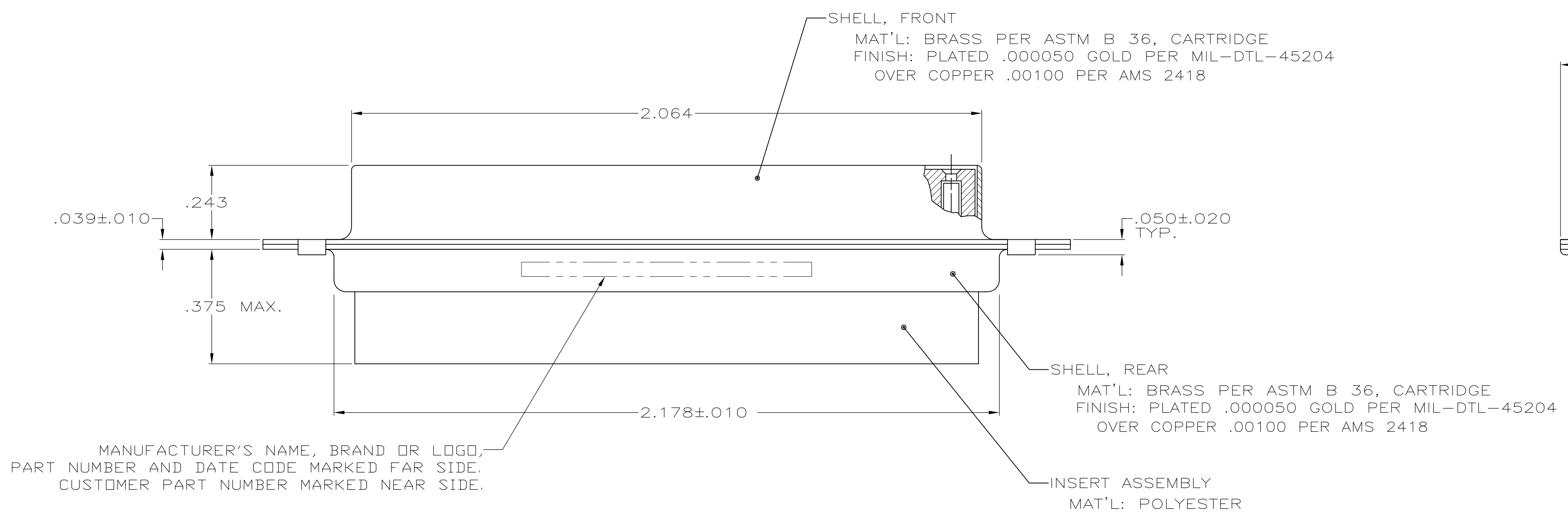


LOC		DIST		REVISIONS			
P	LTR	DESCRIPTION	DATE	DN	APVD	CT	CD
T		REV PER ECO 15-016064	11-9-15	CT	CD		



1. THIS RECEPTACLE WILL MATE WITH ANY PLUG CONNECTOR WITH THE SAME INSERT ARRANGEMENT AS DEFINED BY MS18277-1.
2. MAXIMUM WIRE INSULATION USED WITH THIS RCPT. IS .072 DIA. MAX.
3. Be-Cu RETENTION CLIPS ARE INCLUDED IN INSERTS.
- 4 FAR SIDE REFERS TO WIDE SIDE OF KEYSTONE.
- 5 UL/CSA DESIGNATION STAMPED IN THIS AREA, OPTIONAL
- 6 THIS CONNECTOR IS QUALIFIED TO GODDARD SPACE FLIGHT CENTER S-311-P-4.
- 7 RESTRICTED TO CAE ELECTRONICS ONLY.
- 8 CONNECTOR SUPPLIED WITH 50 CONTACTS, AMP PART NUMBER 206793-1; (NOT INSTALLED).



MANUFACTURER'S NAME, BRAND OR LOGO, PART NUMBER AND DATE CODE MARKED FAR SIDE. CUSTOMER PART NUMBER MARKED NEAR SIDE.

NOT RELEASED FOR PRODUCTION
OBSOLETE
OBSOLETE

8	.120	LMSC 1621480-005	206805-9	206805-9
	.120	LMSC 1621480-005	206805-8	206805-8
6 7	.120	311P409-5S-B-12	206805-2	206805-7
		1A01-032RHA		206805-6
				206805-5
	.120	2A014-010V-001	206805-4	206805-4
	.154		206805-3	206805-3
6	.120	311P409-5S-B-12	206805-2	206805-2
6	.154	311P409-5S-B-15	206805-1	206805-1
REMARKS	DIA A	MARKED CUSTOMER P/N	MARKED MFG P/N	PART NUMBER

THIS DRAWING IS A CONTROLLED DOCUMENT. DIM: M. CLOUSER 1-4-89. CHK: T. CANTLIN 1-24-89. NAME: RECEPTACLE FOR SOCKET CONTACTS, SERIES 109, 50 POSITION, AMPLIMITE.

DIMENSIONS: INCHES	TOLERANCES UNLESS OTHERWISE SPECIFIED:	PRODUCT SPEC	APPLICATION SPEC	SIZE	CAGE CODE	DRAWING NO	RESTRICTED TO
0 PLC	± .005			A1	00779	206805	
1 PLC	± .005						
2 PLC	± .005						
3 PLC	± .005						
4 PLC	± .005						
ANGLES	± .005						
MATERIAL SEE CALLOUTS	FINISH SEE CALLOUTS	WEIGHT					
CUSTOMER DRAWING		SCALE 4:1	SHEET 1 OF 1	REV T			