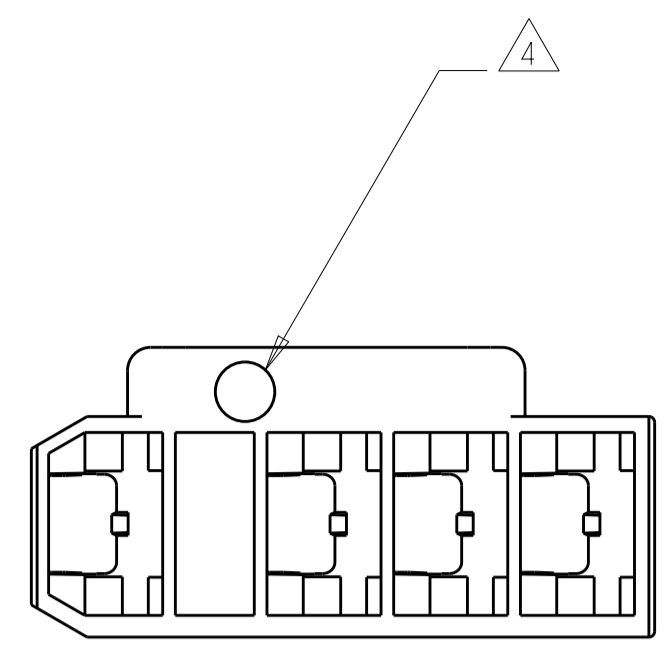
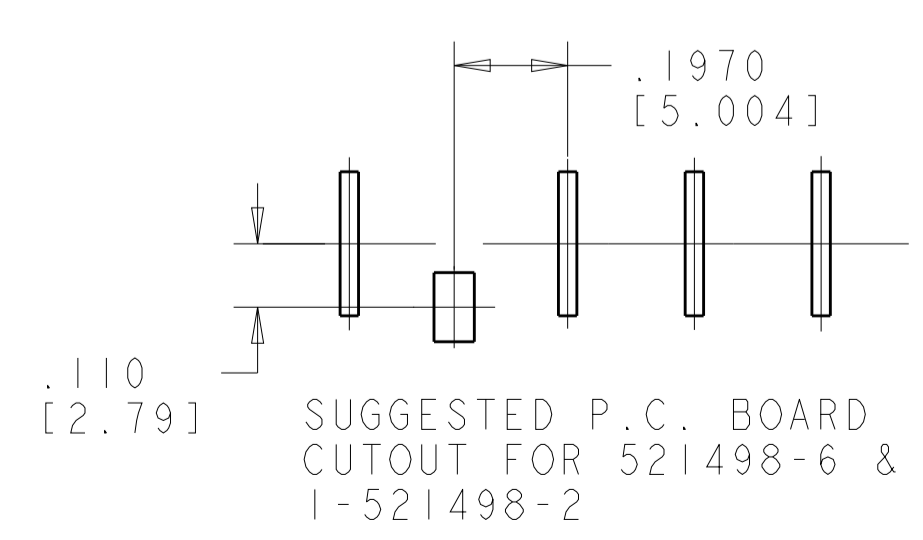
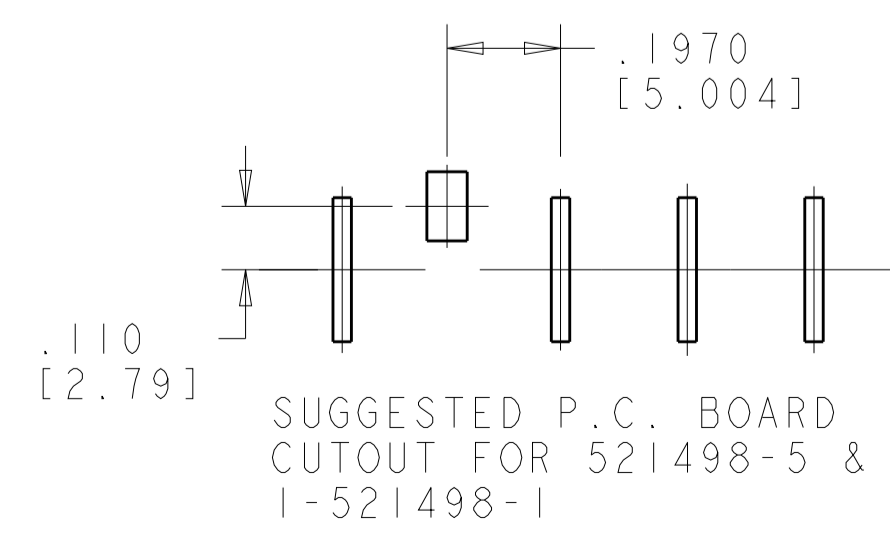
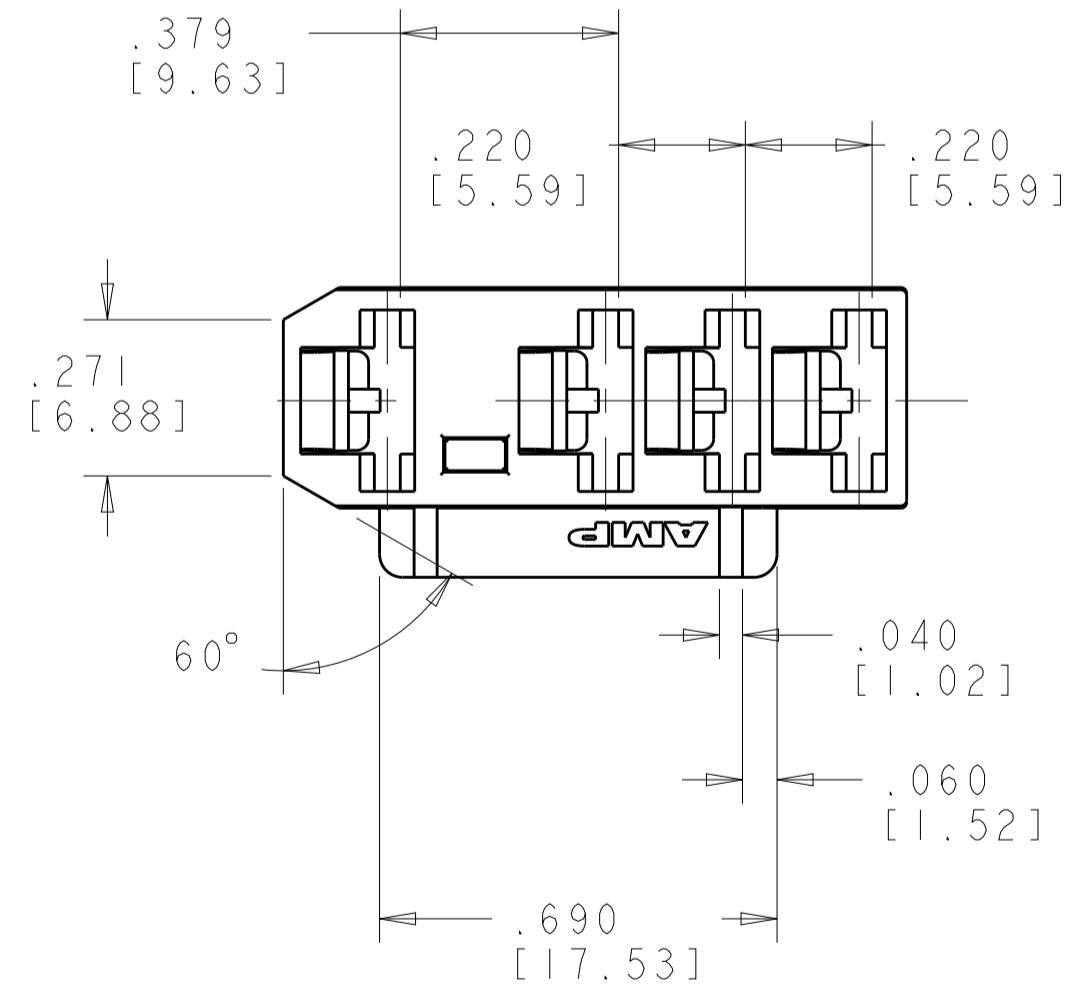
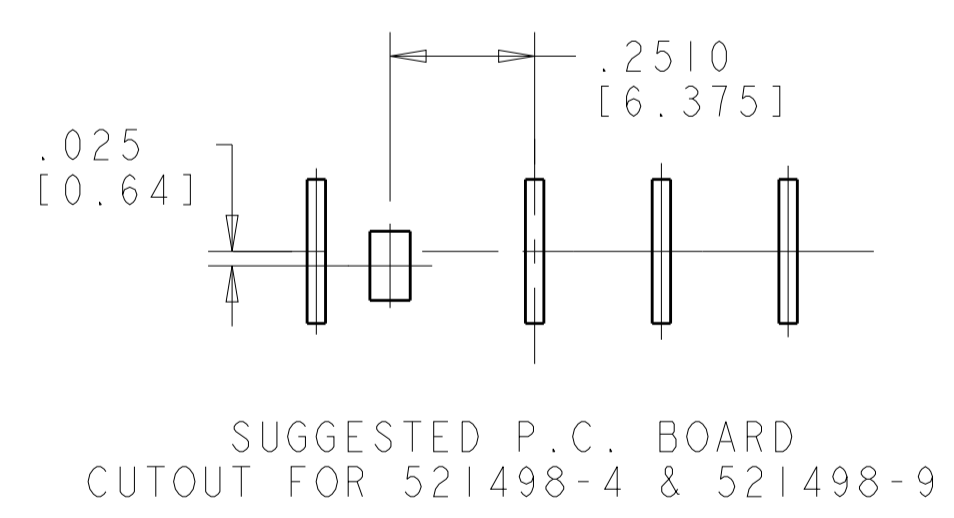
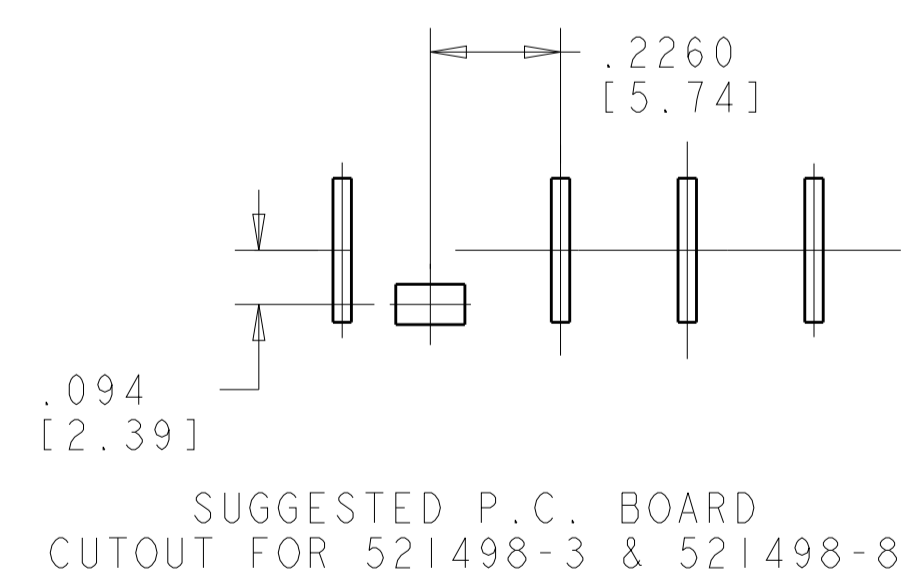
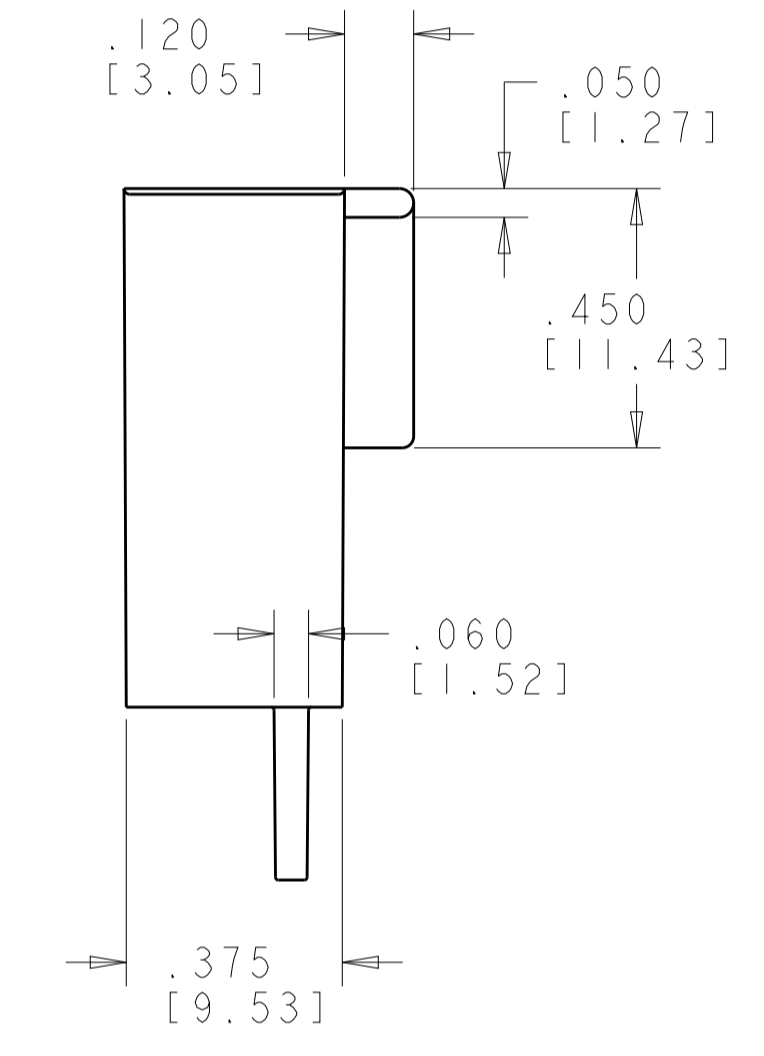
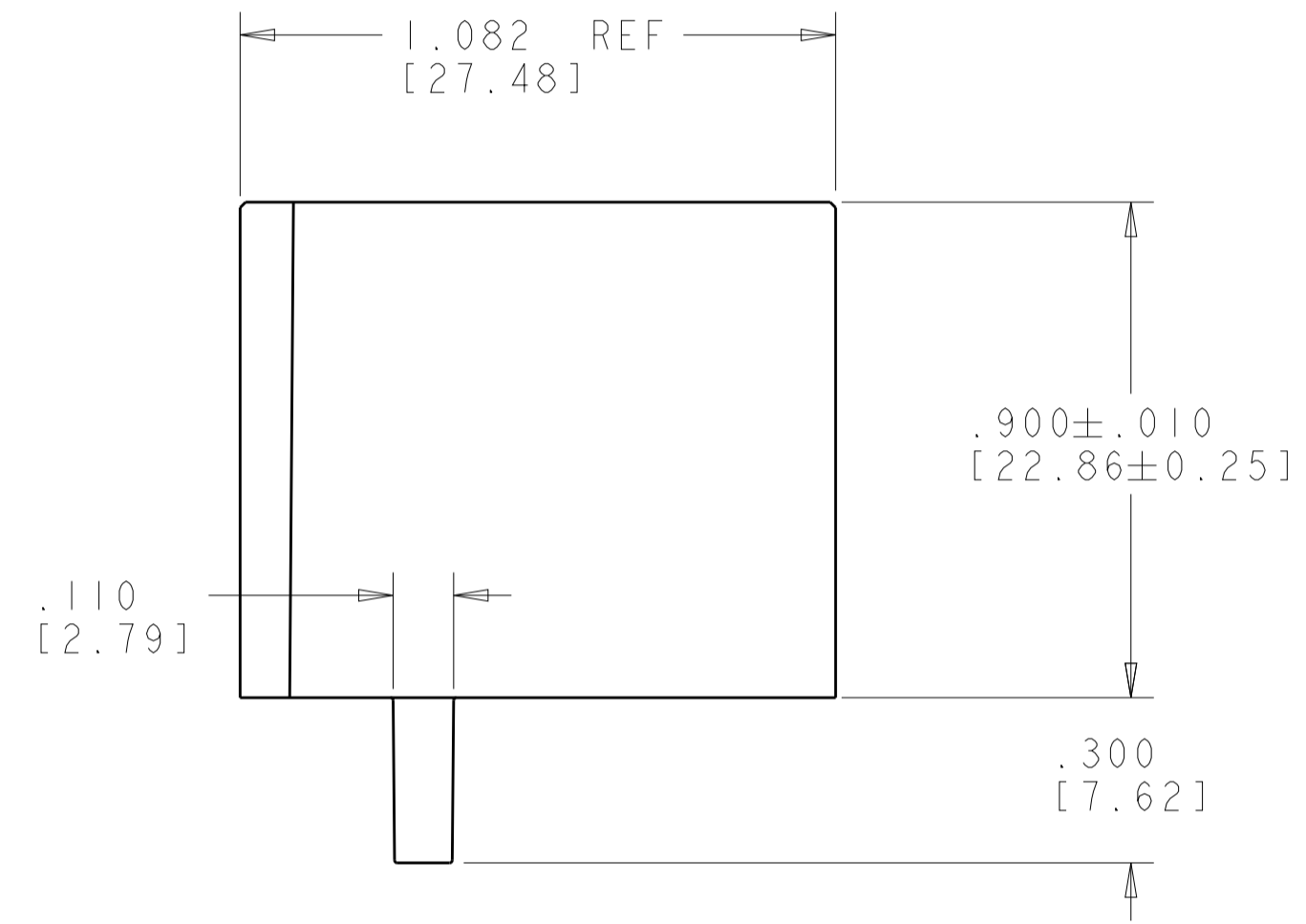
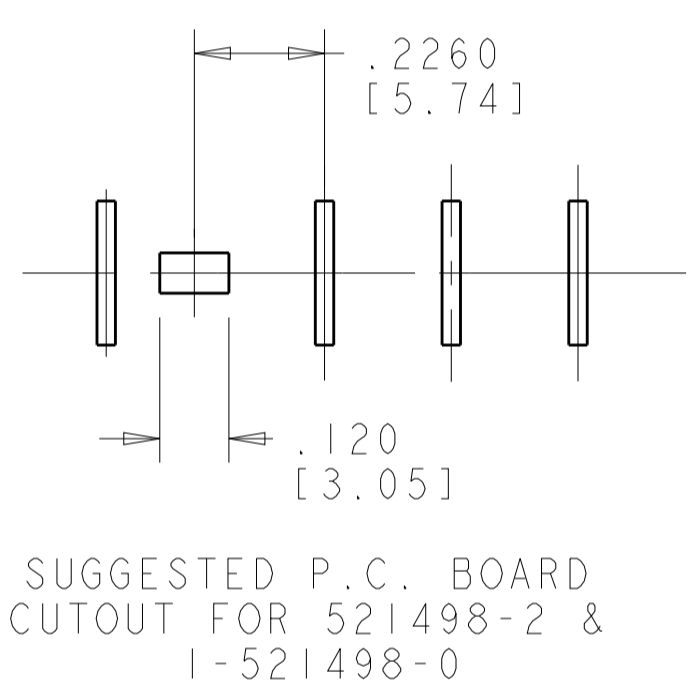
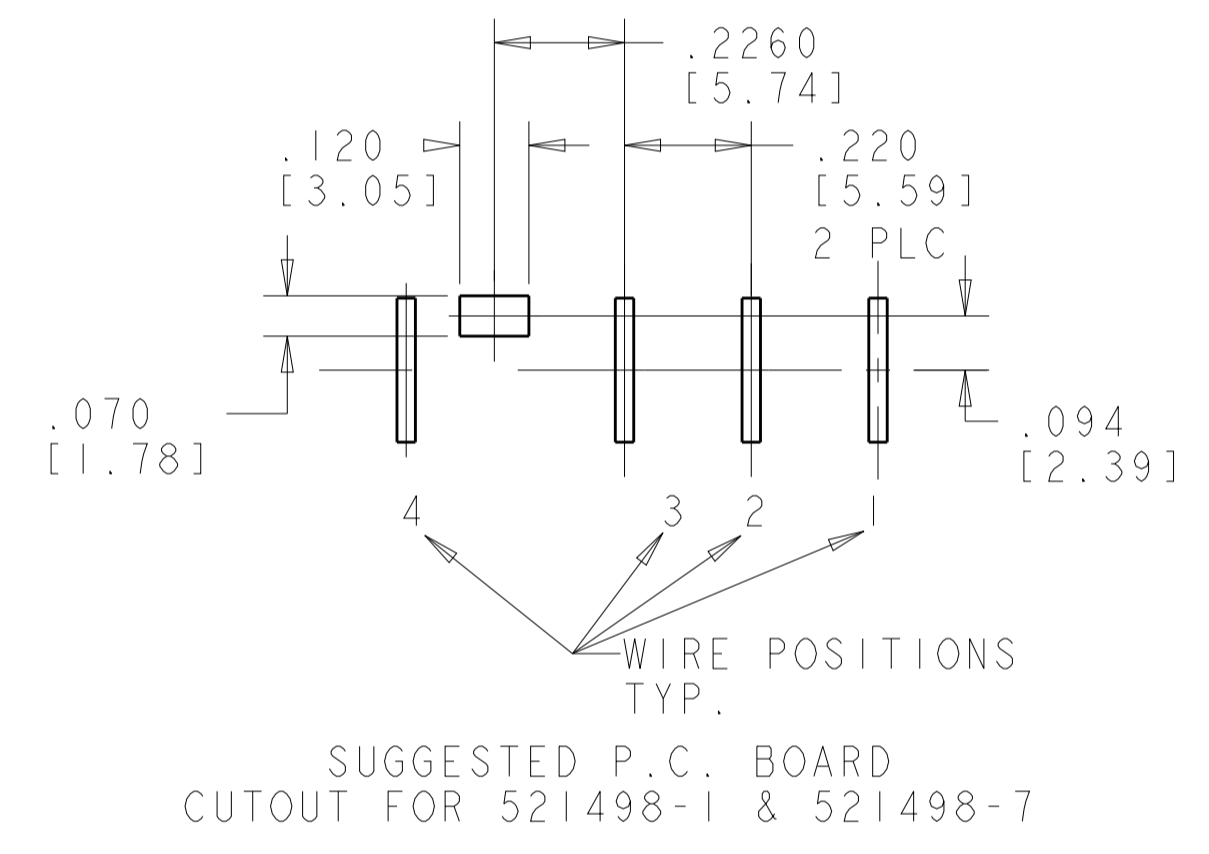


REVISIONS				
P.	LTN	DESCRIPTION	DATE	APP'D
N2		REVISED PER ECR-18-007506	08DEC2018	BDA DS



- FOR USE WITH TYCO ELECTRONICS 250 SERIES LOW INSERTION RECEPTACLES
- ALL SUGGESTED P.C. BOARD CUTOUTS ARE SHOWN FROM THE COMPONENT SIDE.
- V-0 LETTERS THIS LOCATION FOR -7 THRU -12 PARTS ONLY.
- BLUE COLOR MAY APPEAR GRAY
- 521498-7: BLUE PARTS MAY APPEAR MEDIUM BLUE TO LIGHT BLUE TO LIGHT GRAY IN COLOR AND MAY ALSO EXHIBIT A MARBLING EFFECT.
- 521498-8: YELLOW PARTS MAY APPEAR LIGHT YELLOW TO LIGHT BEIGE IN COLOR AND MAY ALSO EXHIBIT A MARBLING EFFECT.
- 1-521498-0: GREEN PARTS MAY APPEAR MEDIUM GREEN TO VERY LIGHT GREEN (MINT) IN COLOR AND MAY ALSO EXHIBIT A MARBLING EFFECT.
- 1-521498-2: RED PARTS MAY APPEAR DARK PINK, MEDIUM PINK, OR LIGHT PINK IN COLOR AND MAY ALSO EXHIBIT A MARBLING EFFECT.
- OBSELETE PARTS
- PARTS MAY APPEAR MEDIUM COLORED TO LIGHT COLORED AND EXHIBIT A MARBLING EFFECT.



<sup>4</sup> SUPERSEDED BY 2-521498-2  
<sup>4</sup> SUPERSEDED  
<sup>4</sup> SUPERSEDED BY 2-521498-9  
<sup>4</sup> SUPERSEDED  
<sup>4</sup>

BLACK	NYLON V0 BLACK	2-521498-9
YELLOW	NYLON V0 YELLOW	2-521498-8
BLUE	NYLON V0 BLUE	2-521498-7
RED	NYLON V0 RED	2-521498-2
GREEN	NYLON V0 GREEN	2-521498-0
RED	NYLON, V-0	<del>1-521498-2</del>
WHITE	NYLON, V-0	<del>1-521498-1</del>
GREEN	NYLON, V-0	<del>1-521498-0</del>
BLACK	NYLON, V-0	<del>521498-9</del>
YELLOW	NYLON, V-0	<del>521498-8</del>
BLUE	NYLON, V-0	<del>521498-7</del>
RED	NYLON, V-2	<del>521498-6</del>
WHITE	NYLON, V-2	521498-5
BLACK	NYLON, V-2	521498-4
YELLOW	NYLON, V-2	521498-3
GREEN	NYLON, V-2	521498-2
BLUE	NYLON, V-2	521498-1
COLOR	MATERIAL	PART NUMBER

THIS DRAWING IS A CONTROLLED DOCUMENT.

DIMENSIONS: INCHES[mm]  
 TOLERANCES UNLESS OTHERWISE SPECIFIED:  
 0 PLC ±.  
 1 PLC ±.  
 2 PLC ±.  
 3 PLC ±.005[0.13]  
 4 PLC ±.  
 ANGLES ±1°  
 FINISH

DWN R FLAIG 01OCT2002  
 CHK P DESANTIS 01OCT2002  
 APVD P DESANTIS 01OCT2002  
 PRODUCT SPEC  
 APPLICATION SPEC  
 WEIGHT  
 CUSTOMER DRAWING

NAME HOUSING, RECEPTACLE FASTON, .250 [6.35] SERIES  
 SIZE CAGE CODE DRAWING NO. RESTRICTED TO  
 A100779C=521498  
 SCALE 3:1 SHEET 1 OF 1 REV N2

**STE** TE Connectivity