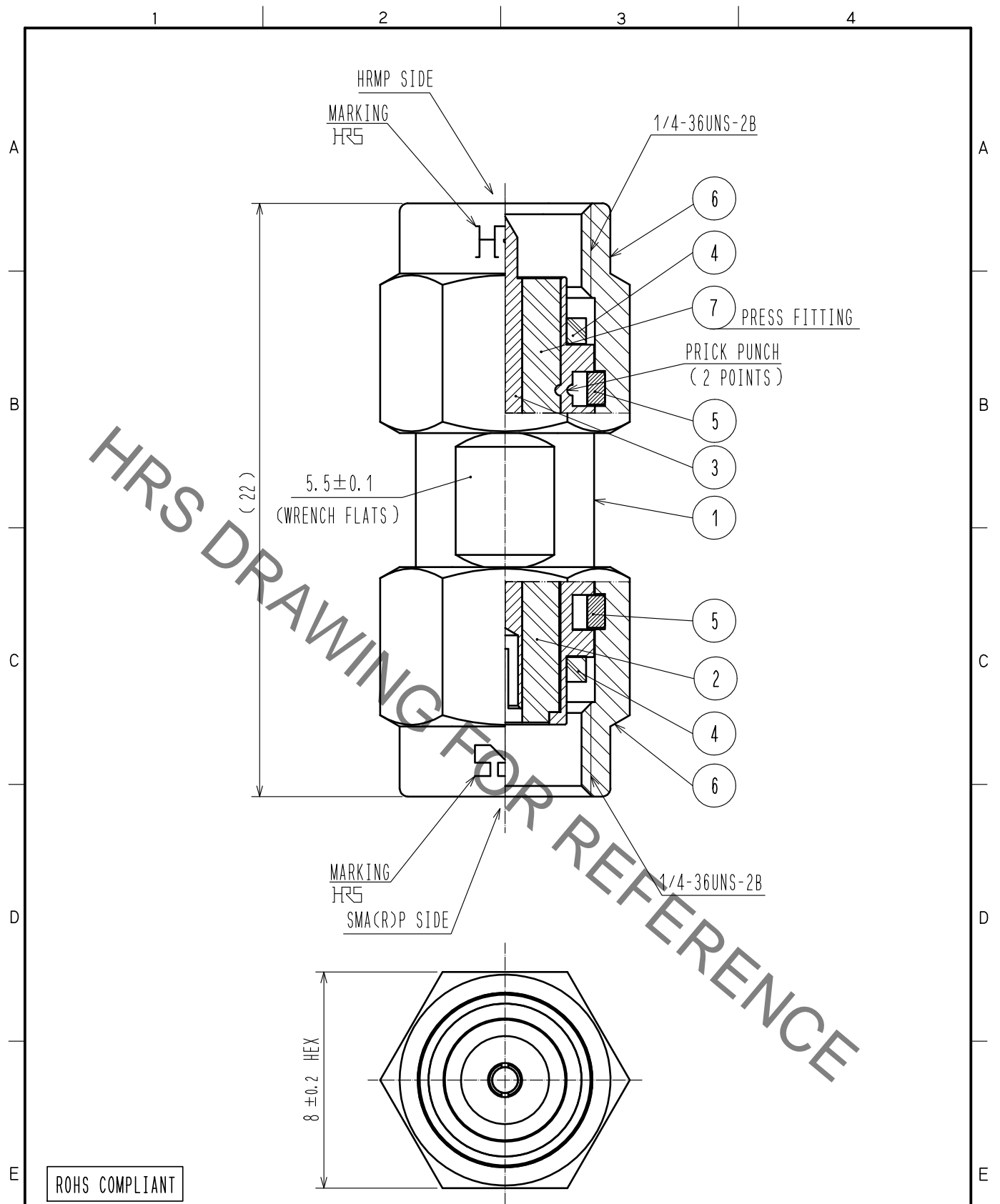


May.1.2023 Copyright 2023 HIROSE ELECTRIC CO., LTD. All Rights Reserved.
 In case of consideration for using Automotive equipment / device which demand high reliability, kindly contact our sales window correspondents.



ROHS COMPLIANT

4	SILICON RUBBER				
3	BERYLLIUM COPPER	GOLD PLATING	7	PTFE	
2	PTFE		6	STAINLESS STEEL	PASSIVATED
1	STAINLESS STEEL	PASSIVATED	5	BERYLLIUM COPPER	NICKEL PLATING
NO.	MATERIAL	FINISH . REMARKS	NO.	MATERIAL	FINISH . REMARKS

UNITS mm		SCALE 5 : 1	COUNT 	DESCRIPTION OF REVISIONS	DESIGNED	CHECKED	DATE
-------------	--	----------------	-----------	--------------------------	----------	---------	------

HIROSE ELECTRIC CO., LTD.	APPROVED : KY. SHIMIZU	16.07.20	DRAWING NO.	EDC-366791-00-00
	CHECKED : KY. SHIMIZU	16.07.20	PART NO.	HRMP-SMA(R)P
	DESIGNED : MH. OGUSU	16.07.20	CODE NO.	CL323-0009-0-00
	DRAWN : MH. OGUSU	16.07.20		