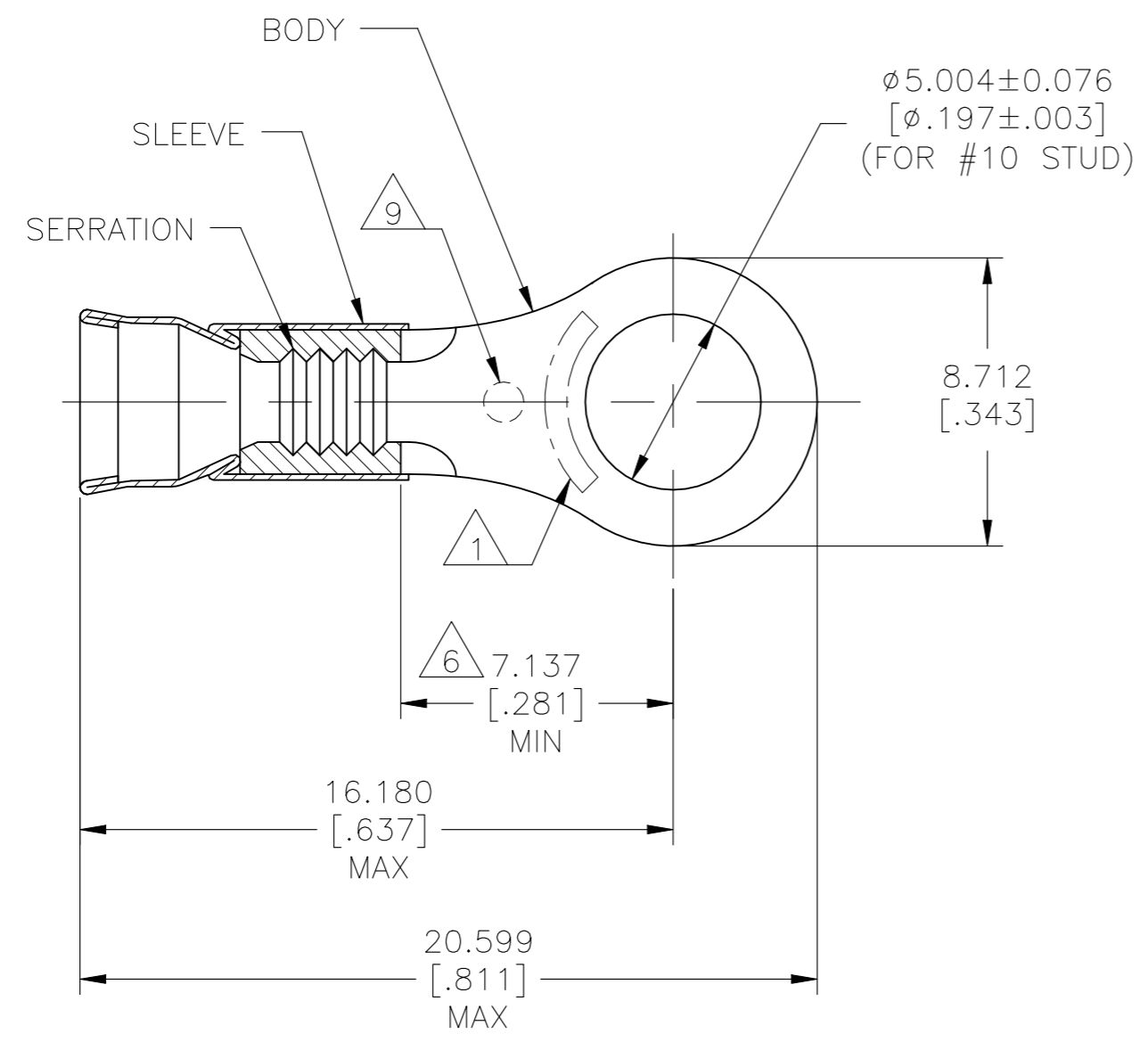


© - TE Connectivity. All Rights Reserved.

REVISIONS				
P	LTR	DESCRIPTION	DATE	APVD
	H	REVISED PER ECR-22-152397	06OCT2022	BB DSC



- 1. STAMP AMP 16-14* APPROX AS SHOWN.
- 2. WIRE INSULATION DIAMETER: ø3.048[.120] TO ø4.318[.170]
- 3. BODY MATERIAL THK: 0.787±0.051[.031±.002]
- 4. NOTE DELETED.
- 5. PARTS MOUNTED ON TAPE WIRE BARREL FACING DOWN.
- 6. APPLIES FROM EDGE OF METAL WIRE BARREL TO CENTER OF STUD HOLE.
- 7. MATERIAL:
BODY - COPPER PER ASTM B152
SLEEVE - NICKEL SILVER PER ASTM B122
- 8. FINISH:
BODY - NICKEL PLATE 0.00762[.000300]
MIN EXT THK PER SAE AMS-QQ-N-290
- 9. "O" STAMP MARK OPTIONAL

5	5000	ON TAPE, REEL	2-322375-1
	1000	LOOSE PIECE	322375
	QTY	PACKAGE TYPE	PART NO

AMP INCORPORATED
CUSTOMER SERVICE SYSTEMS

THIS DRAWING IS A CONTROLLED DOCUMENT.

DWN	L OLMEDA	10OCT94
CHK	M ELLIS	10OCT94
APVD	S BORTNER	10OCT94
PRODUCT SPEC	-	
APPLICATION SPEC	-	
WEIGHT	-	



TERMINAL, RING TONGUE,
STRATO-THERM, DIAMOND GRIP,
WIRE SIZE: 16-14 AWG

FOR ADDITIONAL PRODUCT INFORMATION OR COPIES OF DRAWINGS AND TECHNICAL DOCUMENTS	PRODUCT INFORMATION CENTER 1-800-522-6752	MAX RECOMMENDED OPERATING TEMPERATURE: 343°C [650°F]
FOR APPLICATION TOOLING INFORMATION	TOOLING ASSISTANCE CENTER 1-800-722-1111	
FOR ORDER ENTRY	1-800-526-5142	VOLTAGE RATING: NOT APPLICABLE
		CIRCULAR MILL AREA: 1.04mm²-2.62mm²[2050-5180] STRANDED WIRE

DIMENSIONS: mm [INCHES]	TOLERANCES UNLESS OTHERWISE SPECIFIED:
	0 PLC ± -
	1 PLC ± -
	2 PLC ± -
	3 PLC ± 0.127[.005]
	4 PLC ± -
	ANGLES ± -
MATERIAL	FINISH
7	8

SIZE	CAGE CODE	DRAWING NO	RESTRICTED TO
A3	00779	C-322375	-
CUSTOMER DRAWING		SCALE 6:1	SHEET 1 OF 1
		REV H	