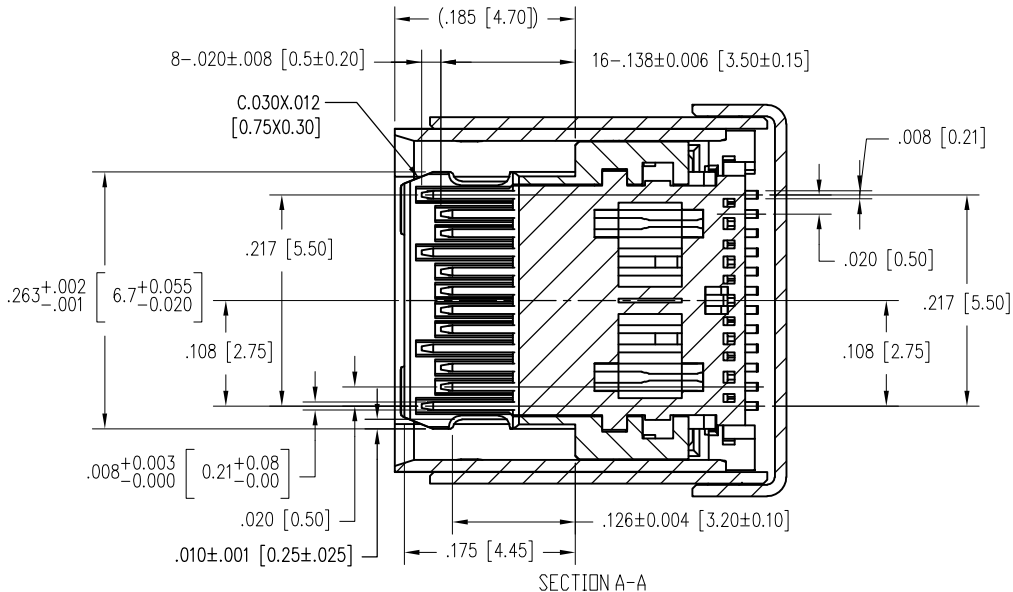
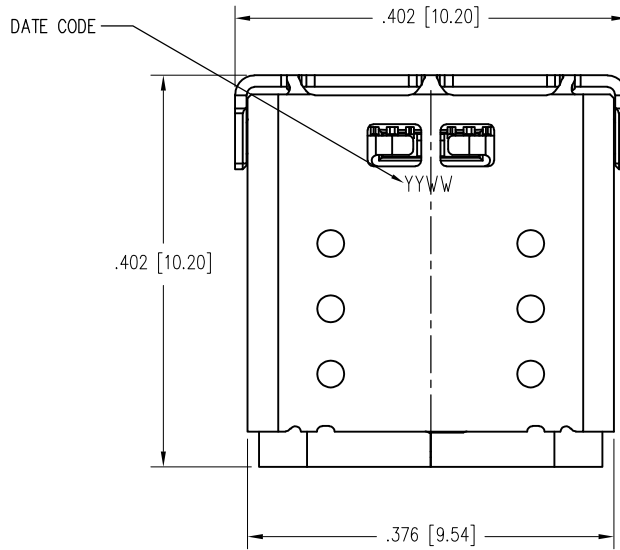
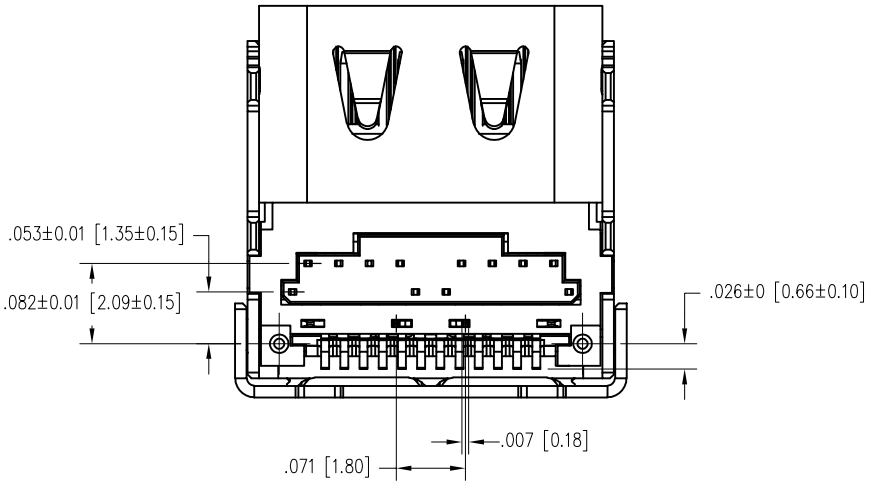
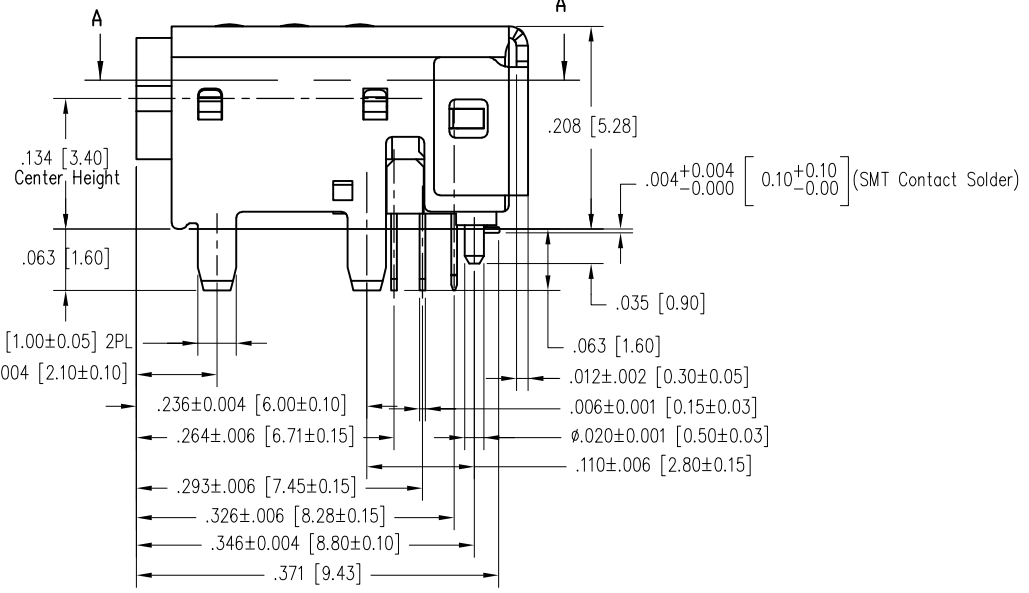
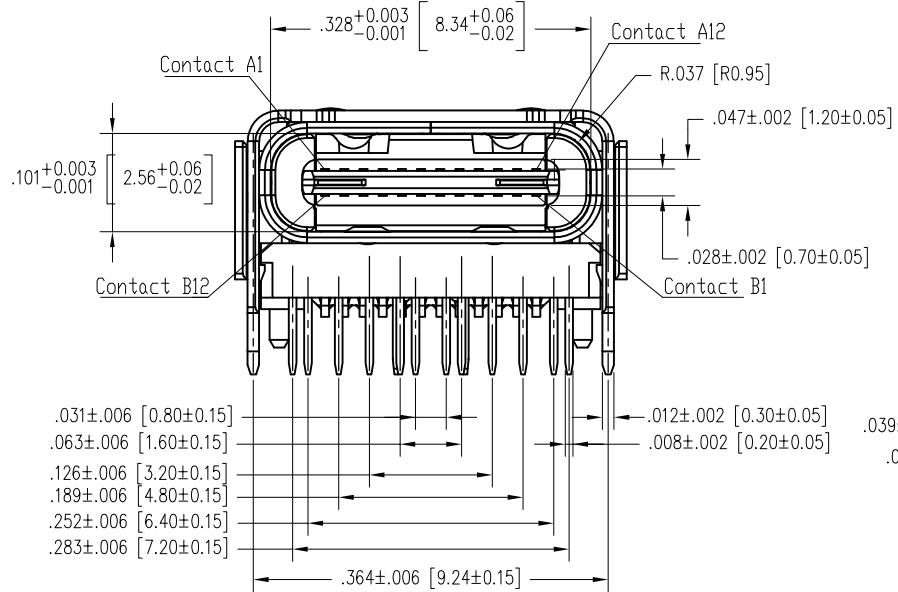


DATE	REV	ECN	APP'D. BY
4/19/2021	A0	-	GWL



NOTE:

- Material
HOUSING: THERMOPLASTIC, RATED UL94V-0
CONTACTS: COPPER ALLOY
SHELL: STAINLESS STEEL
CONTACT PLATING:
UNDERPLATE: 50u"-80u" NICKEL
CONTACT AREA: SEE CHART
SOLDER TAILS: 100u"-150u" TIN (MATTE)
 - ELECTRICAL
OPERATION VOLTAGE: 20V
CURRENT RATING: 7 AMPS MAX.
CONTACT RESISTANCE: 40 MOHMS MIN @100VDC
DIELECTRIC WITHSTANDING VOLTAGE: 100VAC/ 1 MINUTE
 - ENVIRONMENTAL:
TEMPERATURE RANGE: -20° TO +105°
MATING CYCLES: 10,000 INSERTIONS
- CONNECTOR IS FULLY COMPATIBLE WITH USC TYPE C 3.1 GEN 2 CONNECTOR SPEC.



30 MICRO-INCHES [0.76um]	SS-52400-005
CONTACT PLATING IN MATING AREA	PART NUMBER

THIRD ANGLE PROJECTION

DRAWING IS SUBJECT TO CHANGE WITHOUT NOTICE

UNLESS OTHERWISE SPECIFIED DIMENSIONS INCHES [METRIC] TOLERANCES ARE:

ANGLES ± 1°

.XX [.X] ±.010" [±0.25]

.XXX [.XX] ±.008" [±0.20]

.XXXX [.XXX] ±.004" [±0.10]

DO NOT SCALE DRAWING

SHEET NO. 1 OF 3



stewart CONNECTOR a bel group

1118 Susquehanna Trail South
Glen Rock, PA 17327-9199
(717) 235-7512
<http://www.stewartconnector.com>

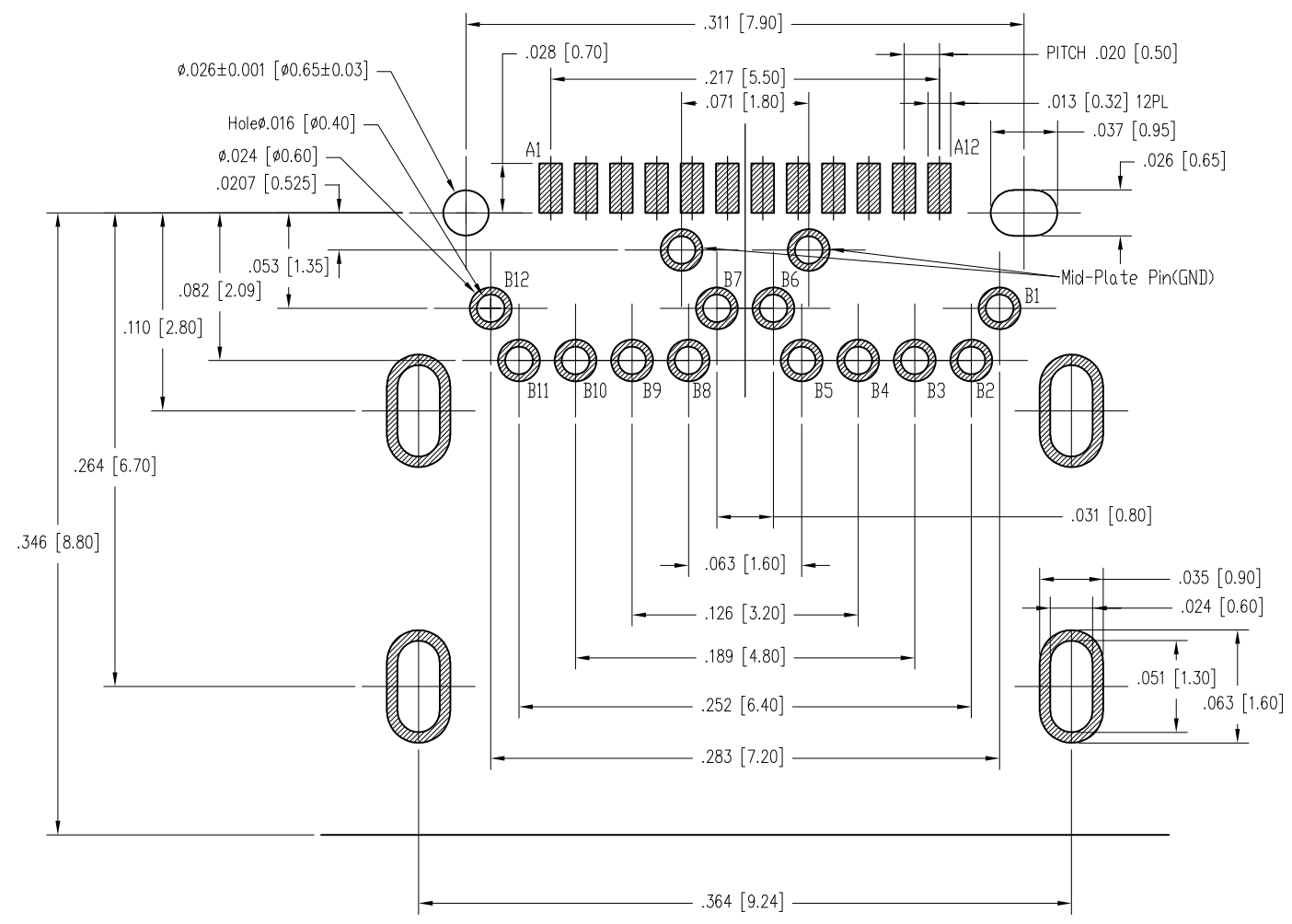
TITLE: USB4 (Type C) R/Angle Receptacle 1.6mm Tail Length

THIS DRAWING AND THE SUBJECT MATTER SHOWN THEREON ARE CONFIDENTIAL AND THE PROPRIETARY PROPERTY OF STEWART CONNECTOR AND SHALL NOT BE REPRODUCED, COPIED, OR USED IN ANY MANNER WITHOUT PRIOR WRITTEN CONSENT OF STEWART CONNECTOR. ONE OR MORE U.S. PATENTS MAY APPLY TO THIS PRODUCT. FOR DETAILS, PLEASE VISIT: [HTTP://BELFUSE.COM/STEWART/STEWART_PATENTS/](http://BELFUSE.COM/STEWART/STEWART_PATENTS/)

DRN BY: JE	DATE 4/15/2021
APPD BY: GWL	DATE 4/19/2021
DWG NO. CT520014	REV. A0

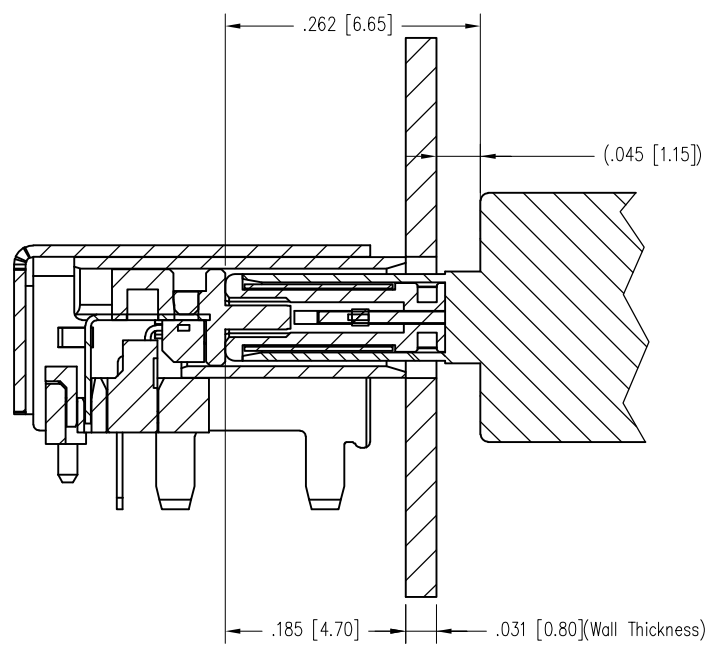
USB TYPE -C Pin Assignments			
Pin Number	Signal Name	Pin Number	Signal Name
A1	GND	B12	GND
A2	SSTXp1	B11	SSRXp1
A3	SSTXn1	B10	SSRXn1
A4	VBUS	B9	VBUS
A5	CC1	B8	SBU2
A6	Dp1	B7	Dn2
A7	Dn1	B6	Dp2
A8	SBU1	B5	CC2
A9	VBUS	B4	VBUS
A10	SSRXn2	B3	SSTXn2
A11	SSRXp2	B2	SSTXp2
A12	GND	B1	GND

B



RECOMMENDED PCB LAYOUT
 TOLERANCE ± 002 [0.05]
 PCB THICKNESS = .063 [1.6]

B

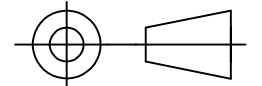


A

A



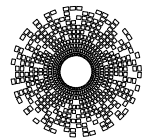
THIRD ANGLE PROJECTION



DRAWING IS SUBJECT TO CHANGE WITHOUT NOTICE

UNLESS OTHERWISE SPECIFIED DIMENSIONS INCHES [METRIC] TOLERANCES ARE:
 ANGLES $\pm 1^\circ$
 .XX [.X] ± 0.010 " [± 0.25]
 .XXX [.XX] ± 0.008 " [± 0.20]
 .XXXX [.XXX] ± 0.004 " [± 0.10]
 DO NOT SCALE DRAWING

SHEET NO. 2 OF 3



stewart
 CONNECTOR
 a bel group

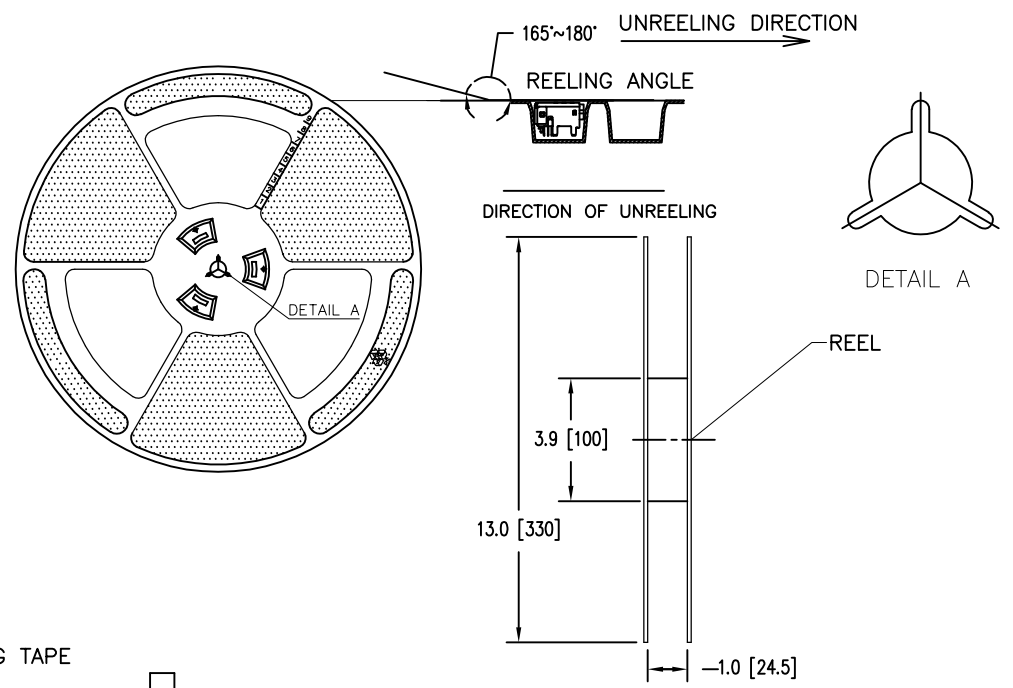
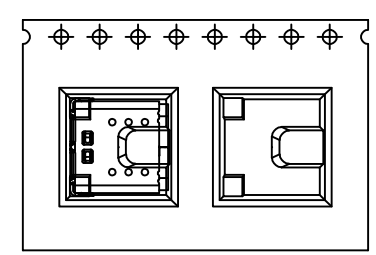
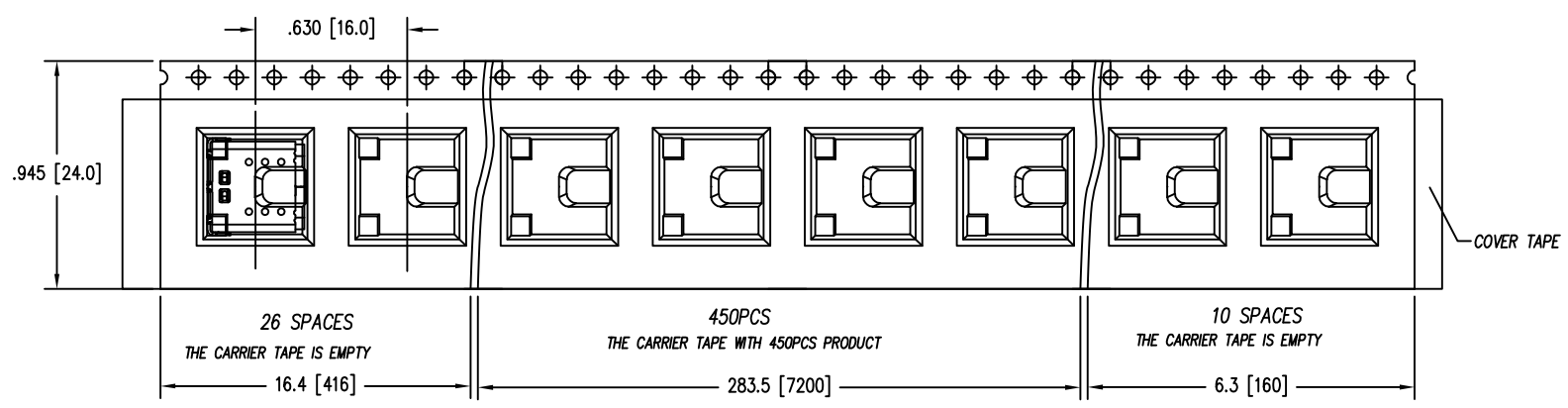
11118 Susquehanna Trail South
 Glen Rock, PA 17327-9199
 (717) 235-7512

<http://www.stewartconnector.com>

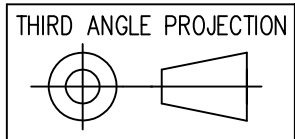
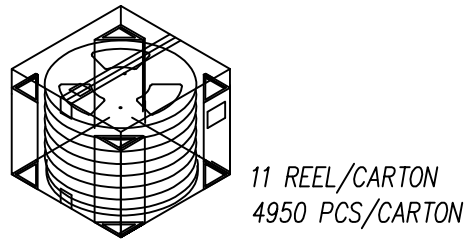
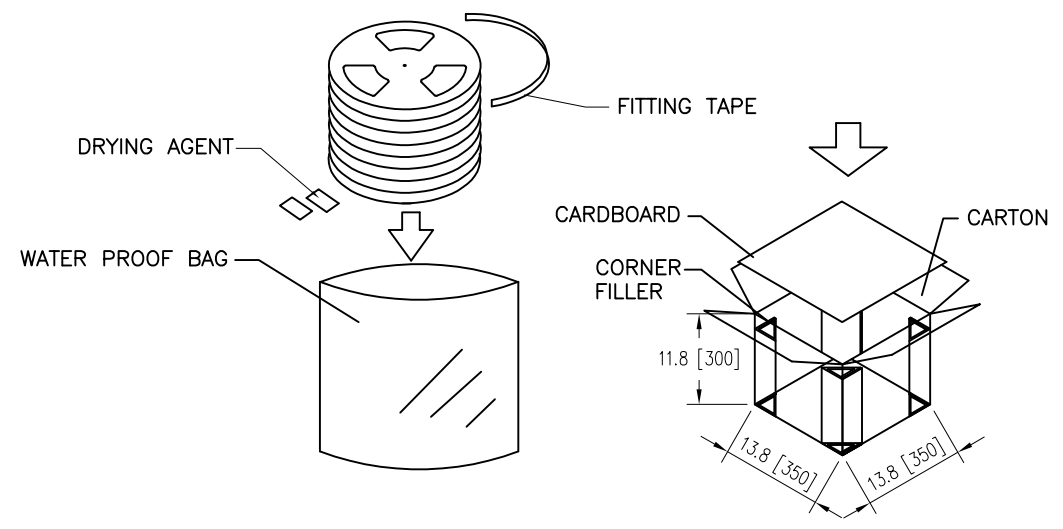
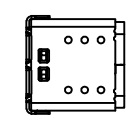
TITLE: USB4 (Type C) R/Angle Receptacle 1.6mm Tail Length

THIS DRAWING AND THE SUBJECT MATTER SHOWN THEREON ARE CONFIDENTIAL AND THE PROPRIETARY PROPERTY OF STEWART CONNECTOR AND SHALL NOT BE REPRODUCED, COPIED, OR USED IN ANY MANNER WITHOUT PRIOR WRITTEN CONSENT OF STEWART CONNECTOR. ONE OR MORE U.S. PATENTS MAY APPLY TO THIS PRODUCT. FOR DETAILS, PLEASE VISIT: [HTTP://BELFUSE.COM/STEWART/STEWART_PATENTS/](http://BELFUSE.COM/STEWART/STEWART_PATENTS/)

DRN BY: JE	DATE 4/15/2021
APPD BY: GWL	DATE 4/19/2021
DWG NO. CT520014	REV. A0



Conn. TYPE



DRAWING IS SUBJECT TO CHANGE WITHOUT NOTICE

UNLESS OTHERWISE SPECIFIED DIMENSIONS INCHES [METRIC] TOLERANCES ARE:

ANGLES ± 1°

.XX [.X] ±.010" [±0.25]

.XXX [.XX] ±.008" [±0.20]

.XXXX [.XXX] ±.004" [±0.10]

DO NOT SCALE DRAWING

SHEET NO. 3 OF 3

1118 Susquehanna Trail South
Glen Rock, PA 17327-9199
(717) 235-7512
<http://www.stewartconnector.com>

stewart
CONNECTOR
a bel group

TITLE: USB4 (Type C) R/Angle Receptacle 1.6mm Tail Length

THIS DRAWING AND THE SUBJECT MATTER SHOWN THEREON ARE CONFIDENTIAL AND THE PROPRIETARY PROPERTY OF STEWART CONNECTOR AND SHALL NOT BE REPRODUCED, COPIED, OR USED IN ANY MANNER WITHOUT PRIOR WRITTEN CONSENT OF STEWART CONNECTOR. ONE OR MORE U.S. PATENTS MAY APPLY TO THIS PRODUCT. FOR DETAILS, PLEASE VISIT: [HTTP://BELFUSE.COM/STEWART/STEWART_PATENTS/](http://BELFUSE.COM/STEWART/STEWART_PATENTS/)

DRN BY: JE	DATE 4/15/2021
APPD BY: GWL	DATE 4/19/2021
DWG NO. CT520014	REV. A0