



### Electrical Specifications

**Center Frequency:** 25 MHz  
**Bandwidth:** 2.5 MHz  
**Passband :** 23.75 MHz to 26.25 MHz  
**Insertion Loss:** <2dB @ 23.75 MHz to 26.25 MHz  
**Return Loss:** >14dB @ 24 MHz to 26 MHz  
**Rejection:** >50dB @ 0-21.25 MHz  
**Rejection:** >50dB @ 28.75 MHz to 200 MHz  
**Impedance:** 50 Ohms

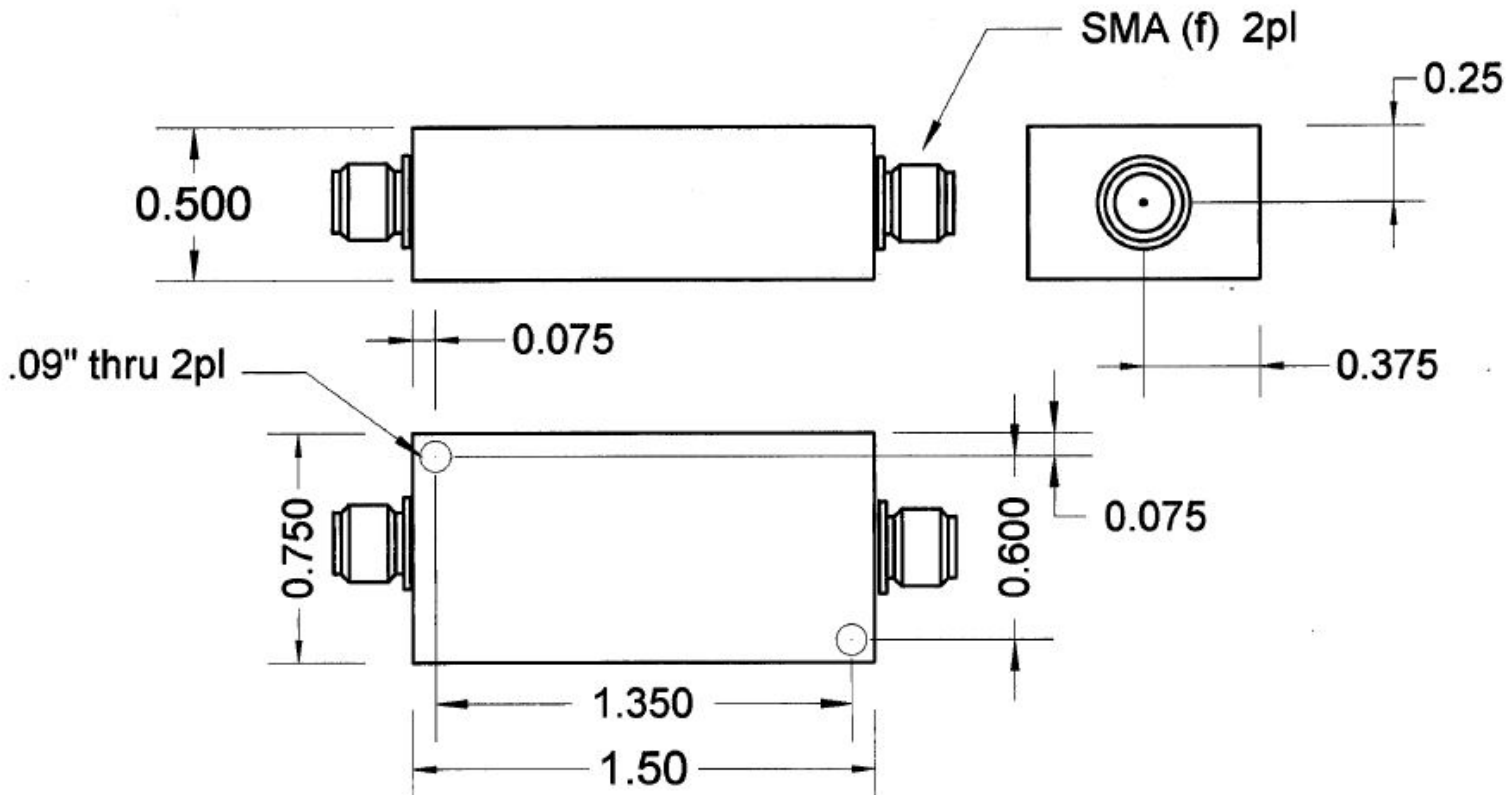
### Mechanical

**Mounting Method:** Through Holes  
**Connector Type:** SMA(F)  
**Dimensions:** 1.5" x 0.75" x 0.5" in.

### Environmental

**Operating Temperature:** -25°C to +70°C  
**Storage Temperature:** -40°C to +90°C  
**Shock:** 10 G. 11ms  
**Vibration:** 10 G. 5 to 200Hz

### Outline Drawing:





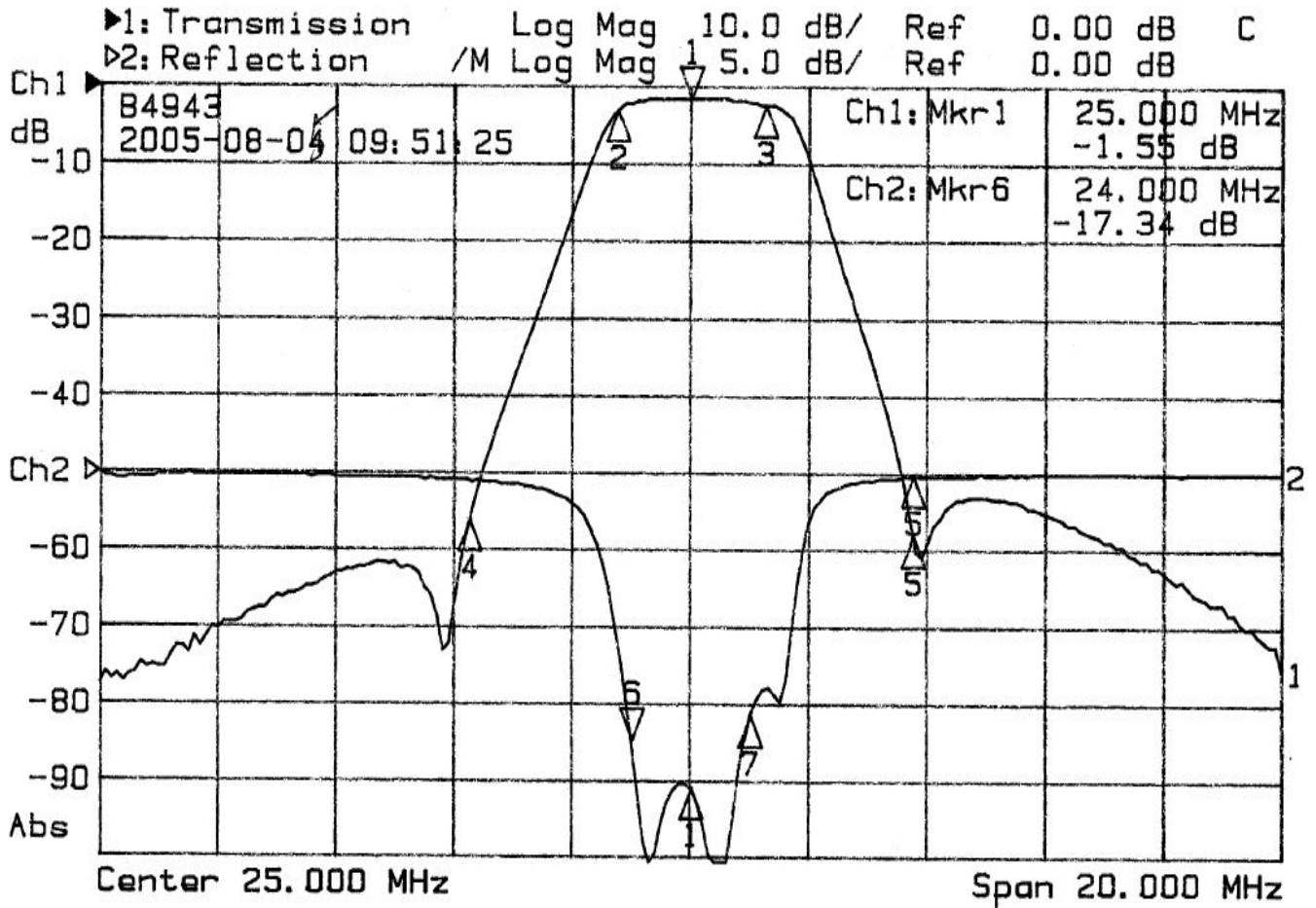
**ANATECH ELECTRONICS INC**  
RF & Microwave Filters & Products

# 25 MHz LC Bandpass Filter

Part Number: AE25B4943



## Response Plot:



| 1: Mkr (MHz) | dB     | 2: Mkr (MHz) | dB     |
|--------------|--------|--------------|--------|
| 1> 25.00     | -1.55  | 1: 25.00     | -20.54 |
| 2: 23.75     | -3.19  |              |        |
| 3: 26.25     | -2.39  |              |        |
| 4: 21.25     | -56.22 |              |        |
| 5: 28.75     | -58.17 | 5: 28.75     | -0.20  |
|              |        | 6> 24.00     | -17.34 |
|              |        | 7: 26.00     | -15.76 |



*Handwritten signature*