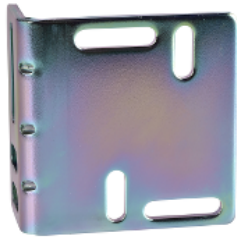


Product data sheet

Specifications



Photoelectric sensors XU, accessory for sensor, XUX, fixing bracket, metal

XUZX2000

Main

Range of product	Telemecanique Photoelectric sensors XU
Accessory / separate part category	Mounting and fixing accessories
Accessory / separate part type	Fixing bracket
Accessory / separate part designation	Fixing bracket
Accessory / separate part destination	Compact 92 x 71 mm sensor
Material	Metal

Complementary

Product compatibility	XUX
Net weight	0.065 kg

Packing Units

Unit Type of Package 1	PCE
Number of Units in Package 1	1
Package 1 Height	3.0 cm
Package 1 Width	6.5 cm
Package 1 Length	6.5 cm
Package 1 Weight	128.0 g
Unit Type of Package 2	S01
Number of Units in Package 2	44
Package 2 Height	15 cm
Package 2 Width	15 cm
Package 2 Length	40 cm
Package 2 Weight	5.908 kg
Unit Type of Package 3	P06
Number of Units in Package 3	1408
Package 3 Height	75 cm
Package 3 Width	60 cm

Package 3 Length	80 cm
Package 3 Weight	228 kg

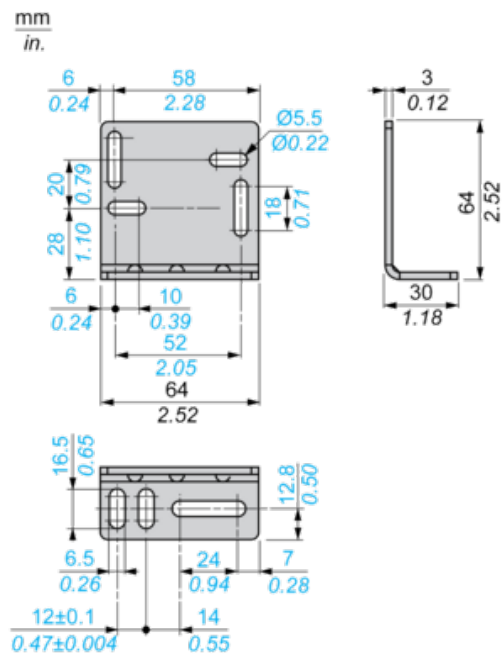
Offer Sustainability

Sustainable offer status	Green Premium product
REACH Regulation	REACH Declaration
EU RoHS Directive	Pro-active compliance (Product out of EU RoHS legal scope) EU RoHS Declaration
Mercury free	Yes
RoHS exemption information	Yes
Environmental Disclosure	Product Environmental Profile
Circularity Profile	End of Life Information
California proposition 65	WARNING: This product can expose you to chemicals including: Diisononyl phthalate (DINP), which is known to the State of California to cause cancer, and Di-isodecyl phthalate (DIDP), which is known to the State of California to cause birth defects or other reproductive harm. For more information go to www.P65Warnings.ca.gov

Contractual warranty

Warranty	18 months
-----------------	-----------

Dimensions



Recommended replacement(s)